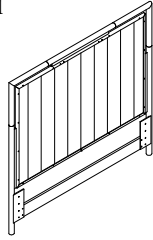


**Hardware and Parts packed with the Headboard**

Headboard Panel

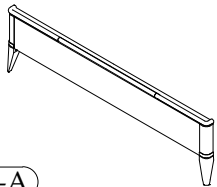


(H-A)

1 pc.

**Hardware and Parts packed with the Footboard**

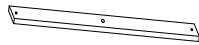
Queen Footboard



(F-A)

1 pc.

5/0 Wood Slat  
61" Long



(F-B)

4 pcs.

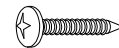
Slat Support Leg  
7-3/4" long  
with leveler



(F-C)

4 pcs.

#8 x 1" Wood Screw

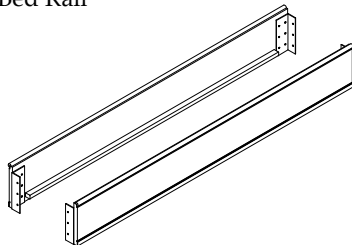


(F-D)

8 pcs.

**Hardware and Parts packed with the Bed Rails**

Bed Rail



(R-A)

2 pcs.

Ø5/16-18 x 1" Long  
Allen Head Bolt



(R-B)

10 pcs.

Ø5/16-18 x 1-3/4" Long  
Allen Head Bolt



(R-C)

2 pcs.

M5/16" Spring  
Washer



(R-D)

18 pcs.

M5/16" x 16\*2mm  
Flat Washer



(R-E)

18 pcs.

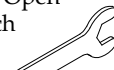
5/16-18 Hex Nut



(R-F)

6 pcs.

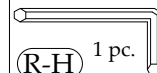
12mm Open  
Wrench



(R-G)

1 pc.

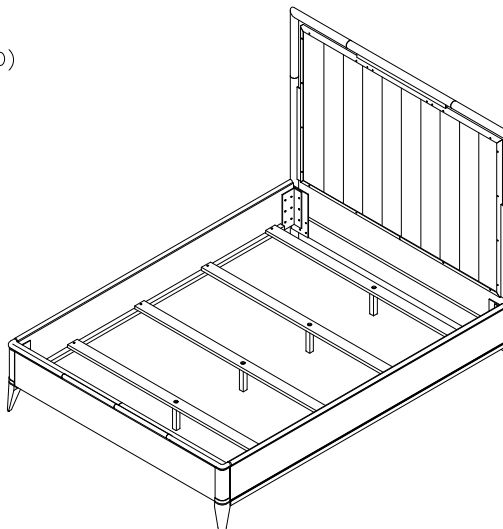
5mm Allen  
Wrench

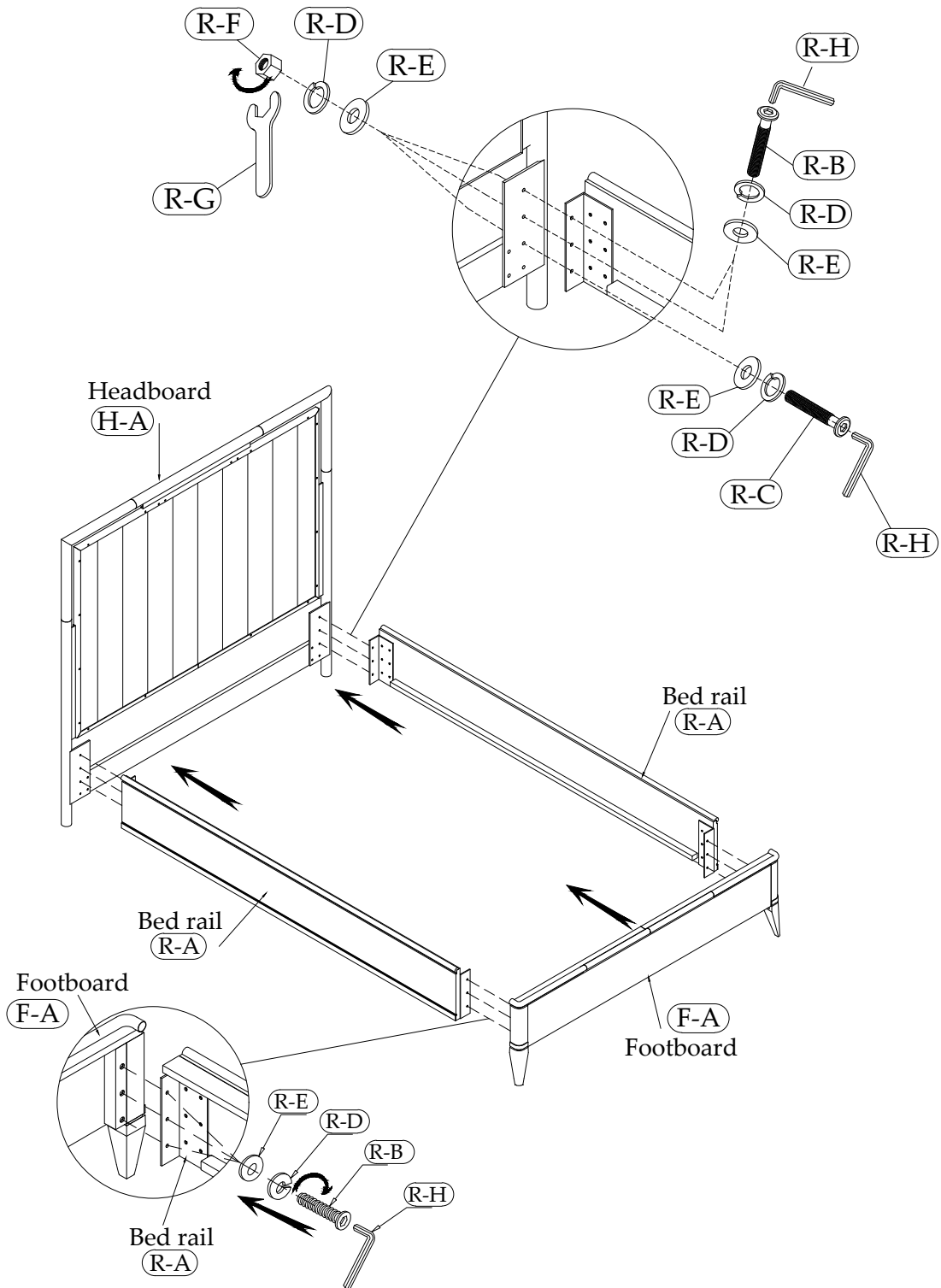


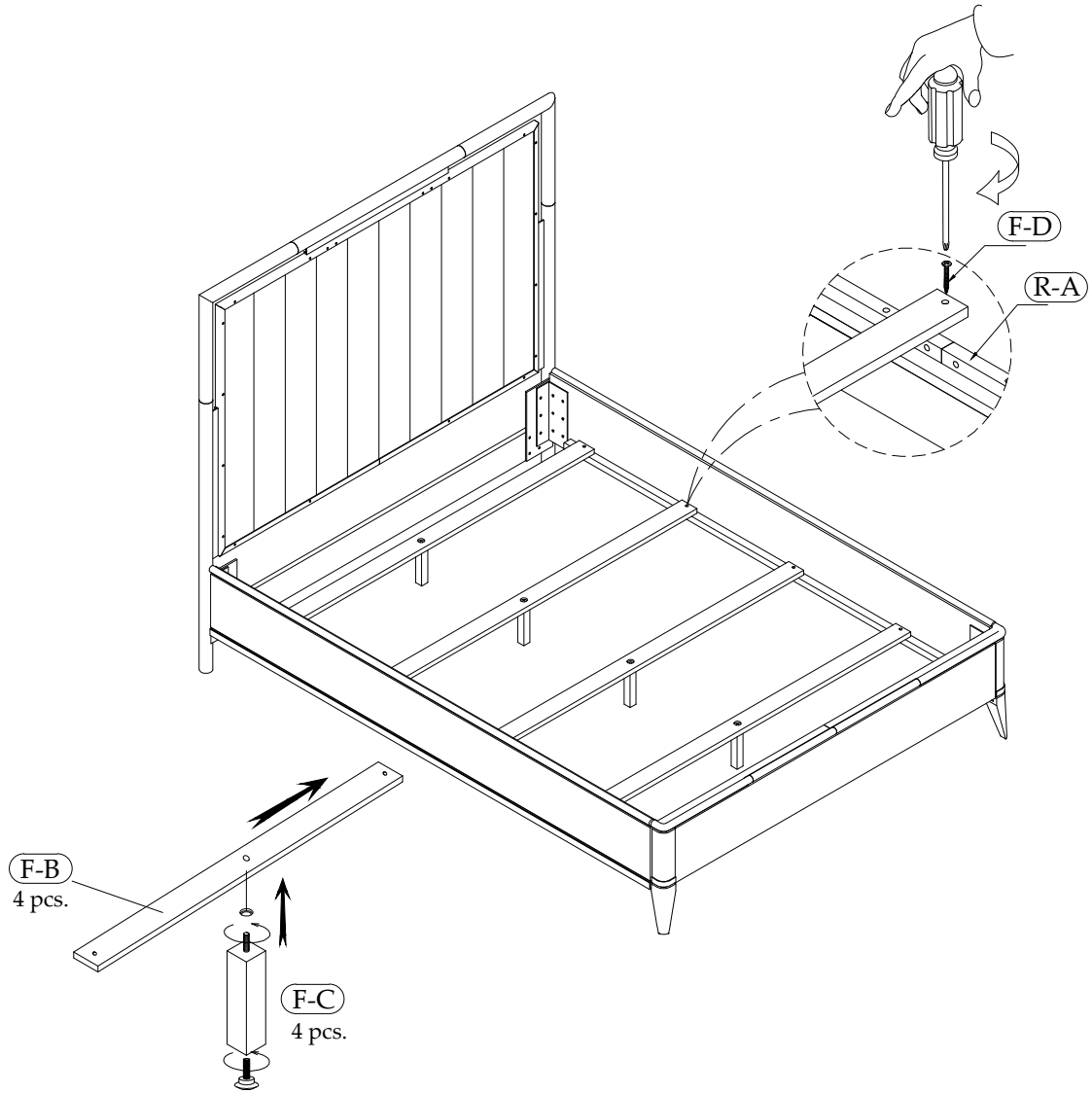
(R-H)

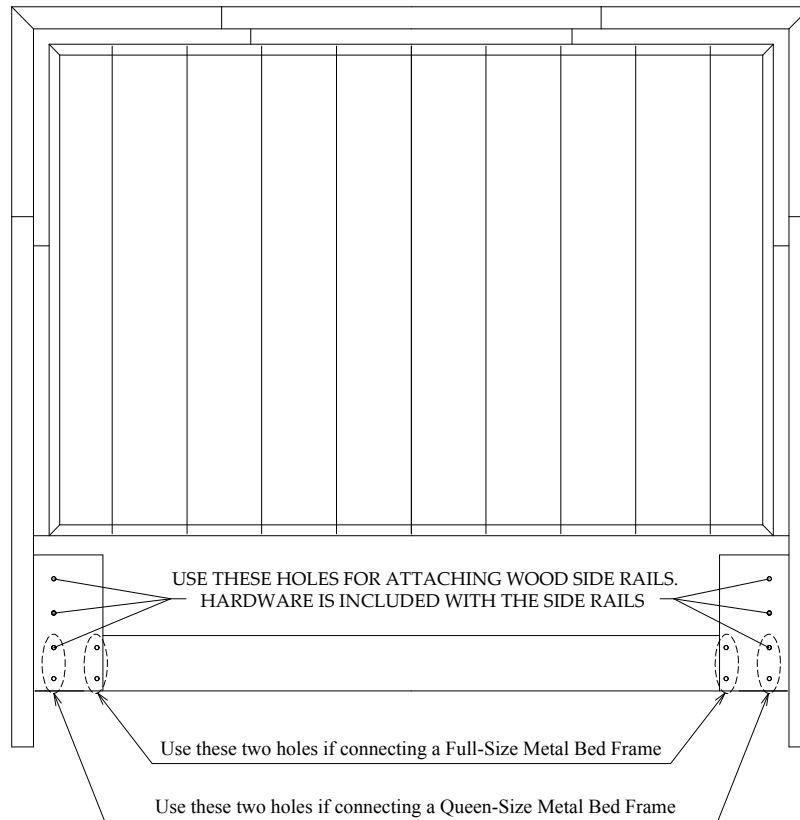
1 pc.

50370 4/6-5/0 PANEL HEADBOARD  
50371 5/0 PANEL FOOTBOARD  
50372 5/0-6/6 PANEL BED RAILS (FOR 5/0 BED)









4/6 - 5/0 Bed

*The Headboard may be used alone  
with a Queen or Full Size  
Metal Bed Frame*