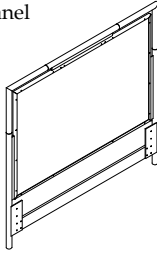


Hardware and Parts packed with the Headboard

Headboard Panel

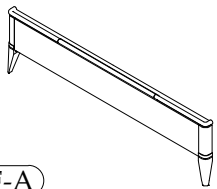


(H-A)

1 pc.

Hardware and Parts packed with the Footboard

Queen Footboard



(F-A)

1 pc.

6/0-6/6 Wood Slat
77" Long



(F-B)

4 pcs.

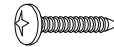
Slat Support Leg
7-3/4" long
with leveler



(F-C)

8 pcs.

#8 x 1" Wood Screw

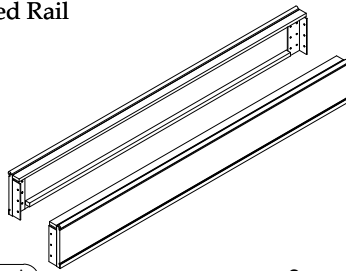


(F-D)

8 pcs.

Hardware and Parts packed with the Bed Rails

Bed Rail



(R-A)

2 pcs.

φ5/16-18 x 1" Long
Allen Head Bolt



(R-B)

10 pcs.

φ5/16-18 x 1-3/4" Long
Allen Head Bolt



(R-C)

2 pcs.

M5/16" Spring
Washer



(R-D)

18 pcs.

M5/16" x 16*2mm
Flat Washer



(R-E)

18 pcs.

5/16-18 Hex Nut



(R-F)

6 pcs.

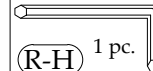
12mm Open
Wrench



(R-G)

1 pc.

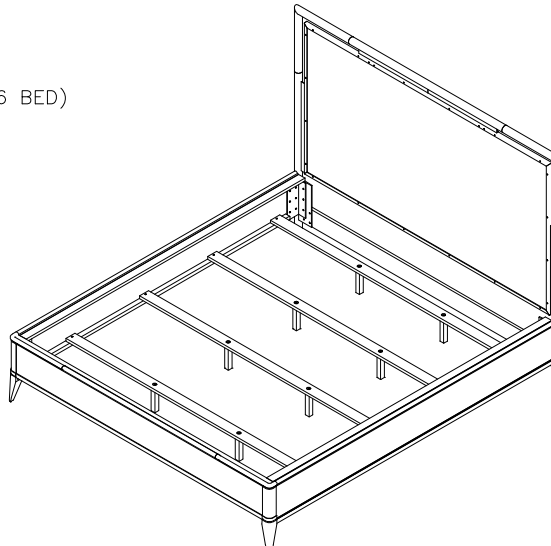
5mm Allen
Wrench

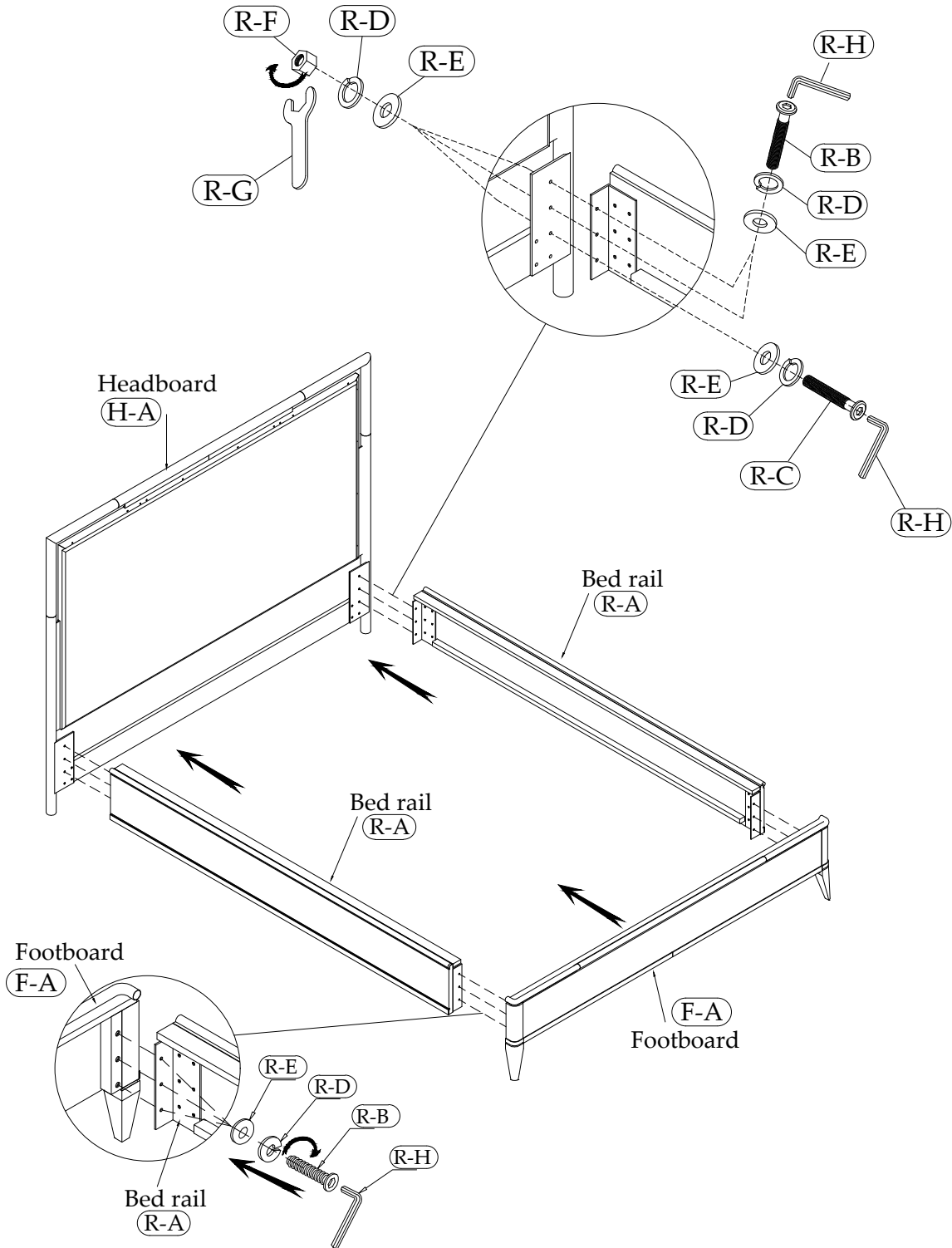


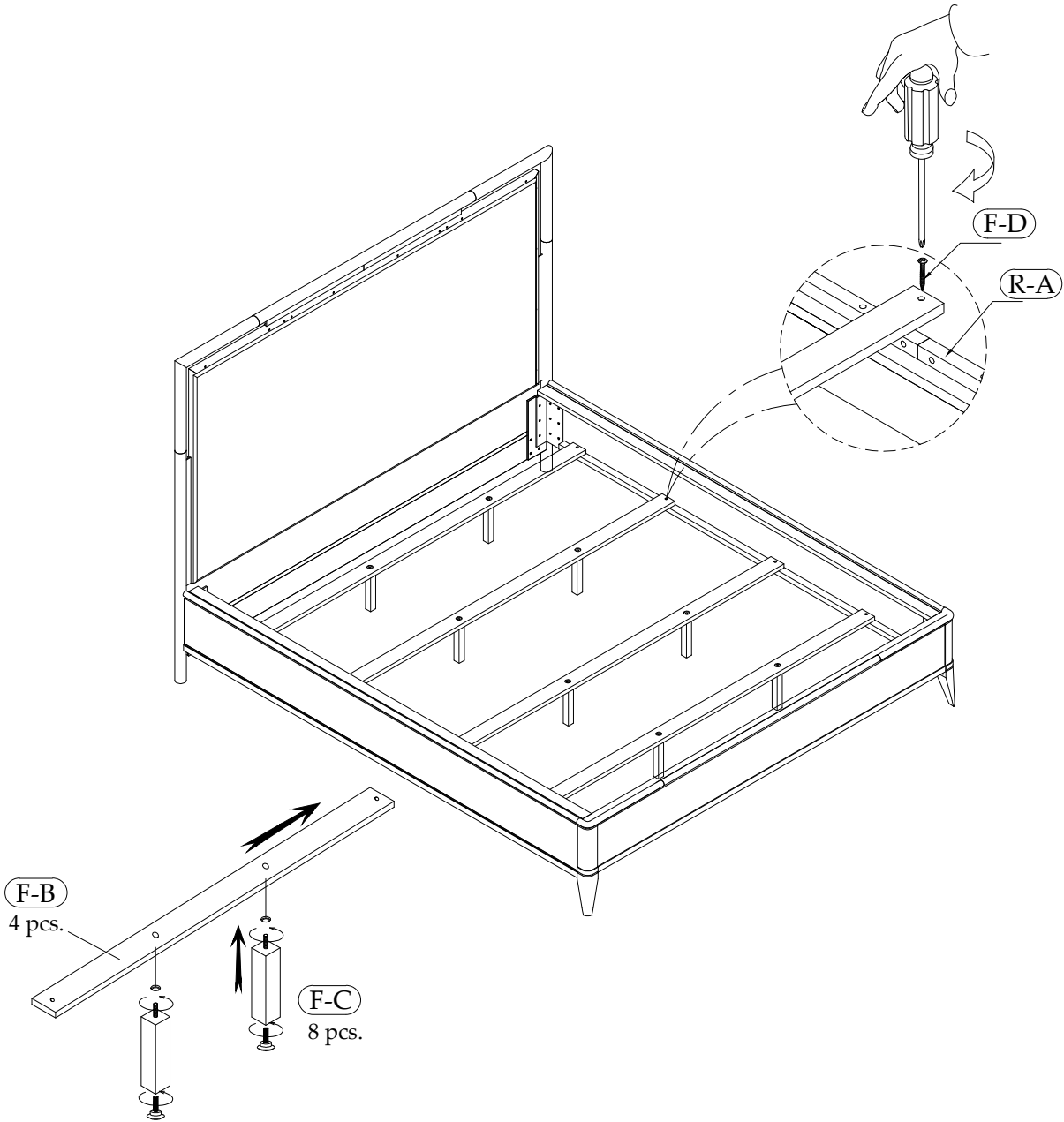
(R-H)

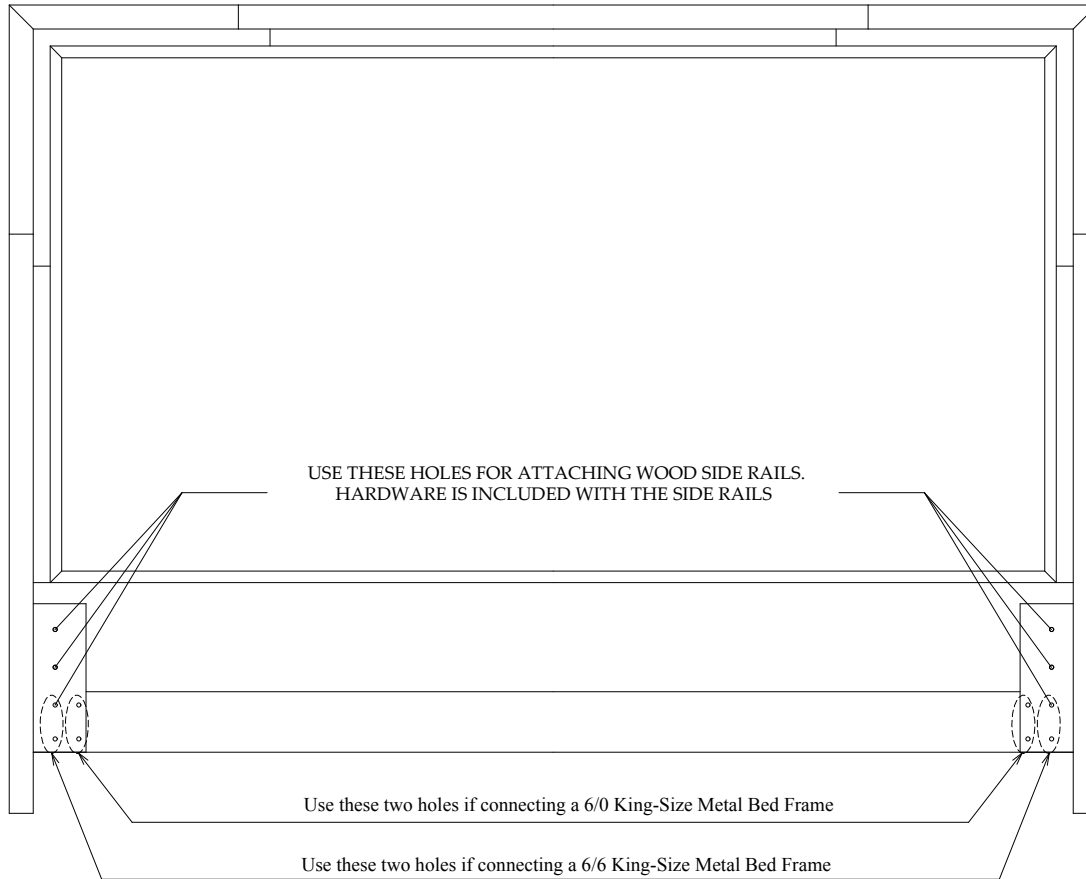
1 pc.

50378 6/0-6/6 UPH HEADBOARD
50381 6/0-6/6 PANEL FOOTBOARD
50382 6/0 PANEL BED RAILS
50372 5/0-6/6 BED RAILS (FOR 6/6 BED)









6/0 -6/6 King Upholstered Bed
The Headboard may be used alone with
an Eastern King or California King size
Metal Bed Frame