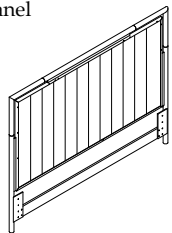
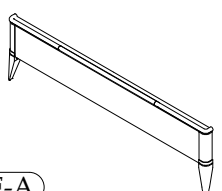


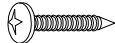


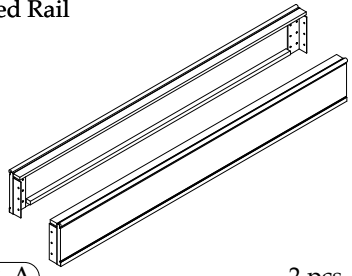
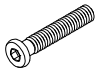
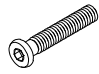




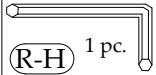
**Hardware and Parts packed with the Headboard**

<p>Headboard Panel</p>  <p>(H-A) 1 pc.</p>		
---	--	--

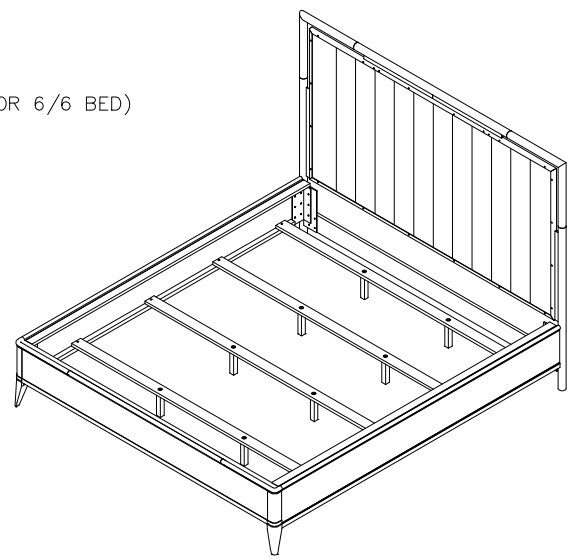
**Hardware and Parts packed with the Footboard**

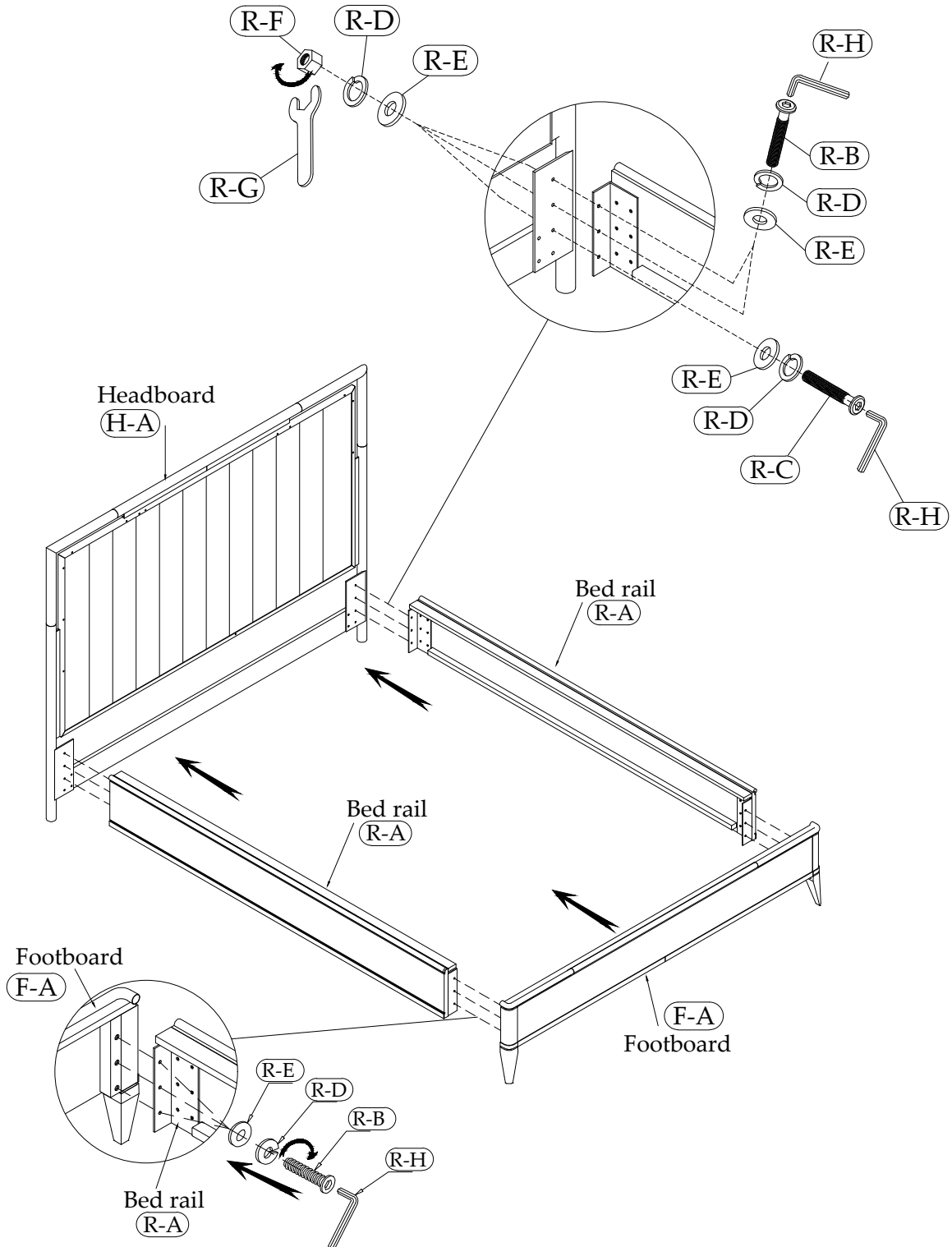
<p>Queen Footboard</p>  <p>(F-A) 1 pc.</p>	<p>6/0-6/6 Wood Slat 77" Long</p>  <p>(F-B) 4 pcs.</p>	<p>Slat Support Leg 7-3/4" long with leveler</p>  <p>(F-C) 8 pcs.</p>	<p>#8 x 1" Wood Screw</p>  <p>(F-D) 8 pcs.</p>
--	---	--	--

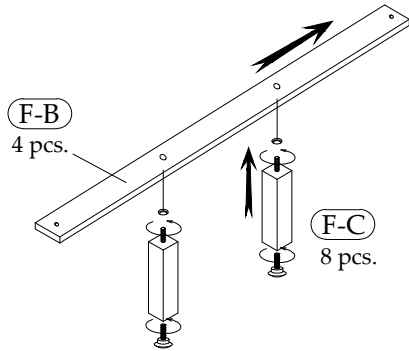
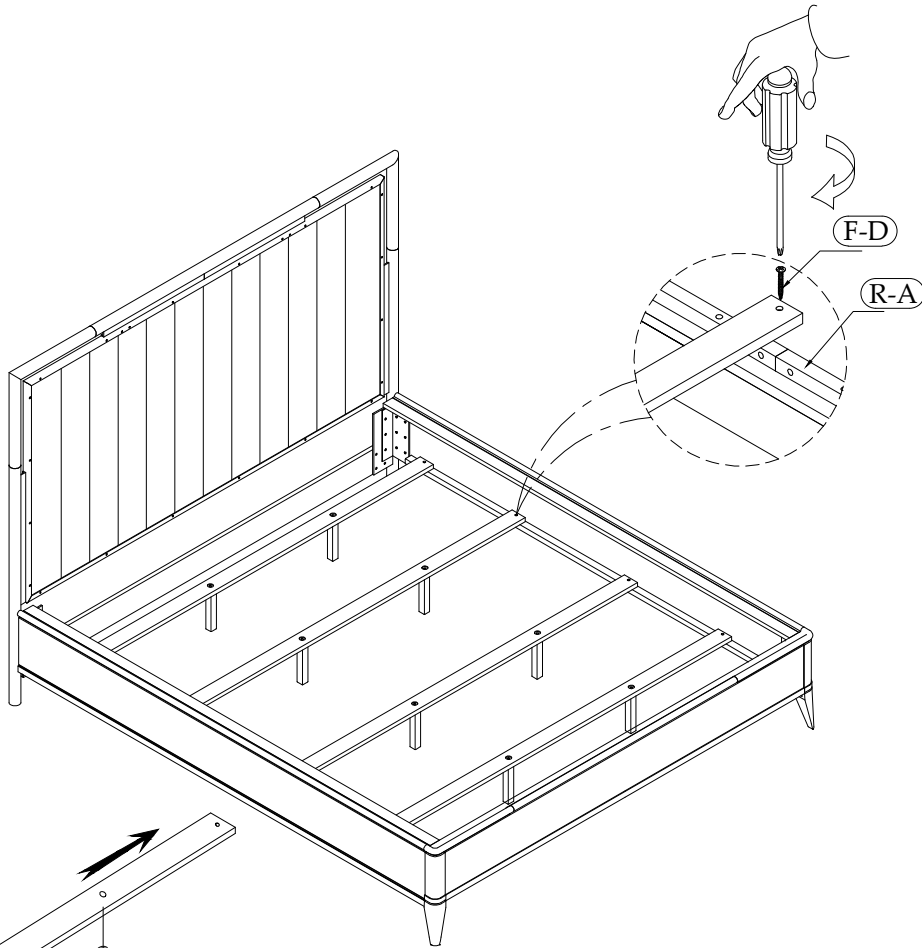
**Hardware and Parts packed with the Bed Rails**

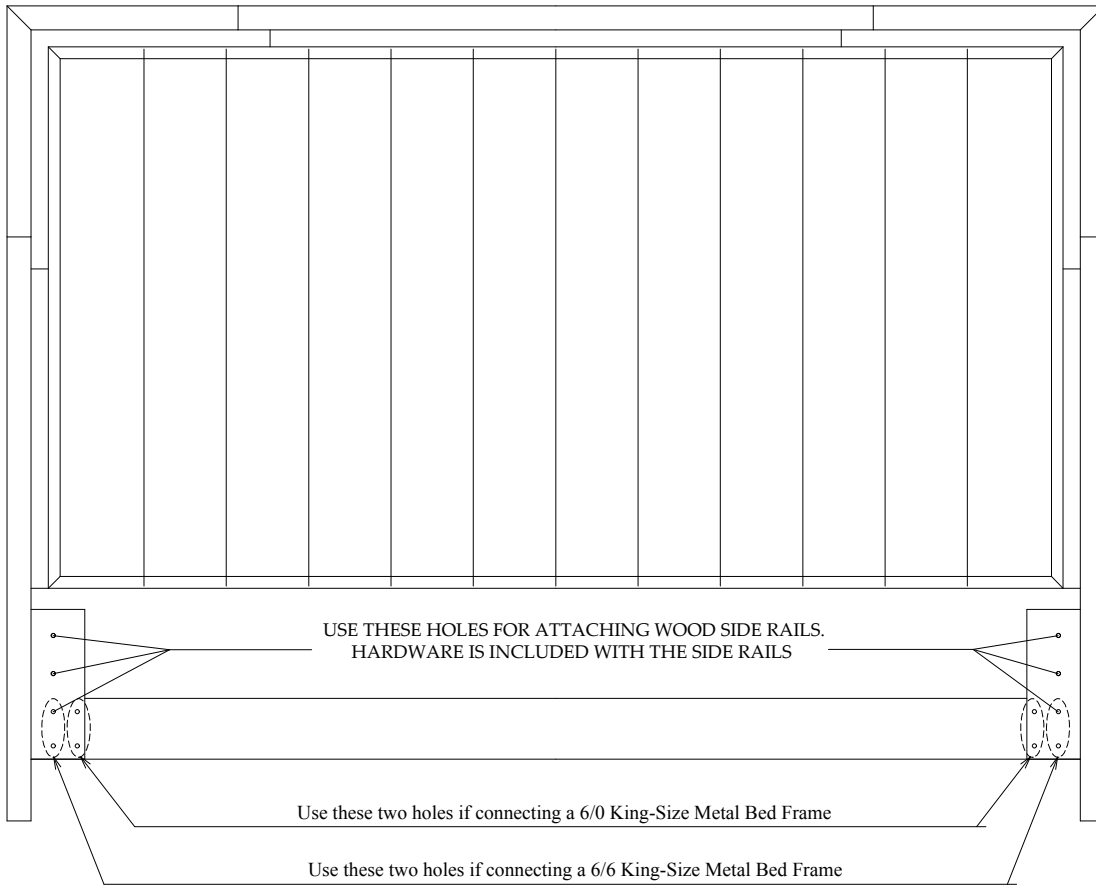
<p>Bed Rail</p>  <p>(R-A) 2 pcs.</p>	<p>Ø5/16-18 x 1" Long Allen Head Bolt</p>  <p>(R-B) 10 pcs.</p>	<p>Ø5/16-18 x 1-3/4" Long Allen Head Bolt</p>  <p>(R-C) 2 pcs.</p>	<p>M5/16" Spring Washer</p>  <p>(R-D) 18 pcs.</p>	<p>M5/16" x 16*2mm Flat Washer</p>  <p>(R-E) 18 pcs.</p>
	<p>5/16-18 Hex Nut</p>  <p>(R-F) 6 pcs.</p>	<p>12mm Open Wrench</p>  <p>(R-G) 1 pc.</p>	<p>5mm Allen Wrench</p>  <p>(R-H) 1 pc.</p>	

- 50380 6/0-6/6 Panel Headboard
- 50381 6/0-6/6 Panel Footboard
- 50382 6/0 Panel Bed Rails
- 50372 5/0-6/6 PANEL BED RAILS (FOR 6/6 BED)









6/0-6/6 Bed

*The Headboard may be used alone  
with an Eastern King or  
California King Size  
Metal Bed Frame*