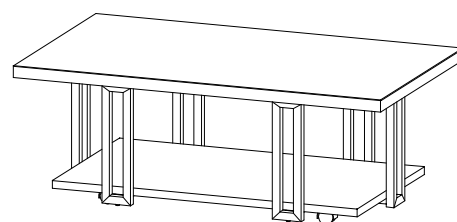


Components and Hardware List

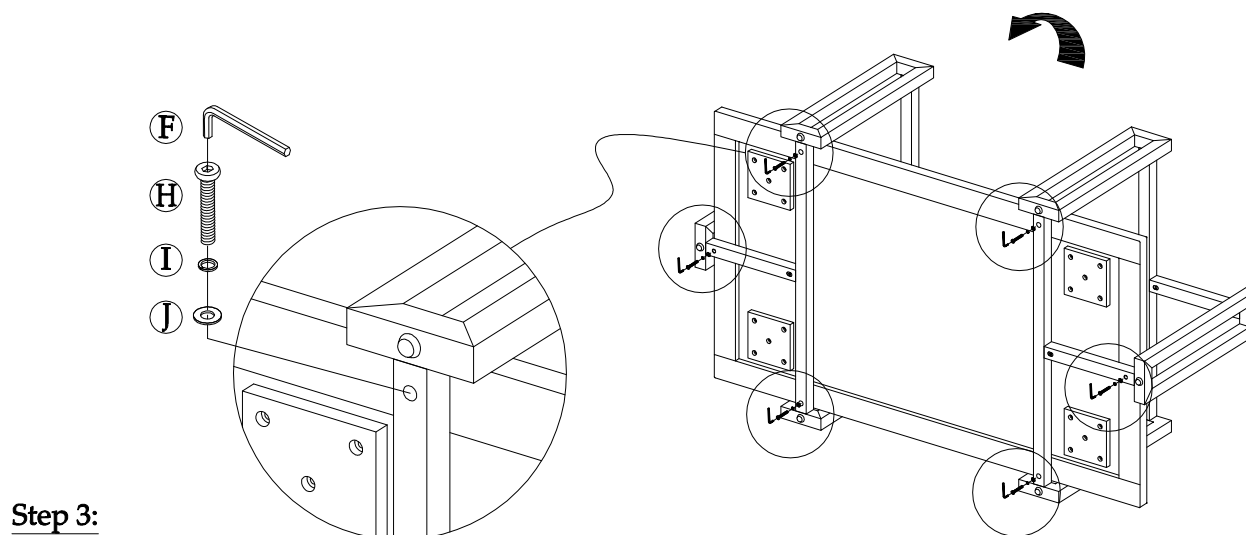
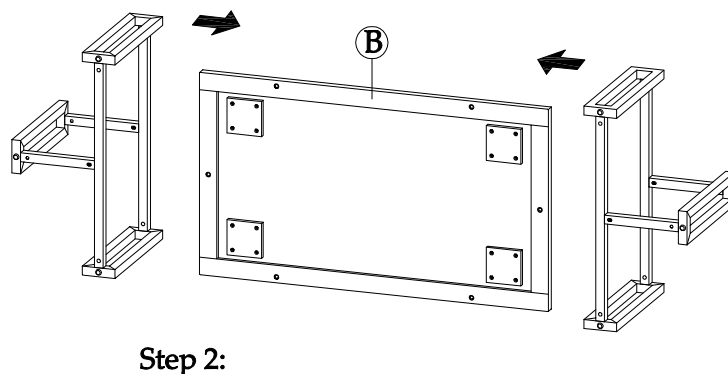
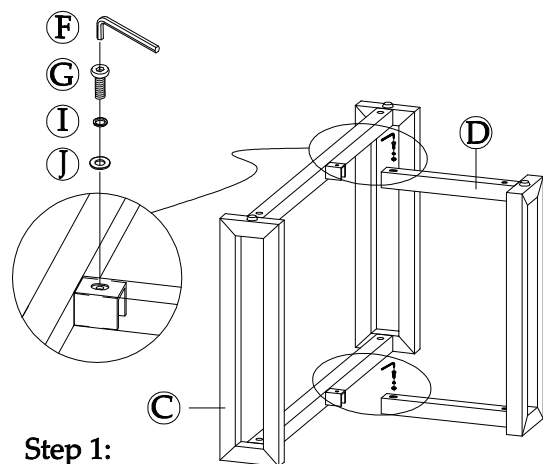
Table Top	Shelf	Center Leg	End Leg
1 pc.	1 pc.	2 pcs.	2 pcs.
Casters 4 pcs.	4mm Allen Key 1 pc.	1/4" - 20 x 16mm Allen Head Bolt 4 pcs.	1/4" - 20 x 40mm Long Allen Head Bolt 12 pcs.
1/4" - 12 x 1mm Spring Washer 16 pcs.	1/4" - 16 x 2mm Flat Washer 16 pcs.	Wrench (K17) 1 pc.	



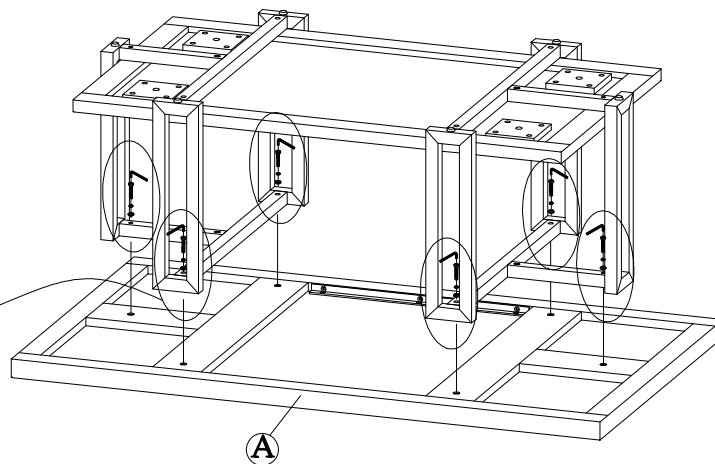
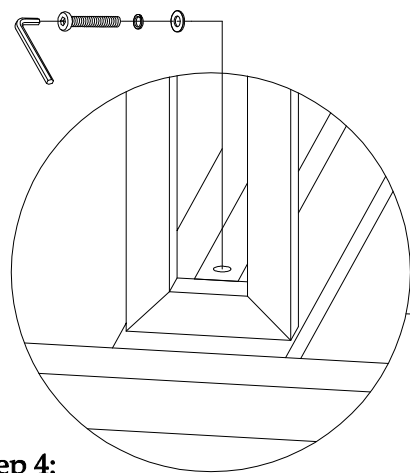
88002
Rectangle Cocktail Table

***** Note:**

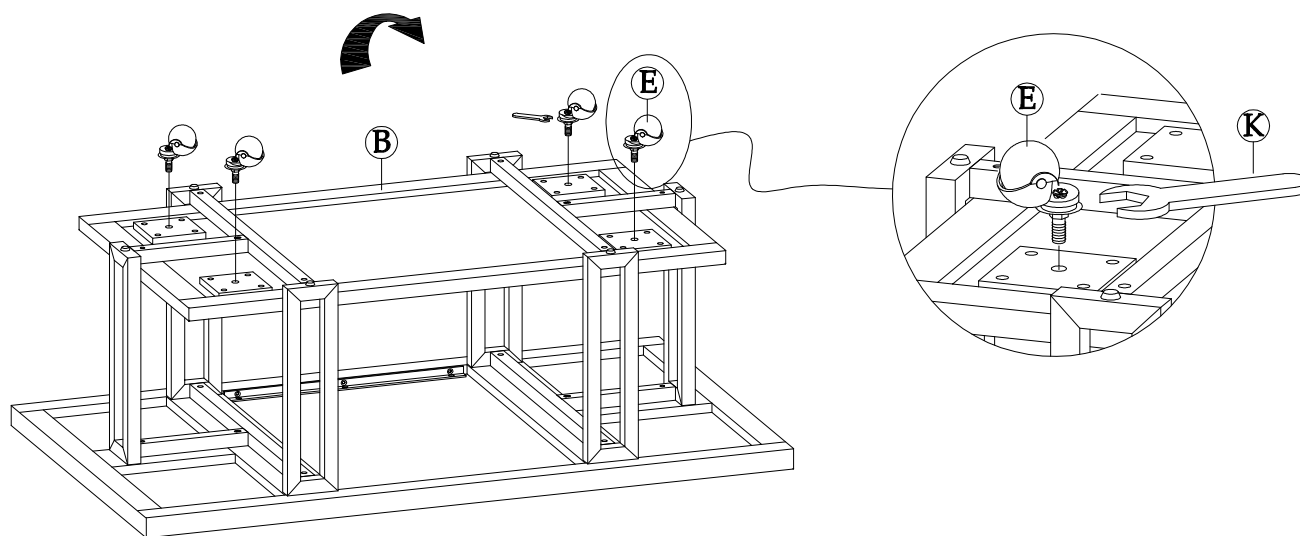
Check all packing material carefully for small parts, which may have come loose inside the carton during shipment. Do not discard any packing materials until the table has been completely assembled to prevent parts from being accidentally discarded. To prevent possible scratches and damages, assemble the table upside down on a soft surface such as a blanket, carpet or it's own packaging materials. Do not fully tighten the bolts until all steps have been completed and the parts adjusted for correct fit. Levelers are installed in the bottom of the legs and can be used to compensate for uneven flooring.



(F) (H) (I) (J)



Step 4:



Step 5:

