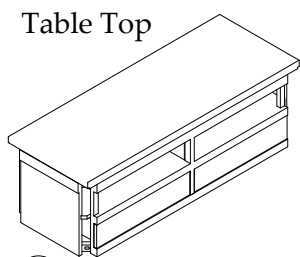
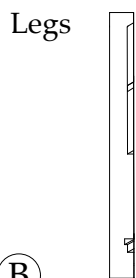


Components and Hardware List



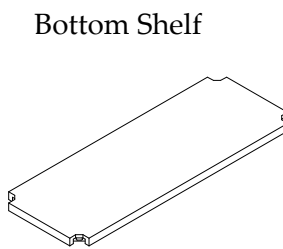
(A)

1 pc



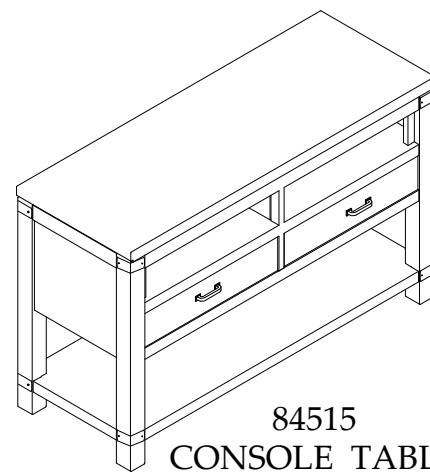
(B)

4 pcs



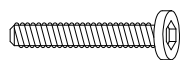
(C)

1 pc



84515  
CONSOLE TABLE

M5/16" x 2"  
Allen Head Bolt



(D)

12 pcs.

5/16" Spring  
Washer



(E)

12 pcs.

5/16" Flat  
Washer



(F)

12 pcs.

5mm Allen  
Wrench



(G)

1 pc.

Furniture Tipping  
Restraint Kit



(H)

1 pc.

5mm x 4"  
Wrench



(I)

1 pc.

Be sure to check all packing material carefully for small parts, which may have come loose inside the carton during shipment.

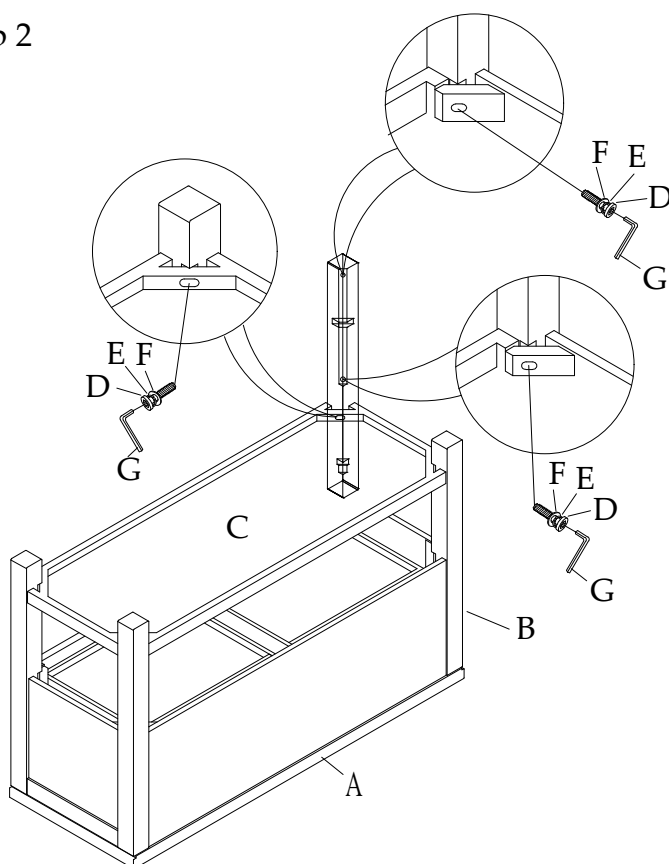
Step 1: Remove both drawers from the Table Top and lay them aside. Place the Table Top (A) upside down on a soft non-abrasive surface.

Step 2: Attach the Legs (B) to the underneath side of the Table Top with the 5/16" x 2" long Bolts (D), Spring Washers (E) and Flat Washers (F). Do not fully install Bolts until after Shelf is assembled. Attach the Bottom Shelf (C) to the Legs with the same bolts and washers as previous step. Tighten all Bolts using the Allen Wrench (G).

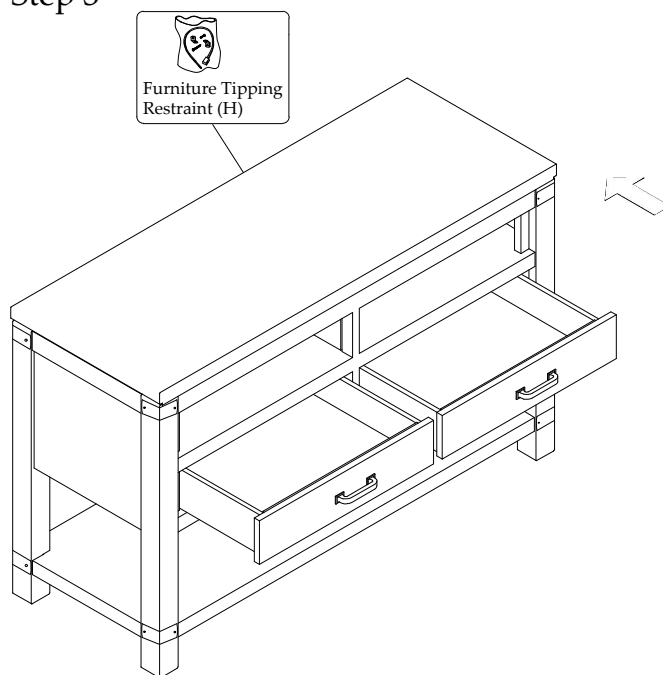
*Note: If the straight Wrench (I) is used in a power driver, use care to prevent Bolts from being over tightened and possibly damaging parts.*

Step 3: Carefully set the Table upright and reinstall the drawers into the Table Top.

Step 2



Step 3



For product and personal safety, an Anti-Tip Restraint kit has been included with this unit which can help to minimize the risk of the unit accidentally tipping forward, if used and properly installed per the manufacturer's instructions.