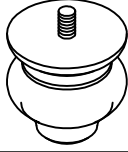

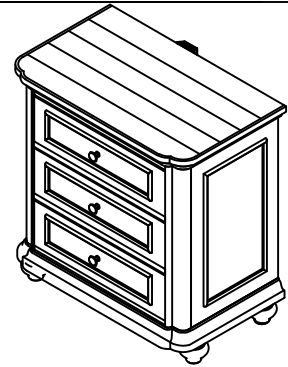


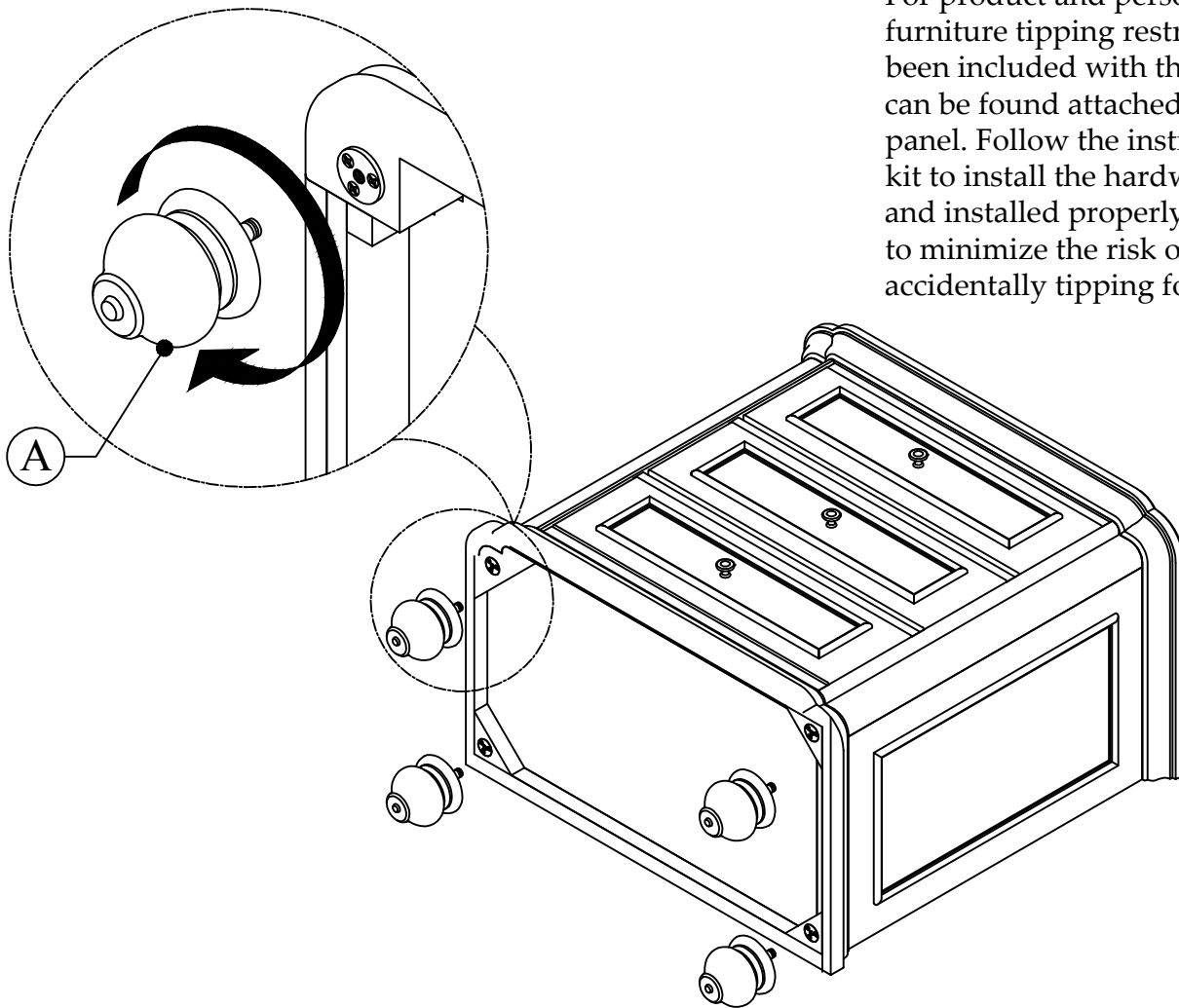
Components and Hardware List

	Bun feet		Furniture tipping Restraint Kit
(A)	4 pcs.	(HI)	1 pc.



76069 / 76169
3-Drawer Nightstand

For product and personal safety, a furniture tipping restraint kit has been included with this cabinet and can be found attached to the back panel. Follow the instructions on the kit to install the hardware. If used and installed properly this will help to minimize the risk of the cabinet accidentally tipping forward.



To prevent possible scratches and damage, this furniture must be assembled by two people on a soft surface such as a blanket or carpet.

Step 1: Carefully place the nightstand on its back. Attach a bun foot (A) to each corner as shown, making sure to fully tighten each bun foot.

Step 2: Set the nightstand upright and move to the desired location in the room.