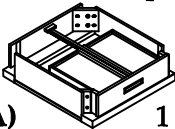
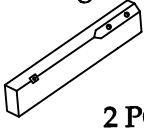
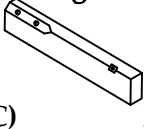
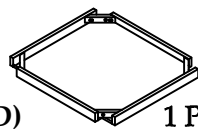
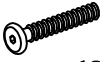



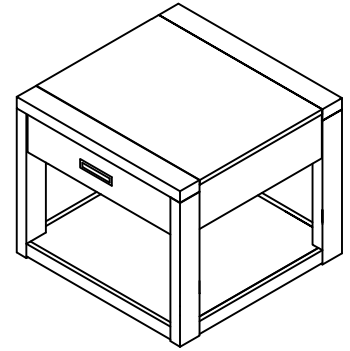


Be sure to check all packing material carefully for small parts, which may have come loose inside the carton during shipment. Separate, count and check all parts against the Components and Hardware List below.

Component And Hardware List

<p>Table Top</p>  <p>(A) 1 PCS.</p>	<p>Left Leg</p>  <p>(B) 2 PCS.</p>	<p>Right Leg</p>  <p>(C) 2 PCS.</p>	<p>Shelf</p>  <p>(D) 1 PCS.</p>
<p>Bolt: Ø5/16" x 50mm</p>  <p>(E) 12 PCS.</p>	<p>Spring Washer Ø 5/16"</p>  <p>(F) 12 PCS.</p>	<p>Flat Washer Ø 5/16" x 19mm</p>  <p>(G) 12 PCS.</p>	<p>4mm Allen Wrench</p>  <p>(H) 1 PC.</p>

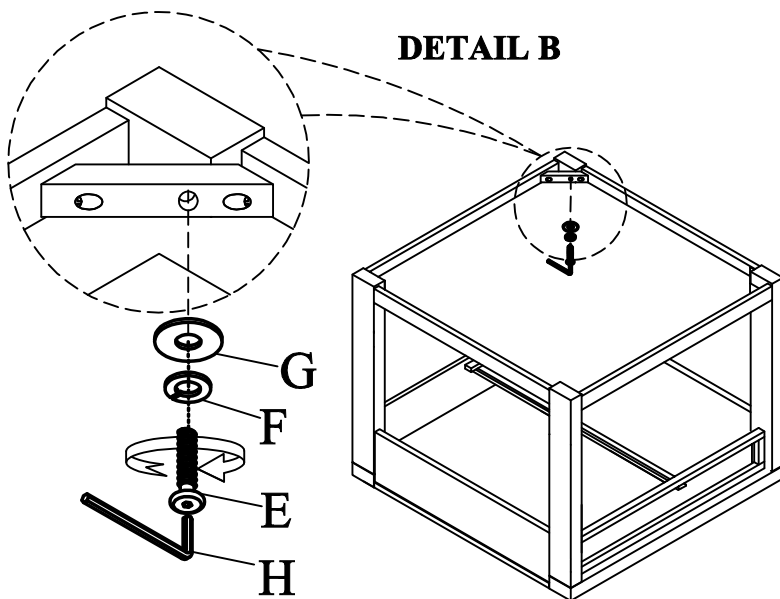
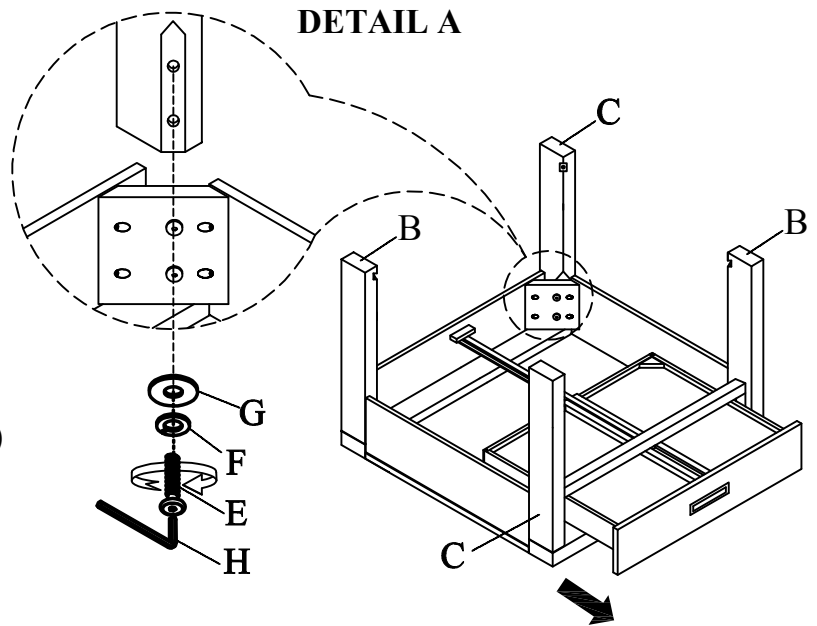


Item #75809
END TABLE

ASSEMBLY PROCEDURE:

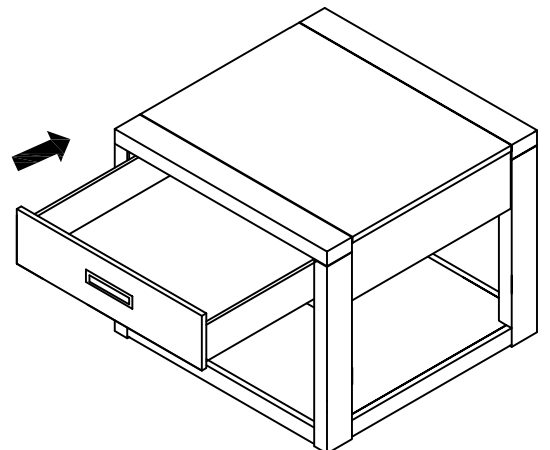
1. Remove the Drawer from the Table Top (A) and lay the Table Top upside down on a soft and smooth surface.
2. Assemble the Left & Right Legs (B & C) into the proper corners of the Table Top (A) by using Bolts (E) Spring Washer (F) & Washer (G) as shown in **DETAIL A**.

Do not fully tighten Bolts until after Detail B.



3. Assemble the Shelf (D) to the four Legs (B & C) by using Bolts (E) Spring Washer (F) & Washer (G) as shown in **DETAIL B**, using the Allen key (H).

4. Turn the assembled Table upright and reinstall the drawer.



THANK YOU FOR YOUR PURCHASE.