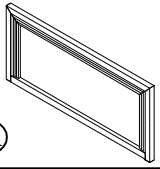
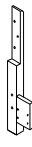
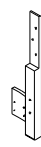
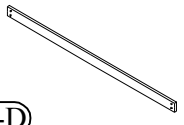




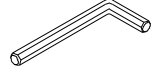
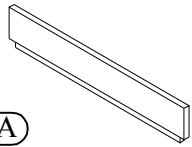
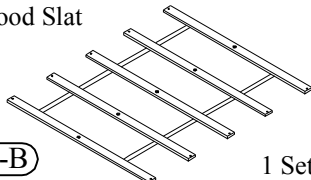
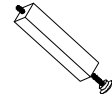
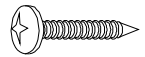


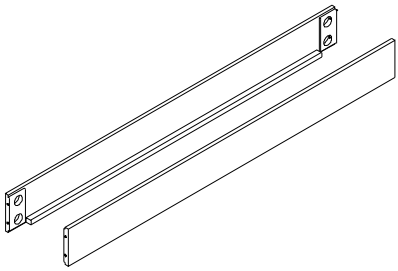

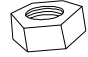


Hardware and Parts packed with the Headboard

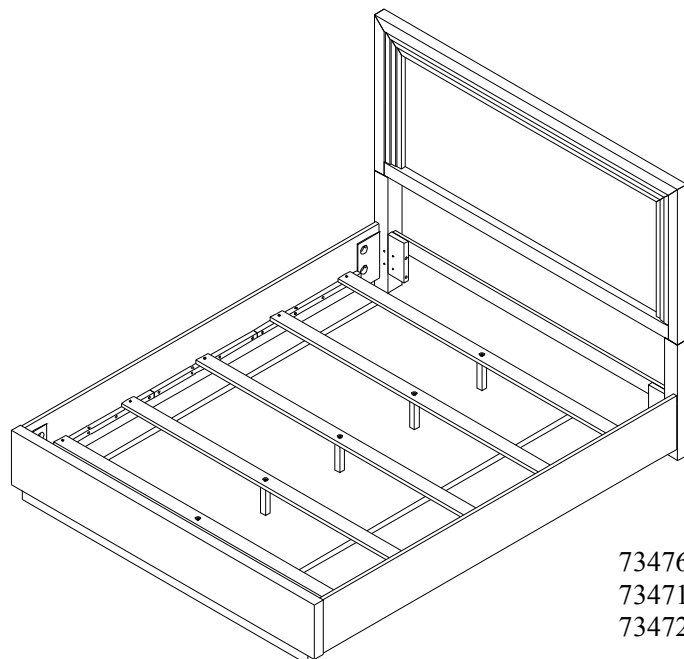
<p>Headboard Panel</p>  <p>(H-A) 1 pc.</p>	<p>Left Leg</p>  <p>(H-B) 1 pc.</p>	<p>Right Leg</p>  <p>(H-C) 1 pc.</p>	<p>Stretcher</p>  <p>(H-D) 1 pc.</p>	
<p>Ø5/16" x 1-1/2" Long Allen-Head Bolt</p>  <p>(H-E) 4 pcs.</p>	<p>Ø5/16" x 1-3/4" Long Allen-Head Bolt</p>  <p>(H-F) 6 pcs.</p>	<p>Ø5/16" x 19 x 2mm Flat Washer</p>  <p>(H-G) 10 pcs.</p>	<p>Ø5/16" x 12 x 3mm Spring Washer</p>  <p>(H-H) 10 pcs.</p>	<p>5mm Allen Wrench</p>  <p>(H-I) 1 pc.</p>

Hardware and Parts packed with the Footboard

<p>Footboard Panel</p>  <p>(F-A) 1 pc.</p>	<p>Wood Slat</p>  <p>(F-B) 1 Set (5 pcs.)</p>	<p>Slat Support Leg with leveler</p>  <p>(F-C) 5 pcs.</p>	<p>#8 x 1" Wood Screw</p>  <p>(F-D) 10 pcs.</p>
---	--	--	--

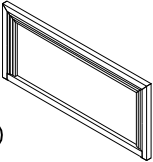
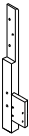
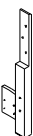
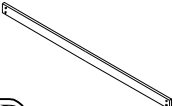





Hardware and Parts packed with the Bed Rails

<p>Bed Rail</p>  <p>(R-A) 2 pcs.</p>	<p>M5/16" x 4-1/2" All-Thread Bolt</p>  <p>(R-B) 8 pcs.</p>	<p>Ø5/16" Hex Nut</p>  <p>(R-C) 8 pcs.</p>
	<p>M5/16" Spring Washer</p>  <p>(R-D) 8 pcs.</p>	<p>Curved Washer 32 L x 13 x 8mm</p>  <p>(R-E) 8 pcs.</p>

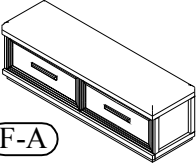
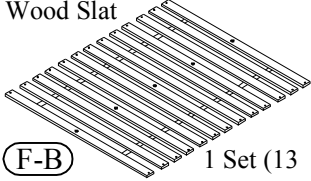
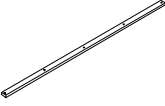
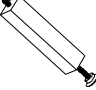
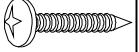


73476 4/6-5/0 Panel Headboard
73471 5/0 Panel Footboard
73472 5/0-6/6 Bed Rails

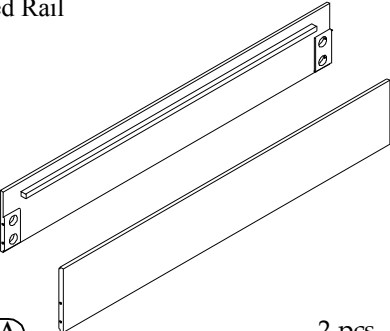
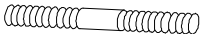




Hardware and Parts packed with the Headboard

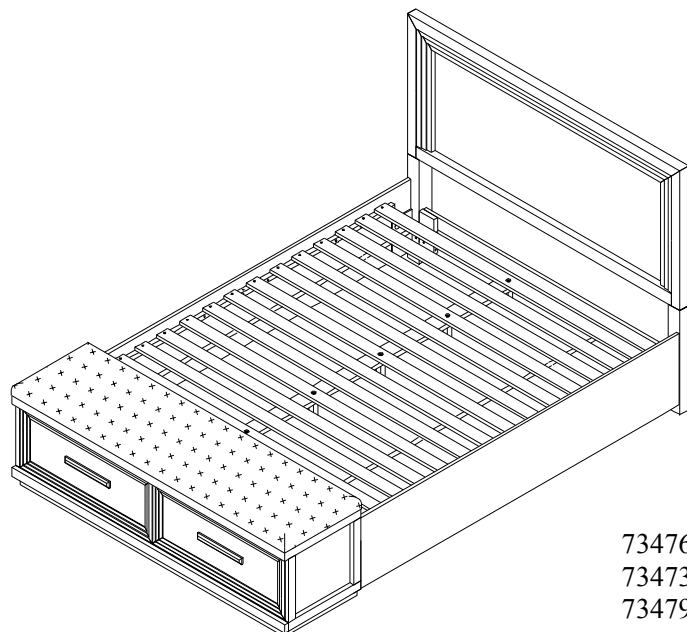
<p>Headboard Panel</p>  <p>(H-A) 1 pc.</p>	<p>Left Leg</p>  <p>(H-B) 1 pc.</p>	<p>Right Leg</p>  <p>(H-C) 1 pc.</p>	<p>Stretcher</p>  <p>(H-D) 1 pc.</p>	
<p>Ø5/16" x 1-1/2" Long Allen-Head Bolt</p>  <p>(H-E) 4 pcs.</p>	<p>Ø5/16" x 1-3/4" Long Allen-Head Bolt</p>  <p>(H-F) 6 pcs.</p>	<p>Ø5/16" x 19 x 2mm Flat Washer</p>  <p>(H-G) 10 pcs.</p>	<p>Ø5/16" x 12 x 3mm Spring Washer</p>  <p>(H-H) 10 pcs.</p>	<p>5mm Allen Wrench</p>  <p>(H-I) 1 pc.</p>

Hardware and Parts packed with the Footboard

<p>Footboard Panel</p>  <p>(F-A) 1 pc.</p>	<p>Wood Slat</p>  <p>(F-B) 1 Set (13 pcs.)</p>	<p>Slat Support Rails</p>  <p>(F-C) 1 pc.</p>	<p>Slat Support Leg with leveler</p>  <p>(F-D) 5 pcs.</p>	<p>#8 x 1" Wood Screw</p>  <p>(F-E) 26 pcs.</p>
---	---	--	--	--

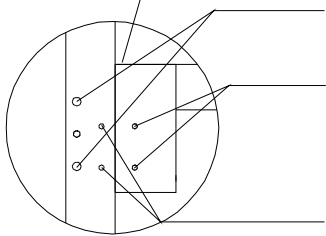
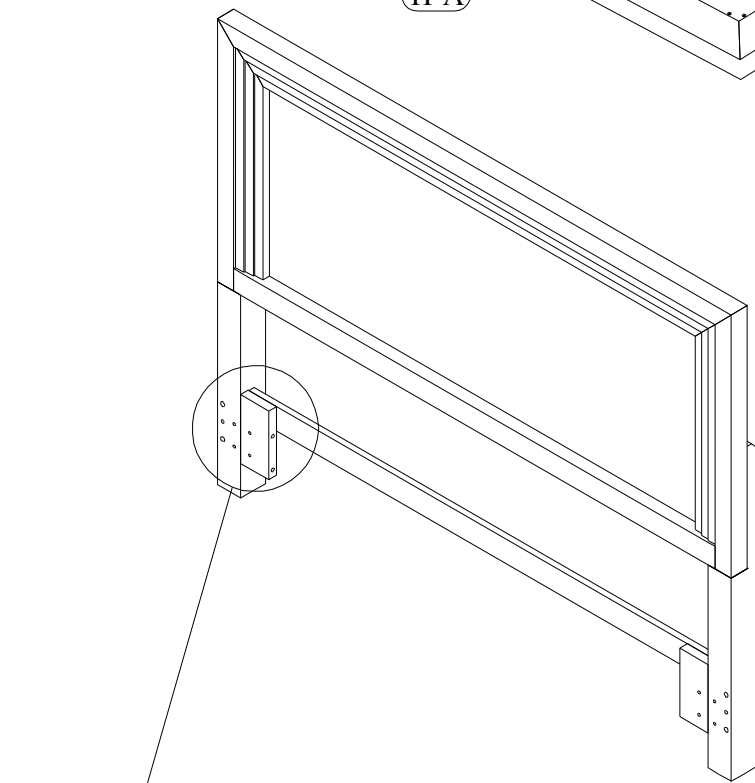
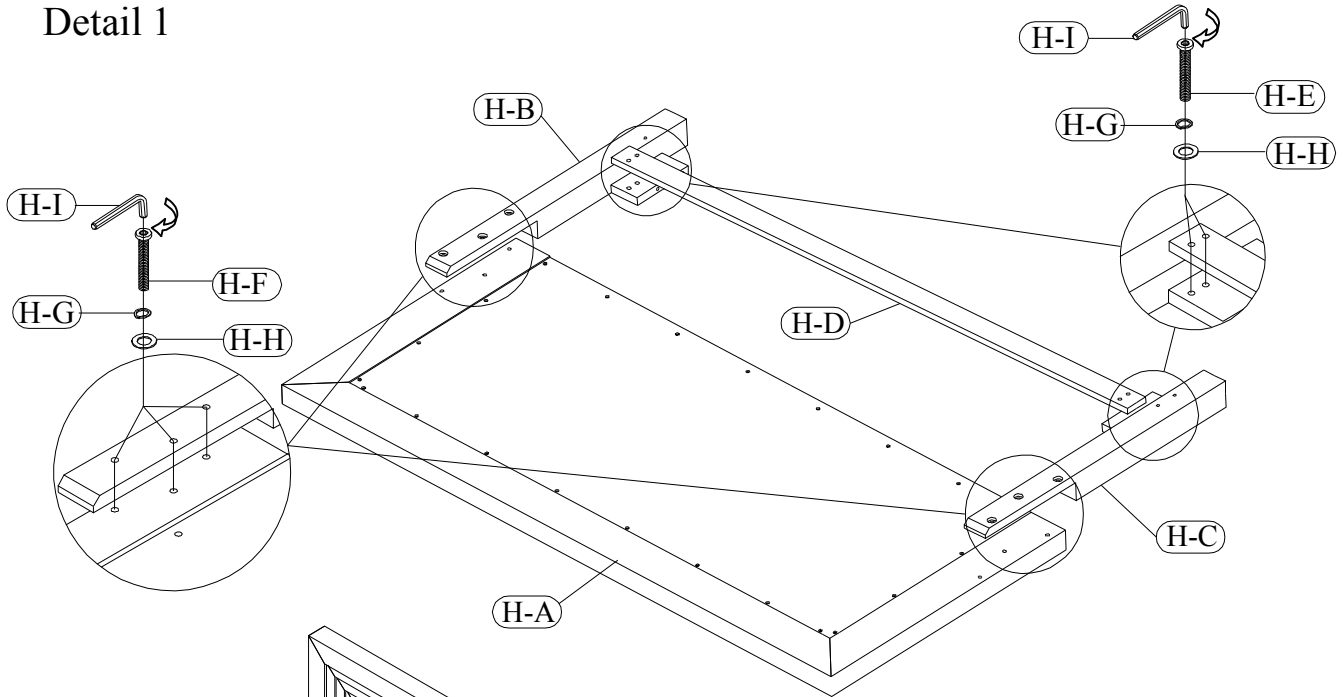
Hardware and Parts packed with the Bed Rails

<p>Bed Rail</p>  <p>(R-A) 2 pcs.</p>	<p>M5/16" x 4-1/2" All-Thread Bolt</p>  <p>(R-B) 8 pcs.</p>	<p>Ø5/16" Hex Nut</p>  <p>(R-C) 8 pcs.</p>	
	<p>M5/16" Spring Washer</p>  <p>(R-D) 8 pcs.</p>	<p>Curved Washer 32 L x 13 x 8mm</p>  <p>(R-E) 8 pcs.</p>	<p>12mm Open Wrench</p>  <p>(R-F) 1 pc.</p>



73476 4/6-5/0 Panel Headboard
73473 5/0 Uph Storage Footboard
73479 5/0-6/6 Bed Rails

Detail 1



USE THESE HOLES FOR ATTACHING WOOD SIDE RAILS.
ALL HARDWARE IS INCLUDED WITH THE SIDE RAILS

USE THESE HOLES FOR ATTACHING A FULL SIZE (4/6)
METAL BED FRAME

CUSTOMER TO PROVIDE 5/16 X 1-3/4" LONG BOLTS, NUTS
& WASHERS TO CONNECT THE METAL BED FRAME

USE THESE HOLES FOR ATTACHING A QUEEN SIZE (5/0)
METAL BED FRAME

CUSTOMER TO PROVIDE 5/16 X 4-1/2" LONG BOLTS, NUTS
& WASHERS TO CONNECT THE METAL BED FRAME

The Headboard may be used alone with a Queen or Full Size Metal Bed Frame

