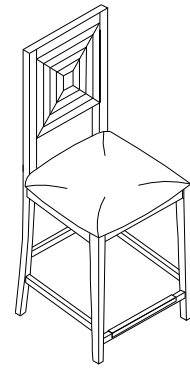


Warning :

- Be sure to check all packing material carefully for small parts, which may have come loose inside the carton during shipment.
- To prevent possible scratches and damage, this furniture must be assembled on a soft surface such as a blanket or carpet.

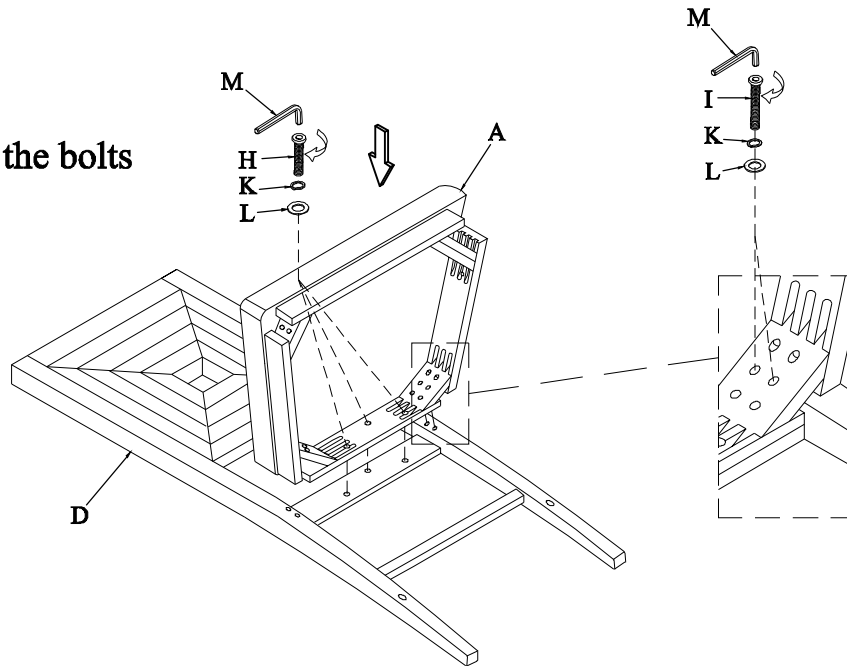


73443
UPH WOOD-BK CNTR STOL 2IN

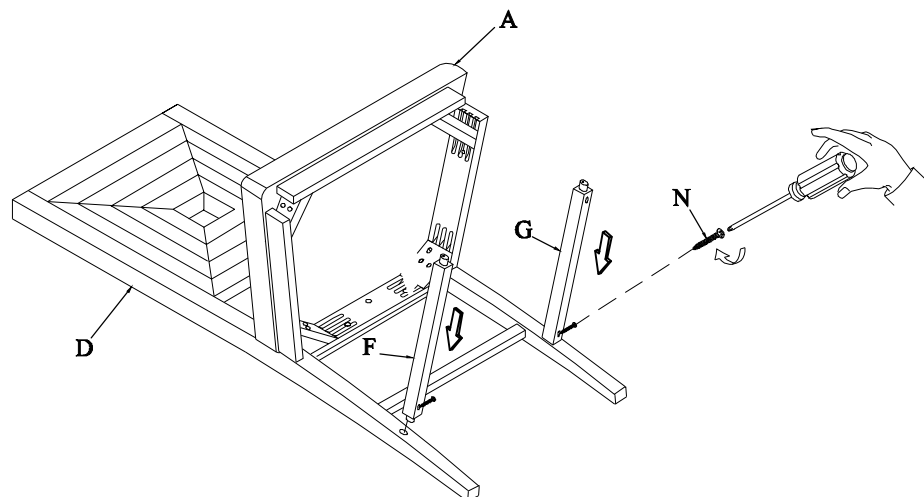
Components and Hardware List

<p>Seat Frame</p> <p>Ⓐ 1 pc.</p>	<p>Front Leg (Right)</p> <p>Ⓑ 1 pc.</p>	<p>Front Leg (Left)</p> <p>Ⓒ 1 pc.</p>	<p>Chair Back</p> <p>Ⓓ 1 pc.</p>	<p>Front Stretcher</p> <p>Ⓔ 1 pc.</p>		
<p>Side Stretcher (Left)</p> <p>Ⓕ 1 pc.</p>	<p>Side Stretcher (Right)</p> <p>Ⓖ 1 pc.</p>	<p>Ø5/16" × 1-3/4" Long Allen-Head Bolt</p> <p>Ⓗ 3 pcs.</p>	<p>Ø5/16" × 3-1/2" Long Allen-Head Bolt</p> <p>Ⓘ 4 pcs.</p>	<p>Ø5/16" × 2" Long Allen-Head Bolt</p> <p>Ⓙ 4 pcs.</p>	<p>Ø5/16" Spring Washer</p> <p>Ⓚ 11 pcs.</p>	<p>Ø5/16" Flat Washer</p> <p>Ⓛ 11 pcs.</p>
<p>5mm Allen Key</p> <p>Ⓜ 1 pc.</p>	<p>#8 x 1-1/4" Wood Screw</p> <p>Ⓝ 6 pcs.</p>					

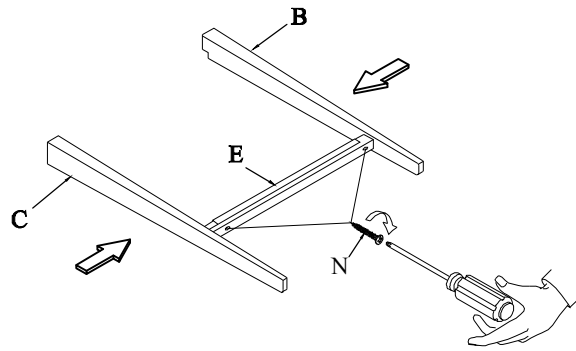
STEP 1: Do not fully tighten the bolts



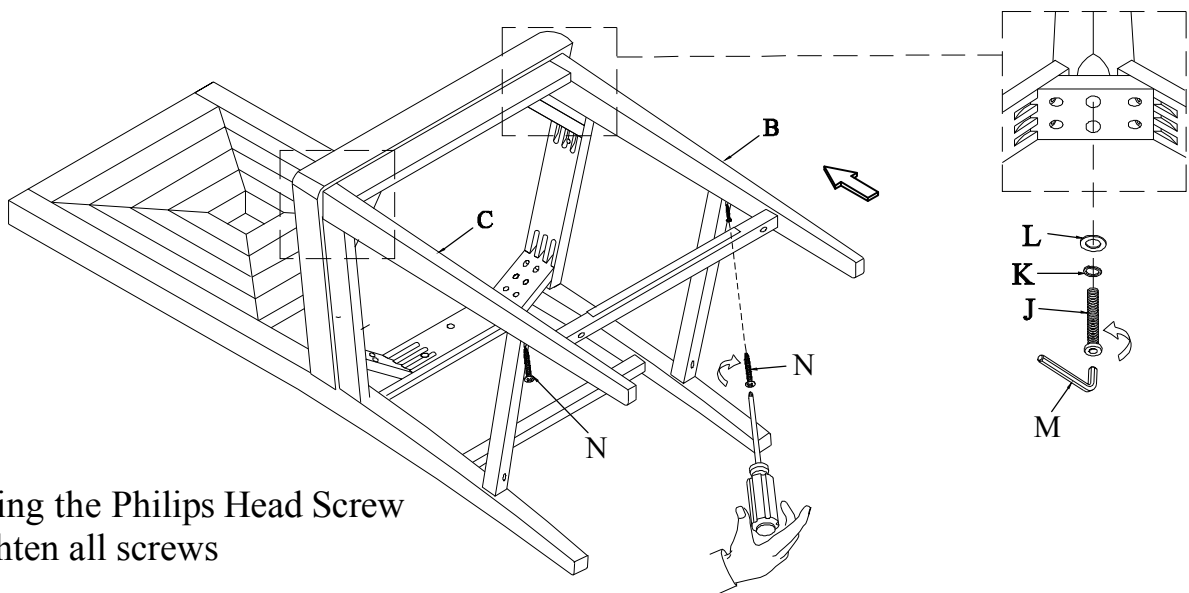
STEP 2: Do not fully tighten the screws



STEP 3:



STEP 4: Using the Allen Key to tighten all bolts



STEP 5: Using the Philips Head Screw driver to tighten all screws

COMPLETE

