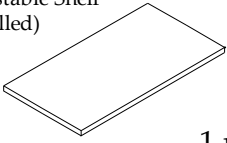


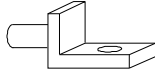
**Components and Hardware List**

Adjustable Shelf  
(installed)



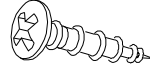
**A** 1 pcs.

Adjustable Shelf Support  
(installed)

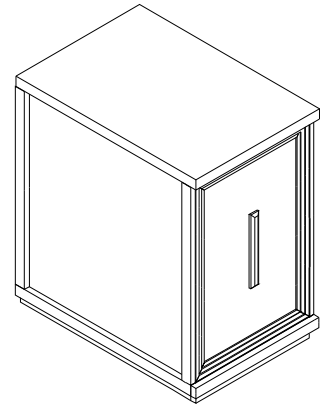


**B** 4 pcs.

Screw (installed)  
#3 x 15



**C** 4 pcs.



73412  
Rectangle Chairside Chest

Be sure to check all packing material carefully for small parts, which may have come loose inside the carton during shipment.

Note: The Adjustable Shelves (A),(B) have been installed for shipping. These are secured using the Screws underneath the shelf. In order to move the Shelves to a different location, using your Phillips screwdriver, remove the screws and move the Shelf Pins and Shelves as desired.

