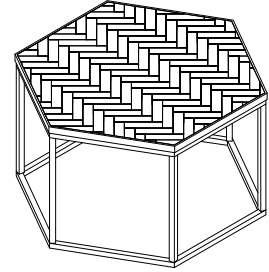


73101 Hex Cocktail Table



PART LIST

- 1 Wooden Top
- 1 Top Frame
- 6 Leg
- 1 Bottom Frame

HARDWARE LIST

- 12 Bolts 1/4 x 1 1/2"
- 12 Lock Washer 1/4"
- 12 Screws #10 x 3/4"
- 6 Floor Glide 1/2" dia. (installed)

TOOLS REQUIRED BUT NOT PROVIDED

Phillips Screwdriver

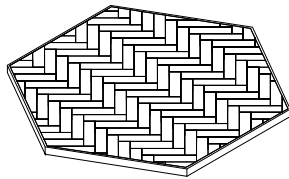
Thank you for purchasing this quality product. Be sure to check all packing material carefully for small parts which may have come loose inside the carton during shipment. Identify and count all parts and compare with parts lists.

It is strongly recommended that this table be assembled by **TWO PEOPLE** to avoid marking or scratching the finish. It is easier to assemble this product upside down.

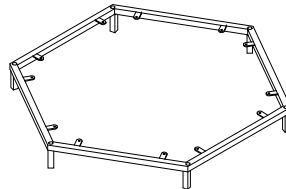
1. Locate and unpack all the parts and place them on a soft surface such as a blanket or carpet.
2. Match the Legs and Frames according to the numbers. (If necessary pull down on the end part of the Legs to ensure proper fitting with the Frames.)
3. Attach the Top Frame to the top of the Legs using the 1/4" Lock Washers and the 1/4 x 1 1/2" Bolts. Do not fully tighten the Bolts until after next step.
4. Attach the Bottom Frame to the bottom of the Legs using the 1/4" Lock Washers and the 1/4 x 1 1/2" Bolts. Pull all parts snug together and tighten all Bolts using your Phillips Screwdriver.
5. Place the Wooden Top upside down on a soft surface and position the assembled Legs and Frames on the Wooden Top.
6. Attach the Top Frame to the Wooden Top using the #10 x 3/4" Screws. Tighten using your Phillips Screwdriver.
7. Turn the completed Table upright.

It is recommended that you periodically check and tighten all parts during the lifetime of the product. Clean with a damp cloth and buff dry with a soft cloth. Use of commercial polishes or waxes is not recommended.

WOODEN TOP



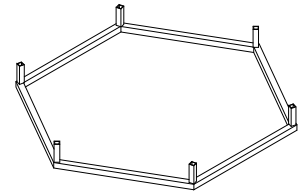
TOP FRAME



LEG (6)

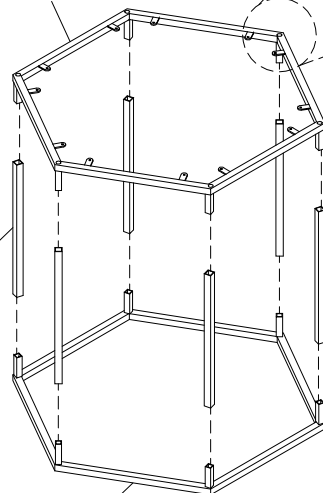


BOTTOM FRAME



**LOCK WASHER (1/4")
BOLTS (1/4 x 1 1/2")**

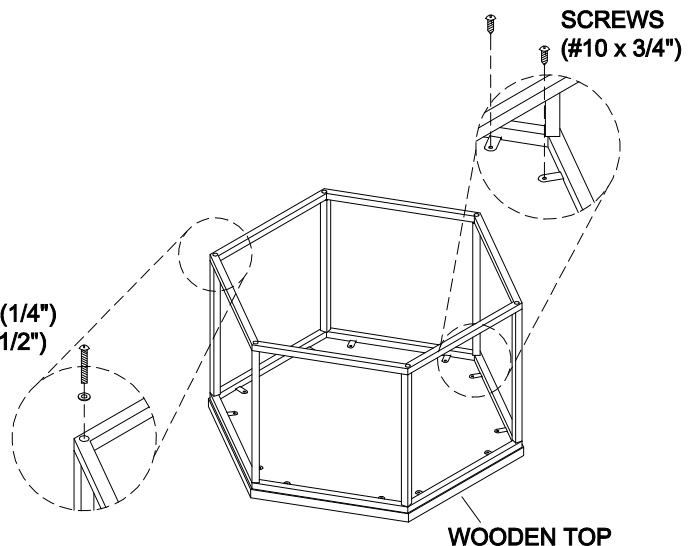
TOP FRAME



LEG

**BOTTOM
FRAME**

**LOCK WASHER (1/4")
BOLTS (1/4 x 1 1/2")**



**SCREWS
(#10 x 3/4")**

WOODEN TOP

