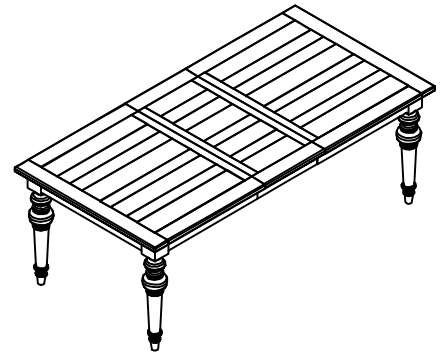



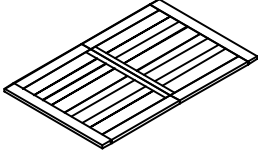
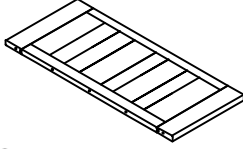
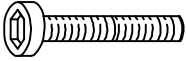



Warning

- Be sure to check all packing material carefully for small parts, which may have come loose inside the carton during shipment.
- To prevent possible scratches and damage, this furniture **MUST BE ASSEMBLED BY TWO PEOPLE** on a soft surface such as a blanket or carpet.

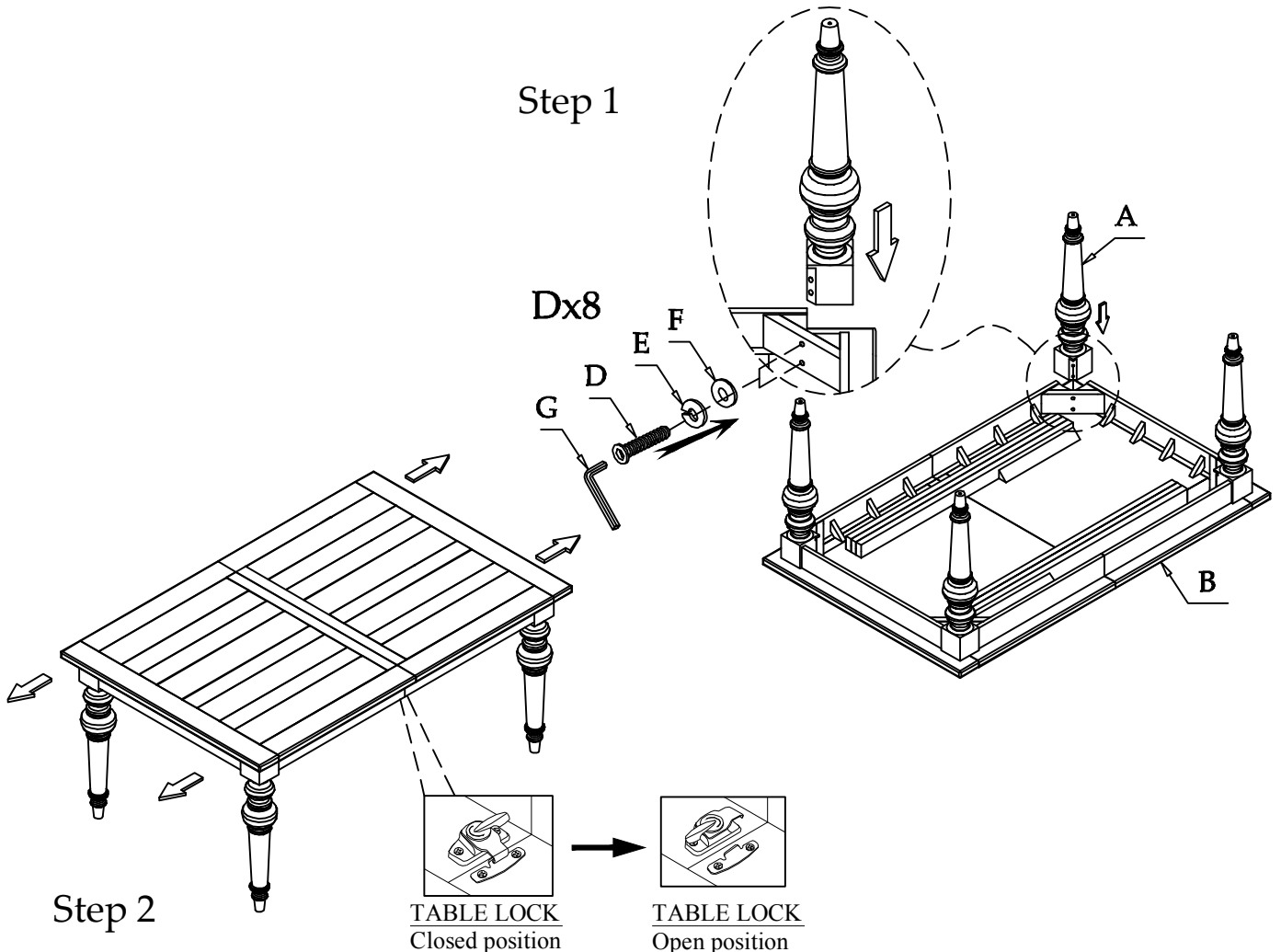


#60250
Rectangular Dining Table

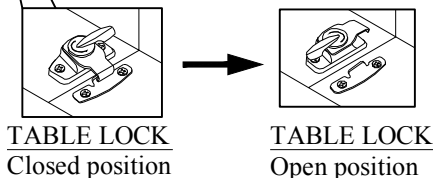
Components and Hardware List

<p>Leg</p>  <p>A 4PCS</p>	<p>Table Top</p>  <p>B 1PC</p>	<p>Top Leaf</p>  <p>C 1PC</p>	
<p>5/16" - 18 x 3" Long Allen Head Bolt</p>  <p>D 8PCS</p>	<p>5/16" x 12mm x 3mm Spring Washer</p>  <p>E 8PCS</p>	<p>5/16" x 19mm x 2mm Flat Washer</p>  <p>F 8PCS</p>	<p>5mm Allen Key</p>  <p>G 1PC</p>

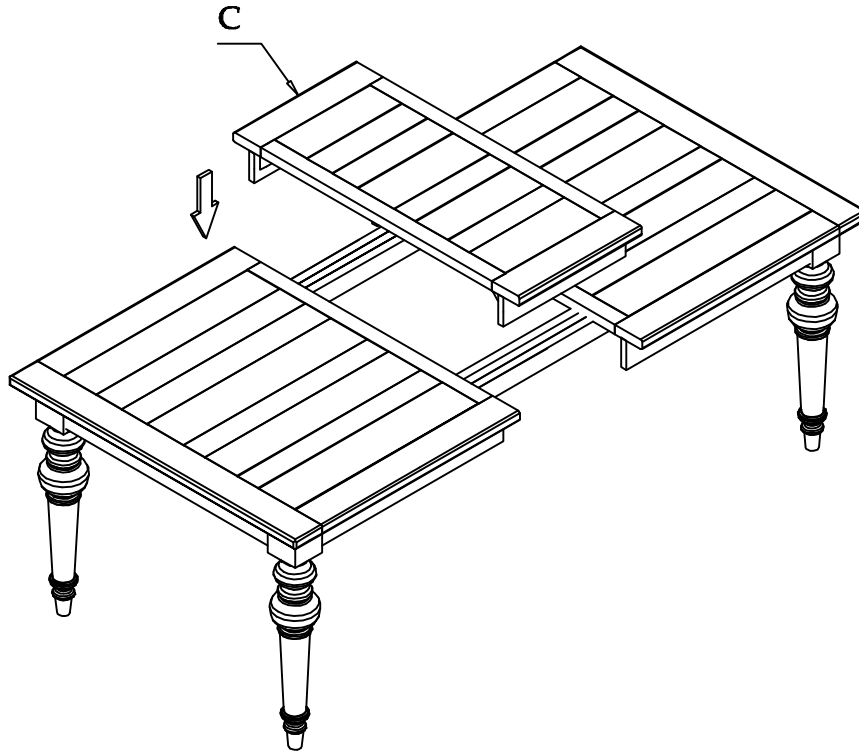
Step 1



Step 2



Step 3



Step 4

