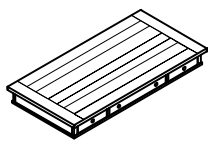
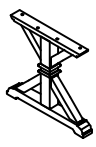

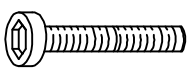
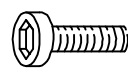



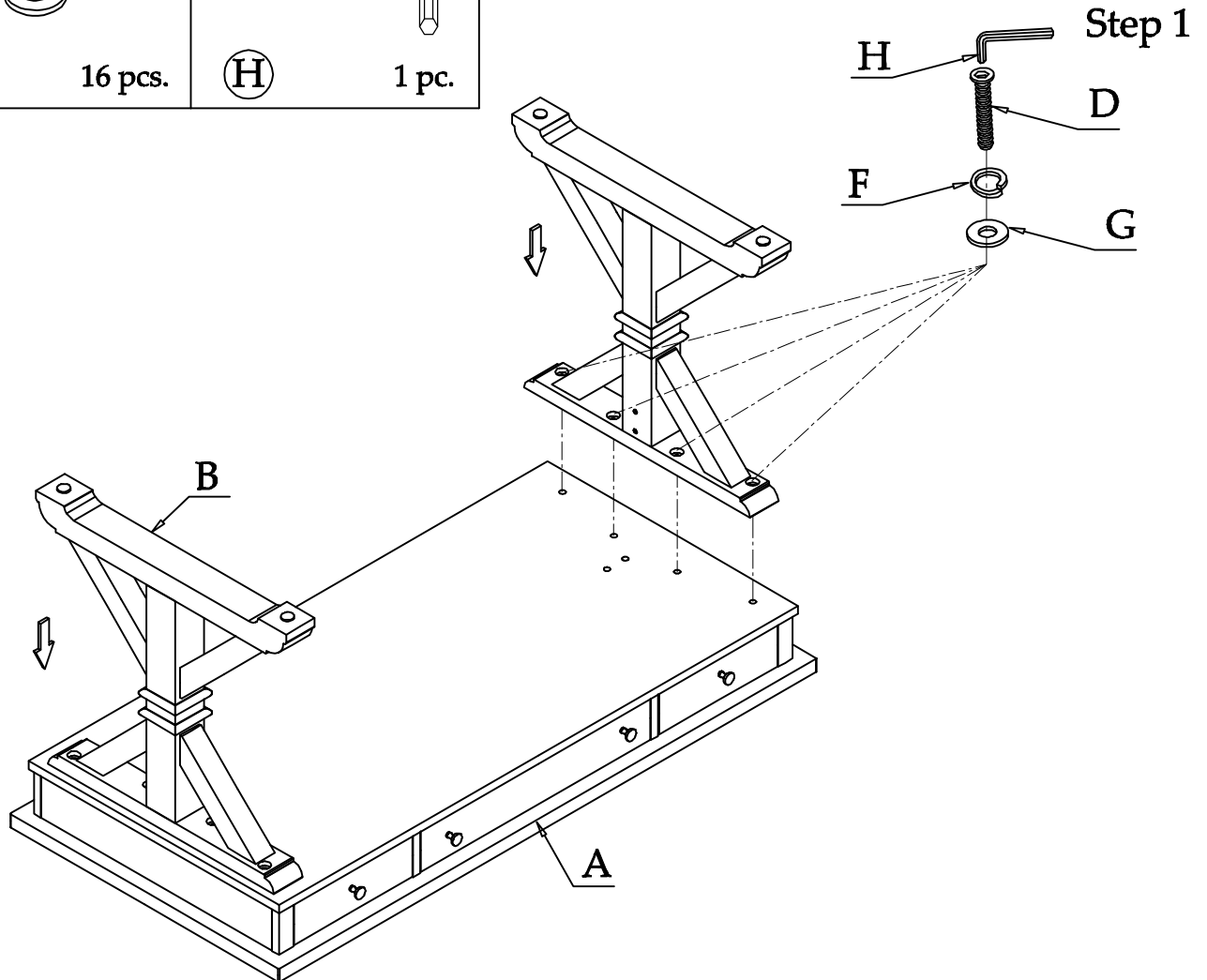


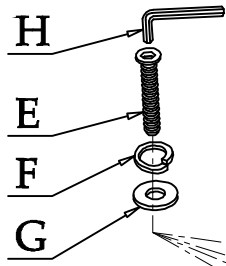
Components and Hardware List

<p>Table Top</p>  <p>(A) 1 pc.</p>	<p>Leg frame</p>  <p>(B) 2 pcs.</p>	<p>Mending plate</p>  <p>(C) 2 pcs.</p>
<p>5/16" *1-1/2" Allen Head Bolt</p>  <p>(D) 8 pcs.</p>	<p>5/16" *1" Allen Head Bolt</p>  <p>(E) 8 pcs.</p>	<p>5/16" x 12mm x 3mm Spring Washer</p>  <p>(F) 16 pcs.</p>
<p>5/16" x 19mm x 2mm Flat Washer</p>  <p>(G) 16 pcs.</p>	<p>5mm Allen key</p>  <p>(H) 1 pc.</p>	<p>Be sure to check all packing material carefully for small parts, which may have come loose inside the carton during shipment.</p>



#54930
WRITING DESK





Step 2

