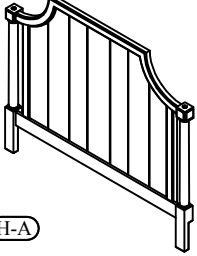
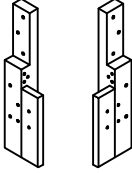
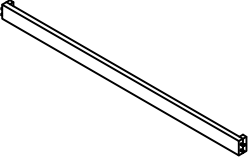






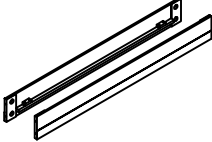







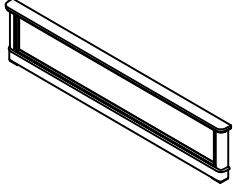
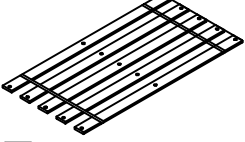
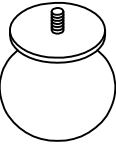


Hardware and Parts packed with the Headboard

<p>Headboard Panel</p>  <p>(H-A) 1 pc.</p>	<p>Headboard Post</p>  <p>(H-B) One Left & One Right</p>	<p>Headboard Stretcher</p>  <p>(H-C) 1 pc.</p>	<p>Finial</p>  <p>(H-D) 2 pcs.</p>	 <p>52878 -- 4/6-5/0 Panel Headboard 52871 -- 5/0 Panel Footboard w/Slats 52872 -- 5/0-6/6 Panel Bed Rails</p>
<p>Ø5/16"-18 x 1-3/4" Allen Head Bolt</p>  <p>(H-E) 8 pcs.</p>	<p>Ø5/16" x Ø14mm Spring Washer</p>  <p>(H-F) 8 pcs.</p>	<p>Ø5/16" x Ø18mm Flat Washer</p>  <p>(H-G) 8 pcs.</p>	<p>Ø4mm Allen Wrench</p>  <p>(H-I) 1 pc.</p>	

Hardware and Parts packed with the Bed Rails

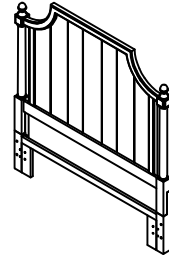
<p>5/0-6/6 Bed Rails</p>  <p>(R-A) 2 pcs.</p>	<p>Ø5/16"x34x14x2mm Lock Washer Black</p>  <p>(R-B) 8 pcs.</p>	<p>Ø5/16"x14mm Spring washer</p>  <p>(R-C) 8 pcs.</p>	<p>Ø5/16" Hexagonal Nut</p>  <p>(R-D) 8 pcs.</p>	<p>12 mm Open Wrench</p>  <p>(R-E) 1 pc.</p>	<p>Ø5/16"-18 x 82mm Long All-thread Bolt</p>  <p>(R-F) 8 pcs.</p>
---	---	--	--	---	--

Hardware and Parts packed with the Footboard

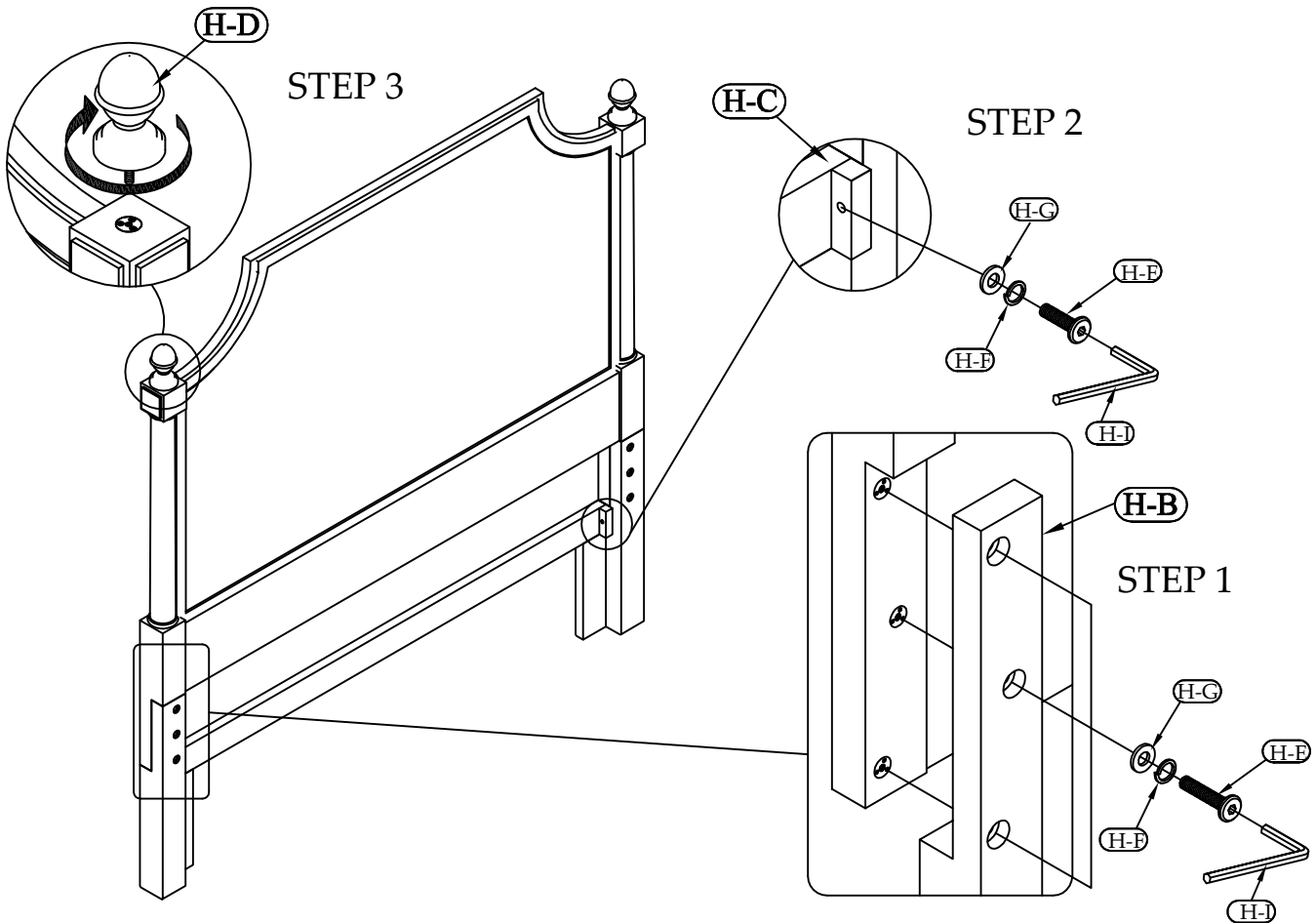
<p>Footboard Panel</p>  <p>(F-A) 1 pc.</p>	<p>5/0 Wood Slat 61" long</p>  <p>(F-B) 5 pcs.</p>	<p>Bun feet</p>  <p>(F-C) 2 pcs.</p>	<p>Slat Support Leg 6-1/2" long with leveler</p>  <p>(F-D) 5 pcs.</p>	<p>Ø8 x 1"mm Wood Screw</p>  <p>(F-E) 10 pcs.</p>
---	---	---	--	--

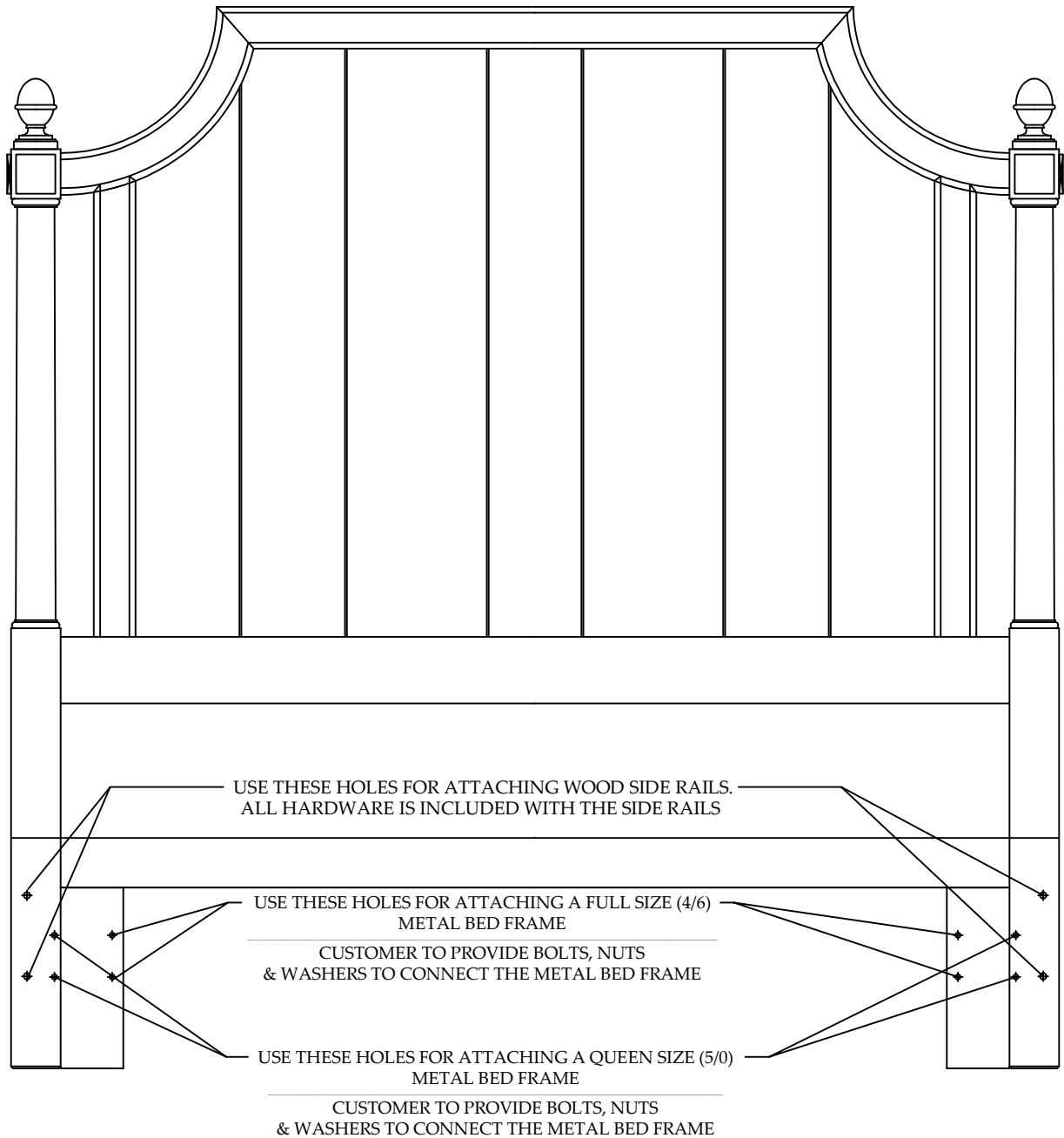
To prevent possible damage to furniture and personal injury, it is recommended that two people are used to assemble this bed.

Do not tighten the bolts until the complete headboard is assembled, then tighten all bolts with the provided allen wrench.

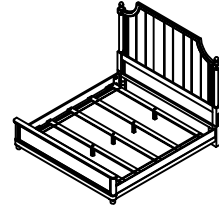


52878 -- 4/6-5/0 Panel Headboard

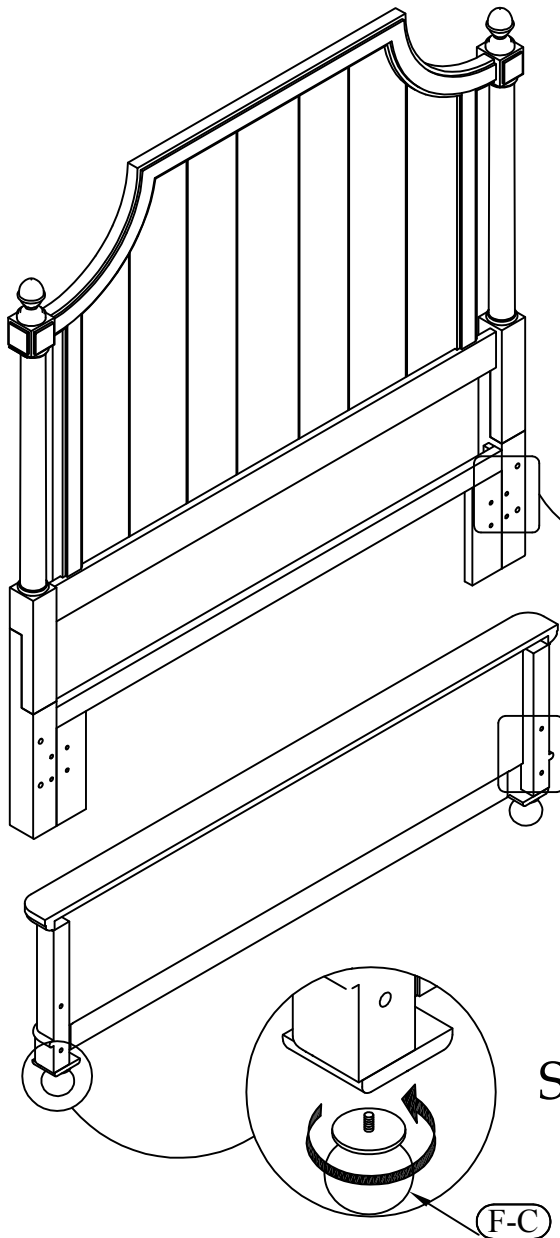




5/0 Queen Standard Bed
52878 -- 4/6-5/0 Panel Headboard
52871 -- 5/0 Panel Footboard w/Slats
52872 -- 5/0-6/6 Bed Rails

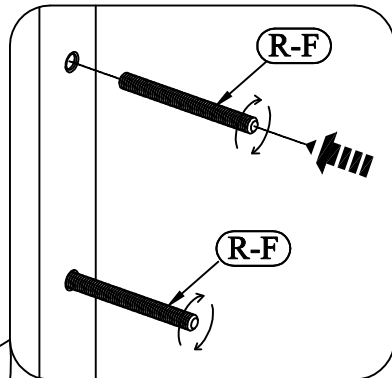


52878 -- 4/6-5/0 Panel Headboard
52871 -- 5/0 Panel Footboard w/Slats
52872 -- 5/0-6/6 Bed Rails



STEP 4

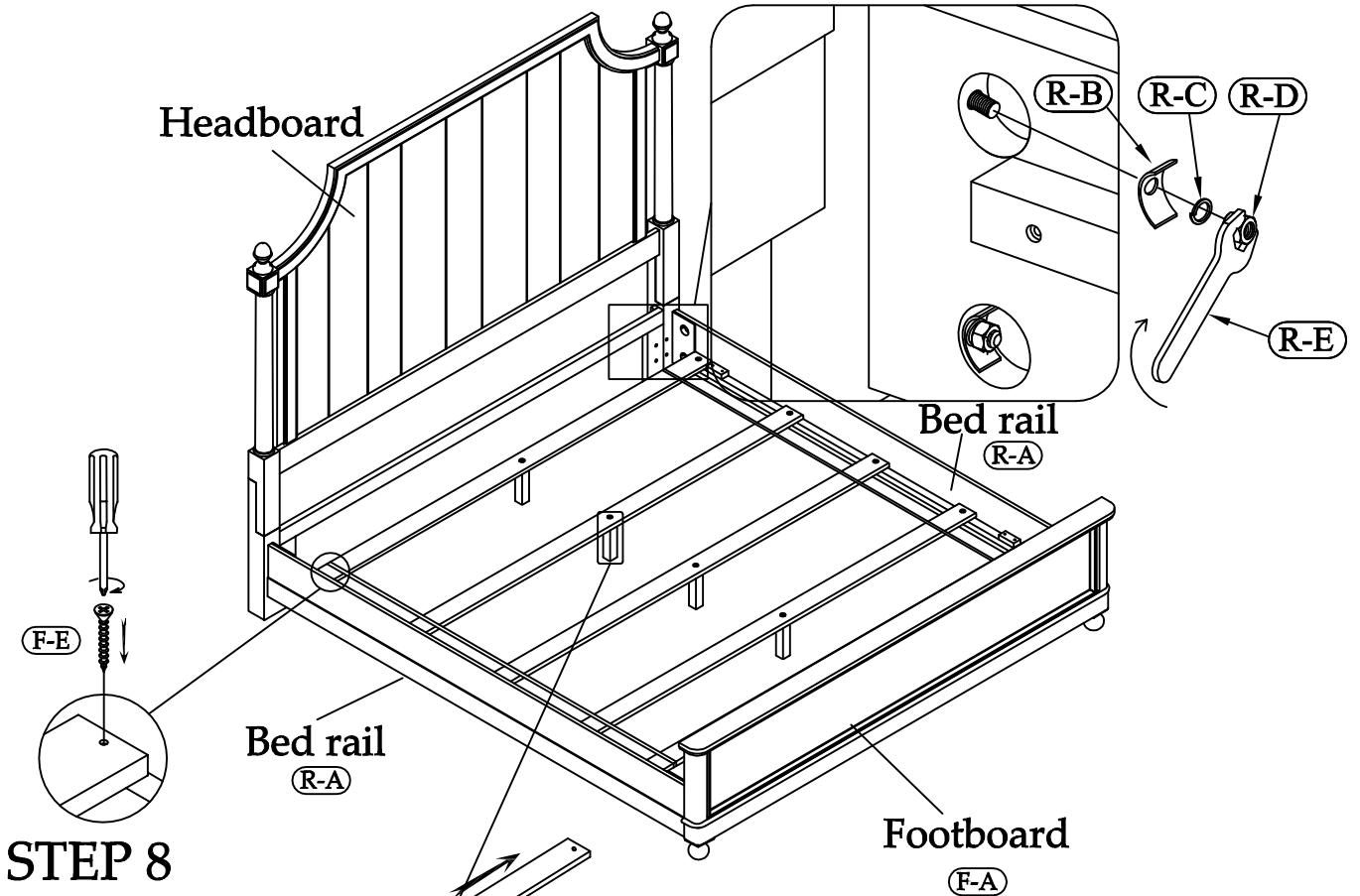
STEP 5



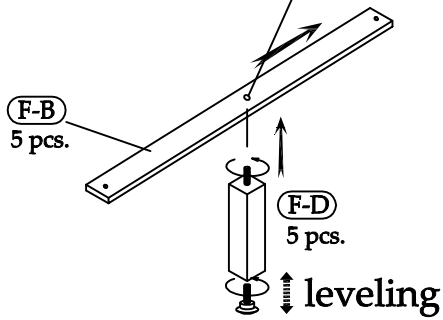


52878 -- 4/6-5/0 Panel Headboard
52871 -- 5/0 Panel Footboard w/Slats
52872 -- 5/0-6/6 Bed Rails

STEP 6



STEP 8



STEP 7