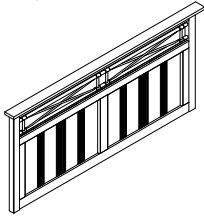
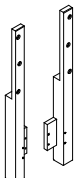
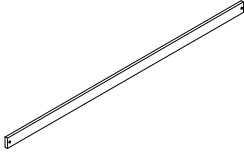
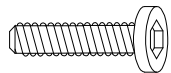


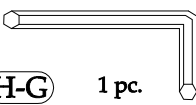
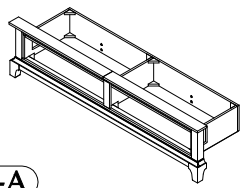
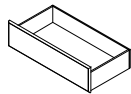
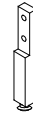
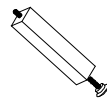
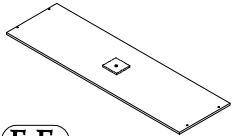
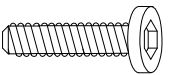



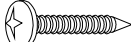
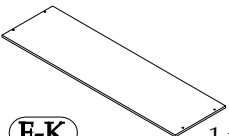


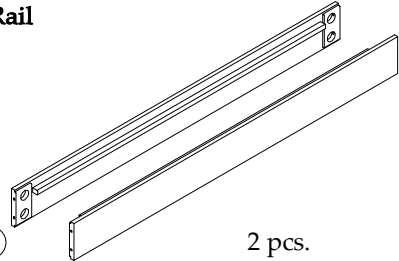

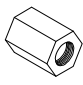




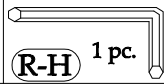
Hardware and Parts packed with the Headboard

Headboard Panel  (H-A) 1 pc.		Headboard Post  (H-B) One Left & One Right		Headboard Stretcher  (H-C) 1 pc.	
M5/16" x 1-3/4" Long Allen Head Bolt  (H-D) 8 pcs.	M5/16" Spring Washer  (H-E) 8 pcs.	M5/16" x 19mm Flat Washer  (H-F) 8 pcs.	5mm Allen Wrench  (H-G) 1 pc.		

Hardware and Parts packed with the Footboard

Storage Footboard Frame  (F-A) 1 pc.		Drawer  (F-B) 2 pcs.		Drawer Box Support Leg 10-3/4" long with leveler  (F-C) 2 pcs.		Panel Support Leg 15 7/8" long with leveler  (F-D) 3 pcs.		5/0 Wood Panel with blocks 60 3/4" x 20-1/8"  (F-E) 3 pc.	
M5/16" x 1-1/2" Long Allen Head Bolt  (F-F) 4 pcs.	M5/16" Spring Washer  (F-G) 4 pcs.	M5/16" x 19mm Flat Washer  (F-H) 4 pcs.	5mm Allen Wrench  (F-I) 1 pc.	#8 x 1" Wood Screw  (F-J) 16 pcs.	5/0 Wood Panel-plain 60 3/4" x 20-1/8"  (F-K) 1 pc.				

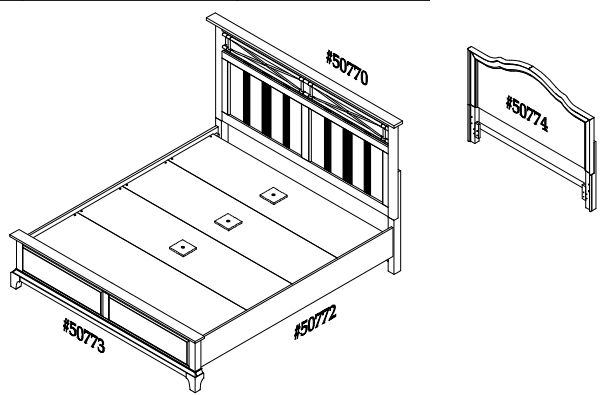
Hardware and Parts packed with the Bed Rails

Bed Rail  (R-A) 2 pcs.		M5/16" x 3-1/2" All-Thread Bolt  (R-B) 8 pcs.		M5/16" Hex Nut  (R-C) 8 pcs.		M5/16" Spring Washer  (R-D) 8 pcs.		M5/16" x 16mm Flat Washer  (R-E) 8 pcs.	
		Ø50mm Arc-Washer  (R-F) 8 pcs.		Open Wrench  (R-G) 1 pc.		4mm Allen Wrench  (R-H) 1 pc.			

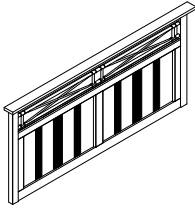
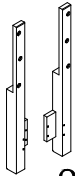
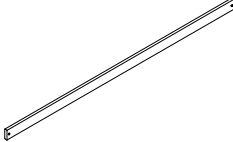
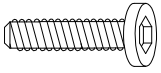


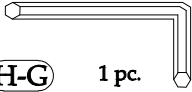
5/0 Queen Storage Bed
 50770 -- 4/6-5/0 Panel Headboard
 50772 -- 5/0-6/6 Bed Rails
 50773 -- 5/0 Storage Footboard w/Platform

Note:

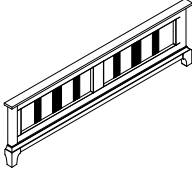


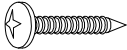
The 50773 Storage Footboard can be used with the 50770 Panel Headboard as shown or with the 50774 Upholstered Headboard



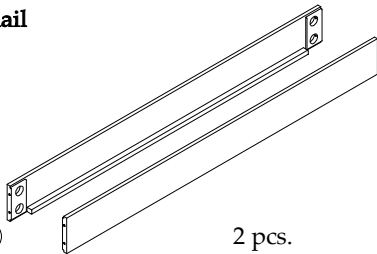

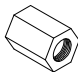


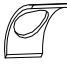

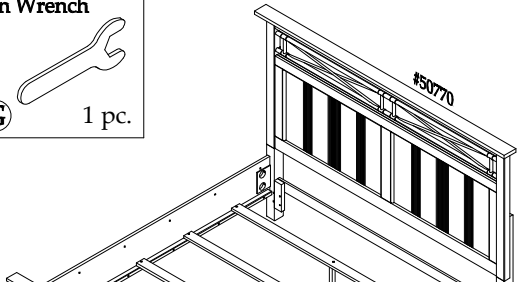
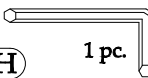
Hardware and Parts packed with the Headboard

<p>Headboard Panel</p>  <p>(H-A) 1 pc.</p>	<p>Headboard Post</p>  <p>(H-B) One Left & One Right</p>	<p>Headboard Stretcher</p>  <p>(H-C) 1 pc.</p>		
<p>M5/16" x 1-3/4" Long Allen Head Bolt</p>  <p>(H-D) 8 pcs.</p>	<p>M5/16" Spring Washer</p>  <p>(H-E) 8 pcs.</p>	<p>M5/16" x 19mm Flat Washer</p>  <p>(H-F) 8 pcs.</p>	<p>5mm Allen Wrench</p>  <p>(H-G) 1 pc.</p>	

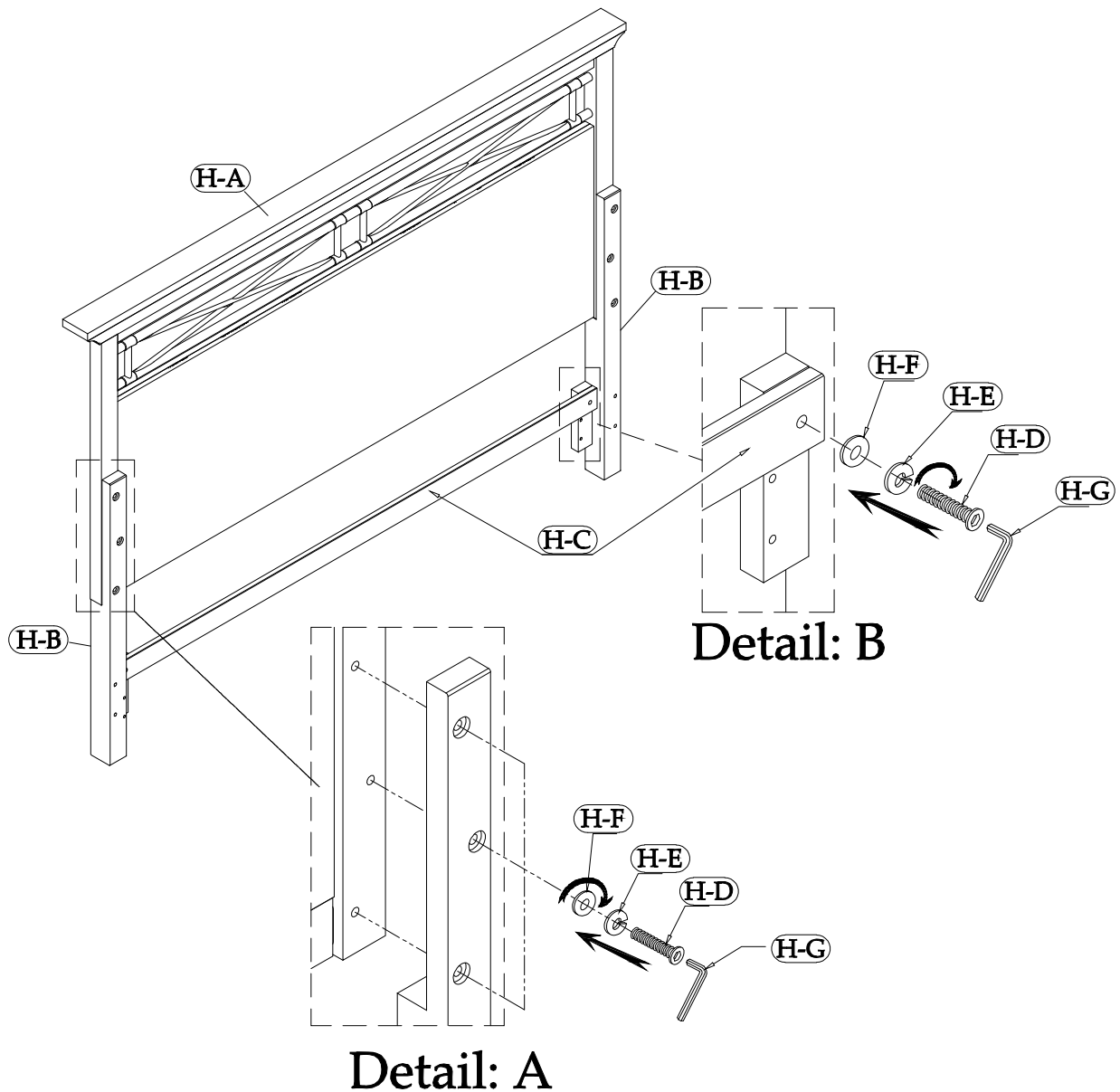
Hardware and Parts packed with the Footboard

<p>Standard Footboard Frame</p>  <p>(F-A) 1 pc.</p>	<p>5/0 Wood Slat 60-3/4" Long</p>  <p>(F-E) 4 pcs.</p>	<p>Slat Support Leg 8-5/8" long with leveler</p>  <p>(F-D) 4 pcs.</p>	<p>#8 x 1" Wood Screw</p>  <p>(F-J) 8 pcs.</p>	

Hardware and Parts packed with the Bed Rails

<p>Bed Rail</p>  <p>(R-A) 2 pcs.</p>	<p>M5/16" x 3-1/2" All-Thread Bolt</p>  <p>(R-B) 8 pcs.</p>	<p>M5/16" Hex Nut</p>  <p>(R-C) 8 pcs.</p>	<p>M5/16" Spring Washer</p>  <p>(R-D) 8 pcs.</p>	<p>M5/16" x 16mm Flat Washer</p>  <p>(R-E) 8 pcs.</p>
	<p>Ø50mm Arc-Washer</p>  <p>(R-F) 8 pcs.</p>	<p>Open Wrench</p>  <p>(R-G) 1 pc.</p>		
	<p>4mm Allen Wrench</p>  <p>(R-H) 1 pc.</p>			

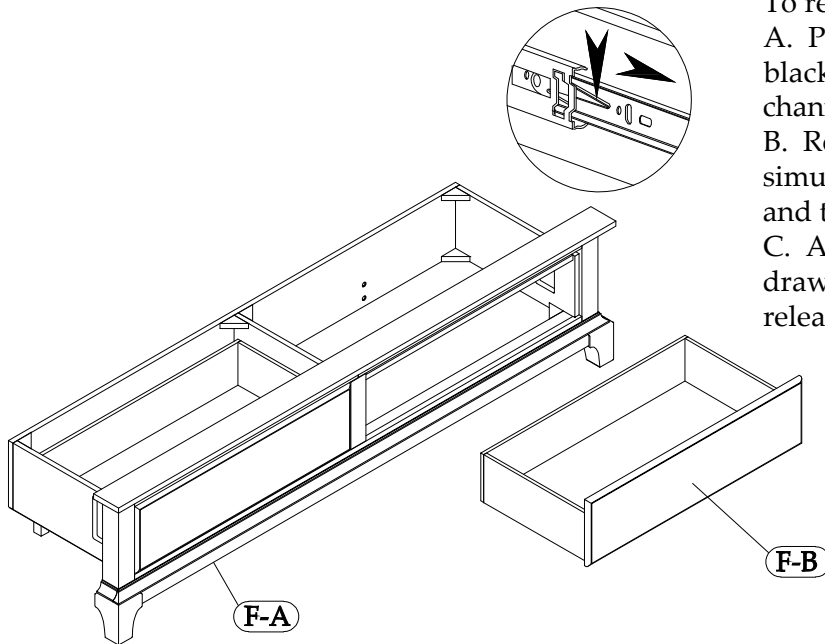
5/0 Queen Standard Bed
 50770 -- 4/6-5/0 Panel Headboard
 50772 -- 5/0-6/6 Bed Rails
 50771 -- 5/0 Panel Footboard w/Slats



ASSEMBLY STEPS :

1. Place the Headboard Panel (H-A) face down on a clean and soft surface.
2. Attach the Left and Right Headboard Posts (H-B) to the back of the Headboard Panel, using the Flat Washers (H-F), Spring Washers (H-E) and Allen-Head Bolts (H-D). Do not fully tighten until after next step. (see Detail A).
3. Attach the Back Stretcher (H-C) to the Headboard Posts using the same Washers and Bolts as in previous step.
4. Tighten all Bolts using the Allen Wrench (H-G). (see Detail A & B).

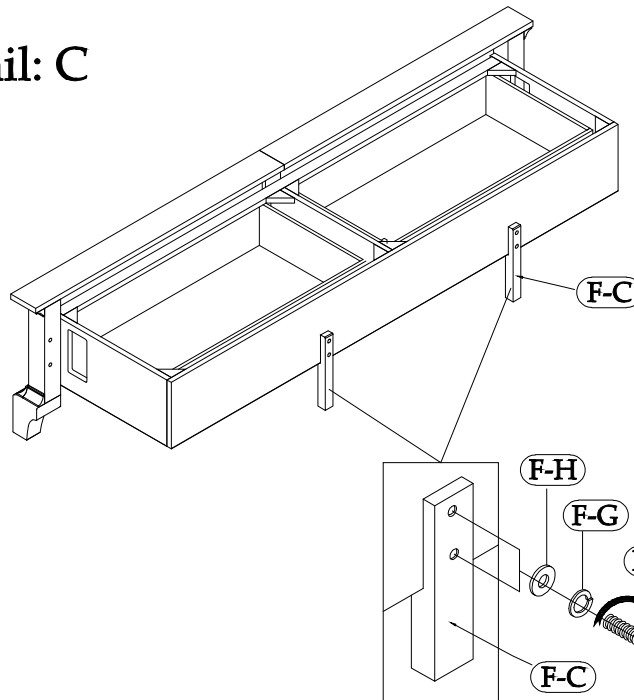
Gently lean the back of the assembled Headboard against the wall where the Bed will be located in the room.



To remove the drawer:

- A. Pull the drawer fully open so the black latch is visible in the inside channel of the guides.
- B. Release the latches by simultaneously pushing one lever up and the other down.
- C. At the same time, pulling the drawer forward until the slides release.

Detail: C



Detail: D

ASSEMBLY STEPS :

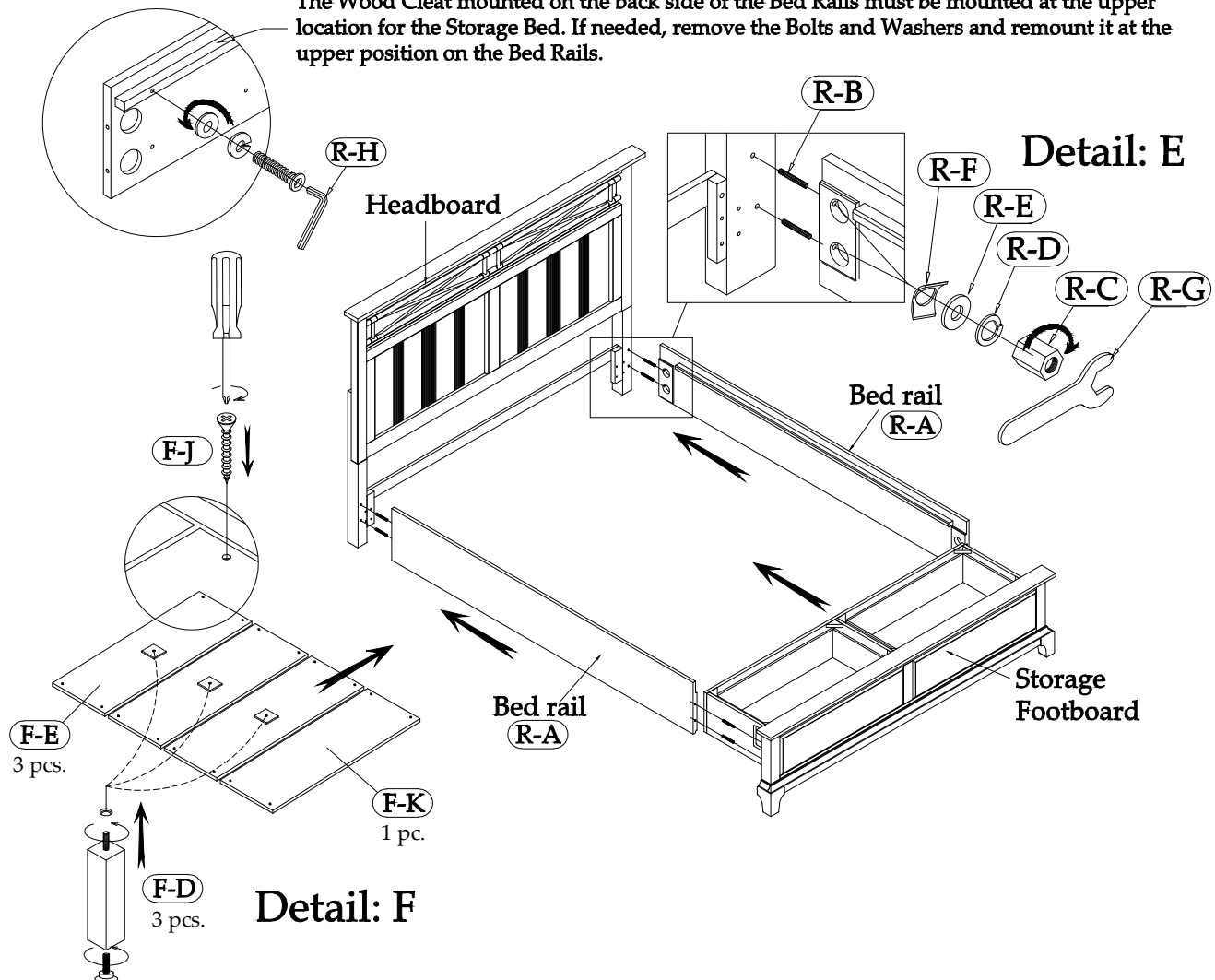
1. Remove both drawers from the Storage Footboard. Refer to the steps above.
2. Place the Storage Footboard (F-A) face down on a clean and soft surface.
3. Attach the Drawer Box Support Legs (F-C) using the Flat Washers (F-H), Spring Washers (F-G) and Bolts (F-F). Tighten with the Allen Wrench (F-I).

ASSEMBLY STEPS :

To prevent possible damage to furniture and personal injury, it is recommended that two people are used to perform the following steps.

5. Install two All-Thread Bolts (R-B) into the metal threaded inserts installed in the Headboard Posts and into the metal inserts on the Storage Footboard.
 6. Carefully position one end of one Bed Rail (R-A) onto the All-thread Bolts on the Headboard and connect using the Arc Washers (R-F), Flat Washers (R-E), Spring Washers (R-D), and Hex Nut (R-C). Only partially tighten the Nuts until the Footboard has been connected. Repeat for other Bed Rail.
 7. Position and connect the Storage Footboard (F-A) to the other end of the Bed Rails, attaching as in the previous Steps.
 8. Carefully align the Storage Footboard to be 'square' with the Headboard. Using the Open Wrench (R-G) tighten all Hex Nuts attaching the Side Rails to the Headboard and Storage Footboard. (See Detail E).
 9. Attach the three Support Legs (F-D) to the bottom side of three Wood Support Panels with Blocks (F-E). The Panel Support Legs must be installed into the 6" x 6" x 1/2" blocks mounted on the bottom side of the panels. (See Detail F). The Support Panel (F-K) used above the drawer compartment does not have a support leg.
 10. Position and attach the Support Panels to the Bed Rails using the Wood Screws (F-J) and your Phillips Screwdriver.
- The levelers located at the bottom of the Support Legs can be adjusted if necessary to support the panels.
11. Reinstall the Drawers into the Footboard by aligning the metal channels of the guides and push back into the Footboard.

The Wood Cleat mounted on the back side of the Bed Rails must be mounted at the upper location for the Storage Bed. If needed, remove the Bolts and Washers and remount it at the upper position on the Bed Rails.

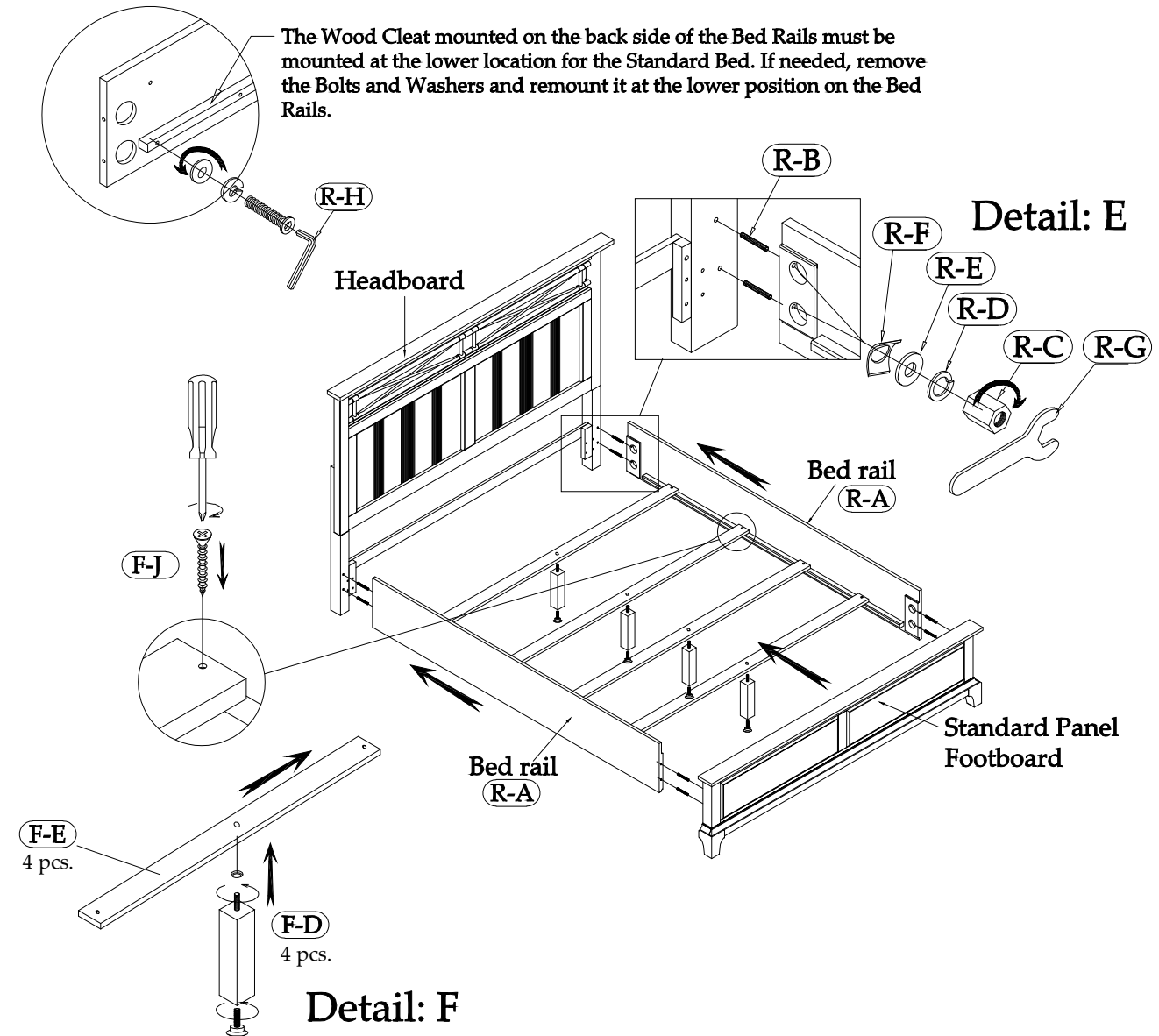


ASSEMBLY STEPS :

To prevent possible damage to furniture and personal injury, it is recommended that two people are used to perform the following steps.

5. Install two All-Thread Bolts (R-B) into the metal threaded inserts installed in the Headboard Posts and into the metal inserts on the Standard Footboard.
6. Carefully position one end of one Bed Rail (R-A) onto the All-thread Bolts on the Headboard and connect using the Arc Washers (R-F), Flat Washers (R-E), Spring Washers (R-D), and Hex Nut (R-C). Only partially tighten the Nuts until the Footboard has been connected. Repeat for other Bed Rail.
7. Position and connect the Footboard (F-A) to the other end of the Bed Rails, attaching as in the previous Steps.
8. Carefully align the Footboard to be 'square' with the Headboard. Using the Open Wrench (R-G) tighten all Hex Nuts attaching the Side Rails to the Headboard and Footboard. (See Detail E).
9. Attach the four Support Legs (F-D) to the bottom side of four Wood Slats (F-E). (See Detail F).
10. Position and attach the Slats to the Bed Rails using the Wood Screws (F-J) and your Phillips Screwdriver.

The levelers located at the bottom of the Support Legs can be adjusted if necessary to support the panels.



5/0 Queen Storage Bed

50770 -- 4/6-5/0 Panel Headboard

50772 -- 5/0-6/6 Bed Rails

50773 -- 5/0 Storage Footboard w/Platform

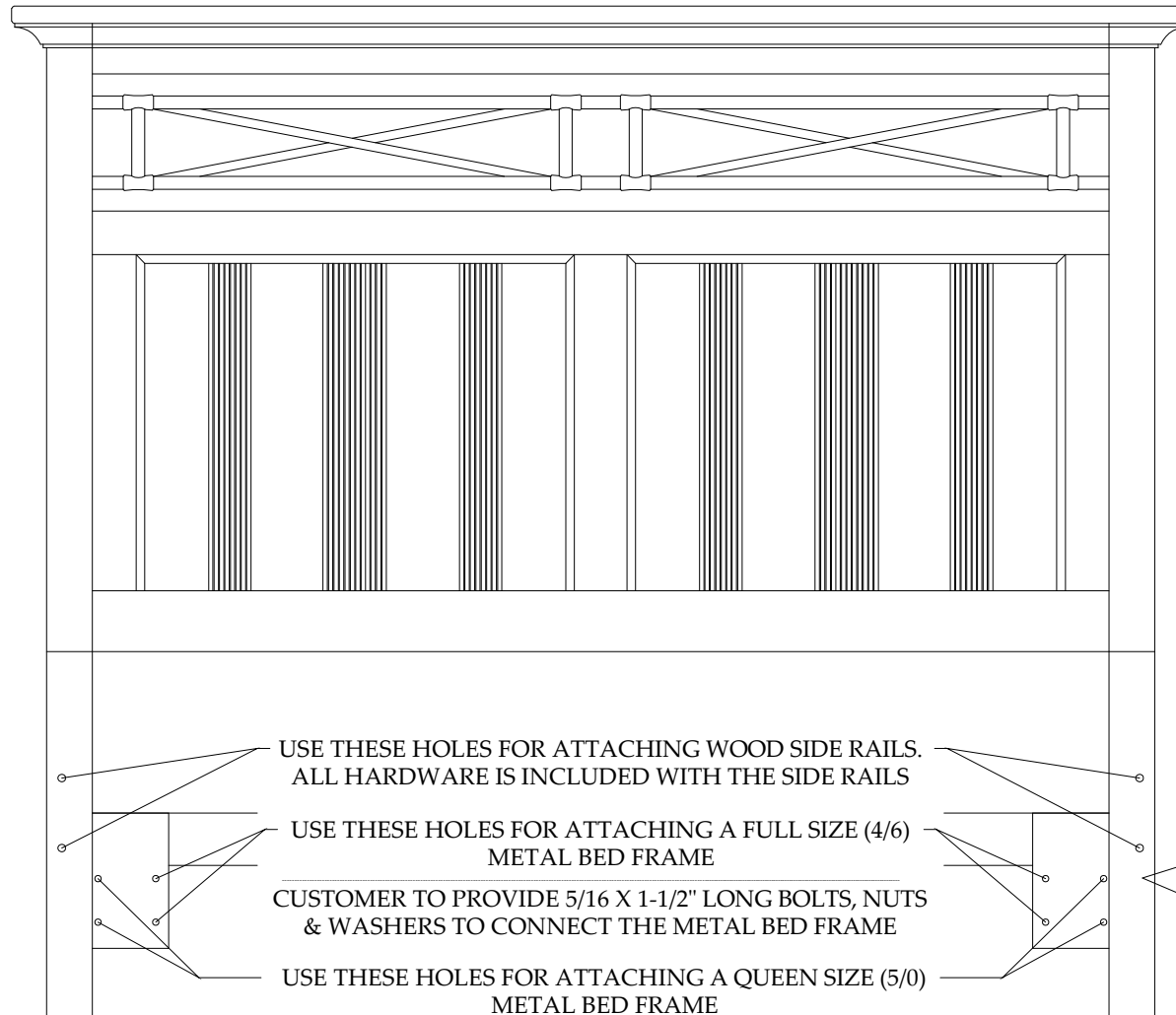
5/0 Queen Standard Bed

50770 -- 4/6-5/0 Panel Headboard

50772 -- 5/0-6/6 Bed Rails

50771 -- 5/0 Panel Footboard w/Slats

*The Headboard may be used alone
with a Queen or Full Size
Metal Bed Frame*



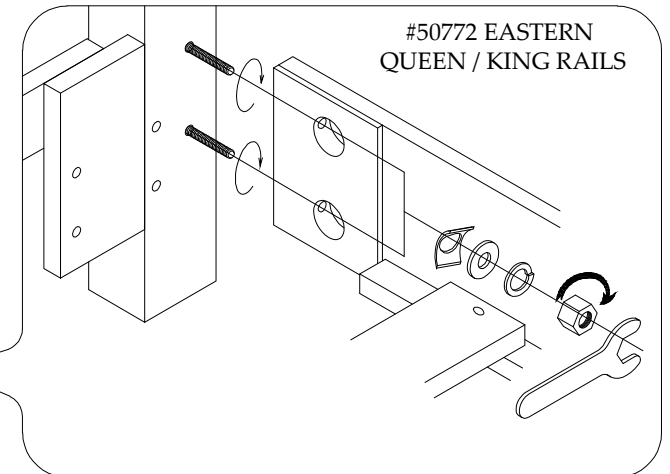
USE THESE HOLES FOR ATTACHING WOOD SIDE RAILS.
ALL HARDWARE IS INCLUDED WITH THE SIDE RAILS

USE THESE HOLES FOR ATTACHING A FULL SIZE (4/6)
METAL BED FRAME

CUSTOMER TO PROVIDE 5/16 X 1-1/2" LONG BOLTS, NUTS
& WASHERS TO CONNECT THE METAL BED FRAME

USE THESE HOLES FOR ATTACHING A QUEEN SIZE (5/0)
METAL BED FRAME

CUSTOMER TO PROVIDE 5/16 X 3-1/2" LONG BOLTS, NUTS
& WASHERS TO CONNECT THE METAL BED FRAME



#50772 EASTERN
QUEEN / KING RAILS