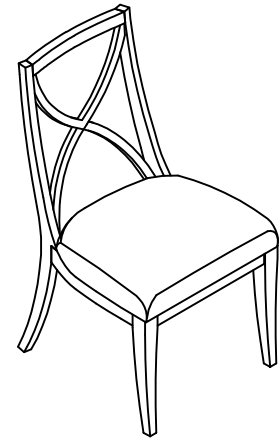

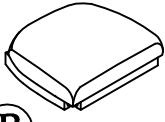

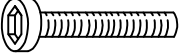
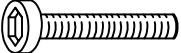
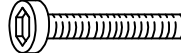




Components and Hardware List (for one chair)




#50357

X Back UPH Side Chair

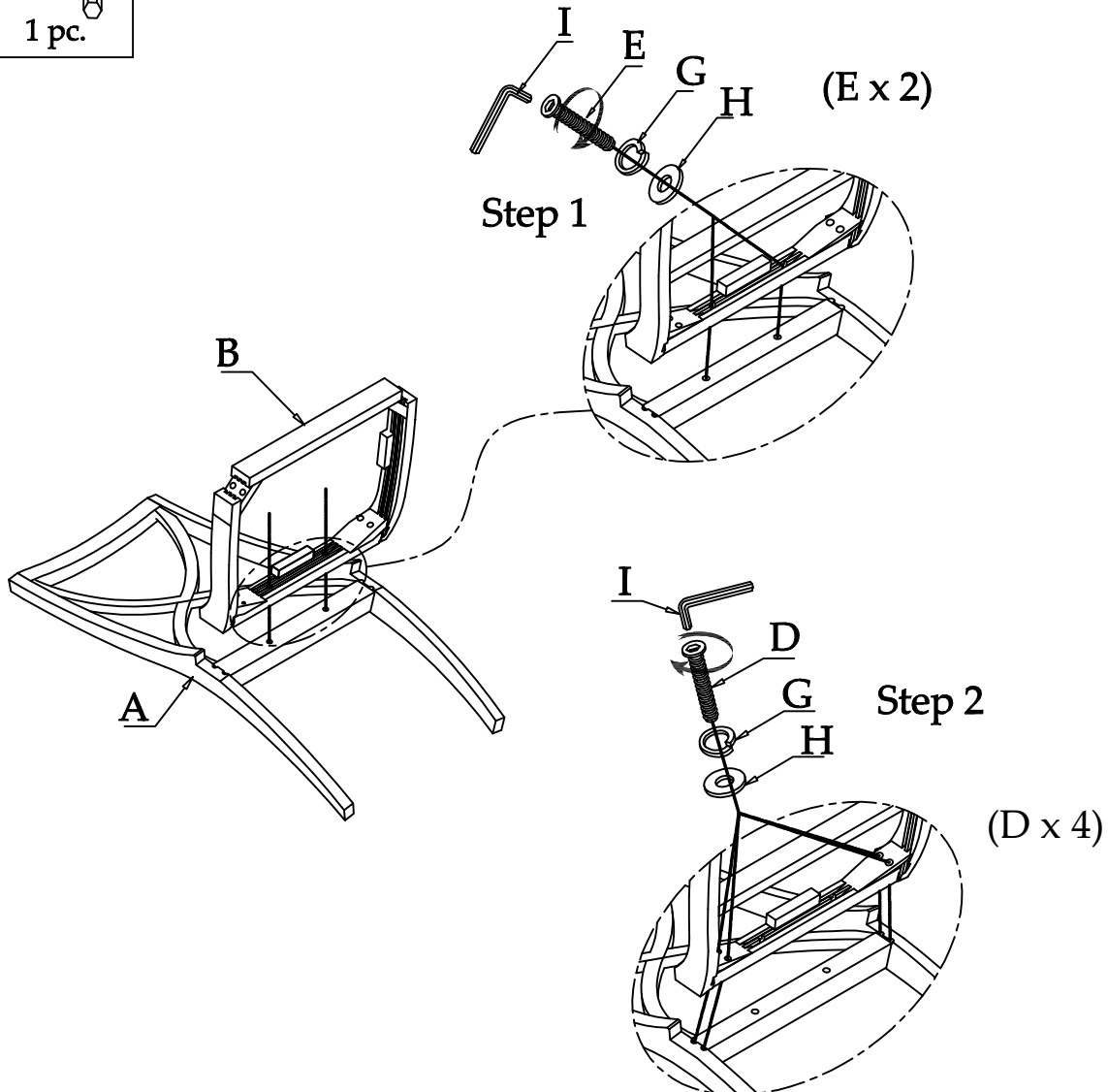
<p>Back Assembly</p>  <p>A 1 pc.</p>	<p>Chair Seat</p>  <p>B 1 pc.</p>	<p>Front Leg</p>  <p>C 2 pcs.</p>	<p>M5/16"-18 x 3-1/8" Allen Head Bolt</p>  <p>D 4 pcs.</p>
<p>M5/16"-18 x 1-3/4" Allen Head Bolt</p>  <p>E 2 pcs.</p>	<p>M5/16"-18 x 2-1/8" Allen Head Bolt</p>  <p>F 4 pcs.</p>	<p>5/16" Spring Washer</p>  <p>G 10 pcs.</p>	<p>5/16" x 19 x 2mm Flat Washer</p>  <p>H 10 pcs.</p>

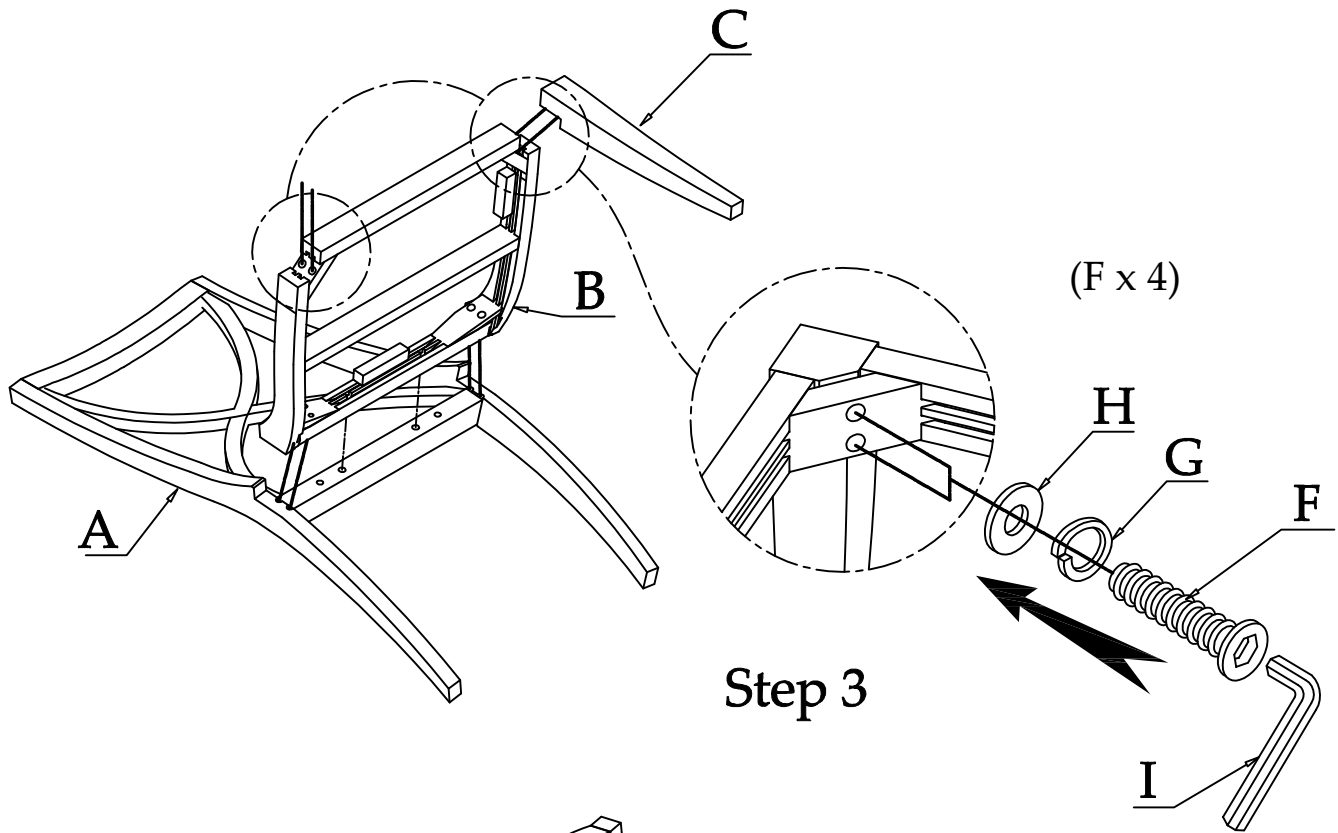
5mm Allen Wrench



I 1 pc.

Be sure to check all packing material carefully for small parts, which may have come loose inside the carton during shipment.





Step 3

