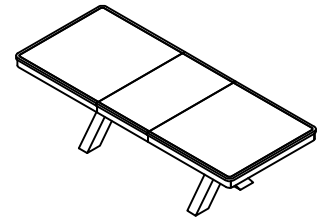
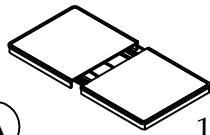


Components Packed in the #50352 Table Top Carton



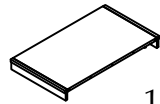
#50352 78-in Trestle Table-Top  
#50348 78-in Trestle Table-Base

Table Top



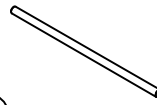
(A) 1 pc.

Table Top Leaf



(B) 1 pc.

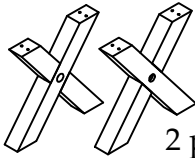
Bottom Stretcher



(C) 1 pc.

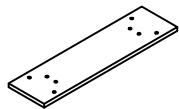
Components and Hardware Packed in the #50348 Table Base Carton

Leg Frames



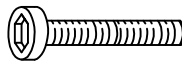
(D) 2 pcs.

Lower Bridge Panel



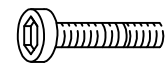
(E) 2 pcs.

M5/16"-18 x 2-7/8"  
Long Allen Head Bolt



(F) 2 pcs.

M5/16"-18 x 1-1/2"  
Long Allen Head Bolt



(G) 16 pcs.

5/16" Spring  
Washer



(H) 18 pcs.

5/16" x 19 x 2mm  
Flat Washer



(I) 18 pcs.

5mm Allen  
Wrench



(J) 1 pc.

Wood Plug

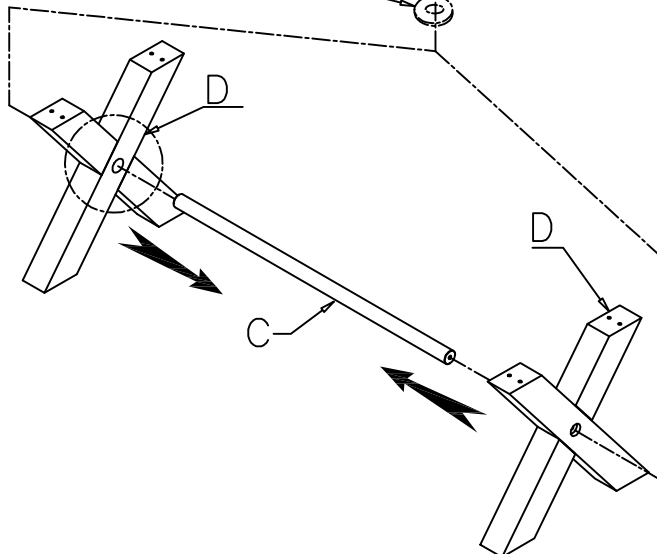
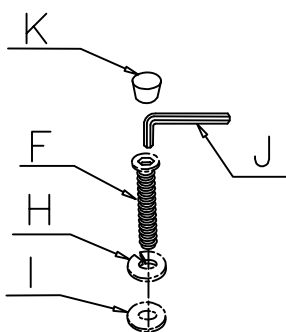


(K) 2 pcs.

Be sure to check all packing material carefully for small parts, which may have come loose inside the carton during shipment.

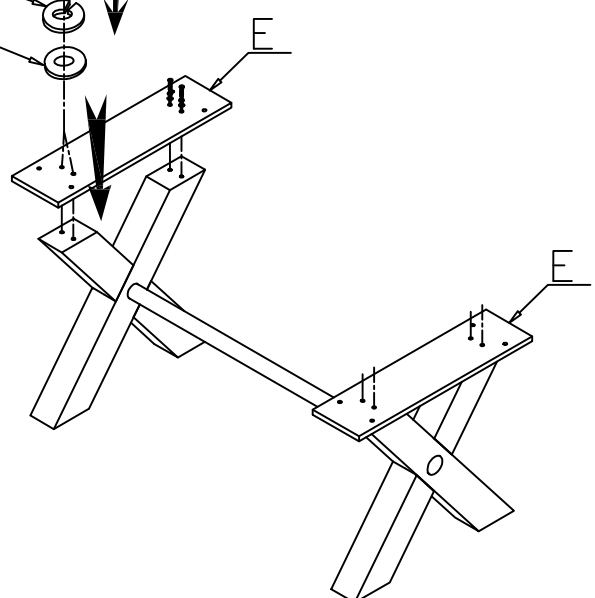
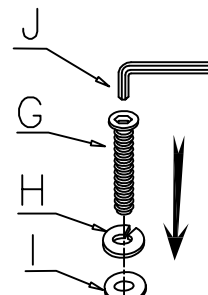
Step 1

(F x 2)



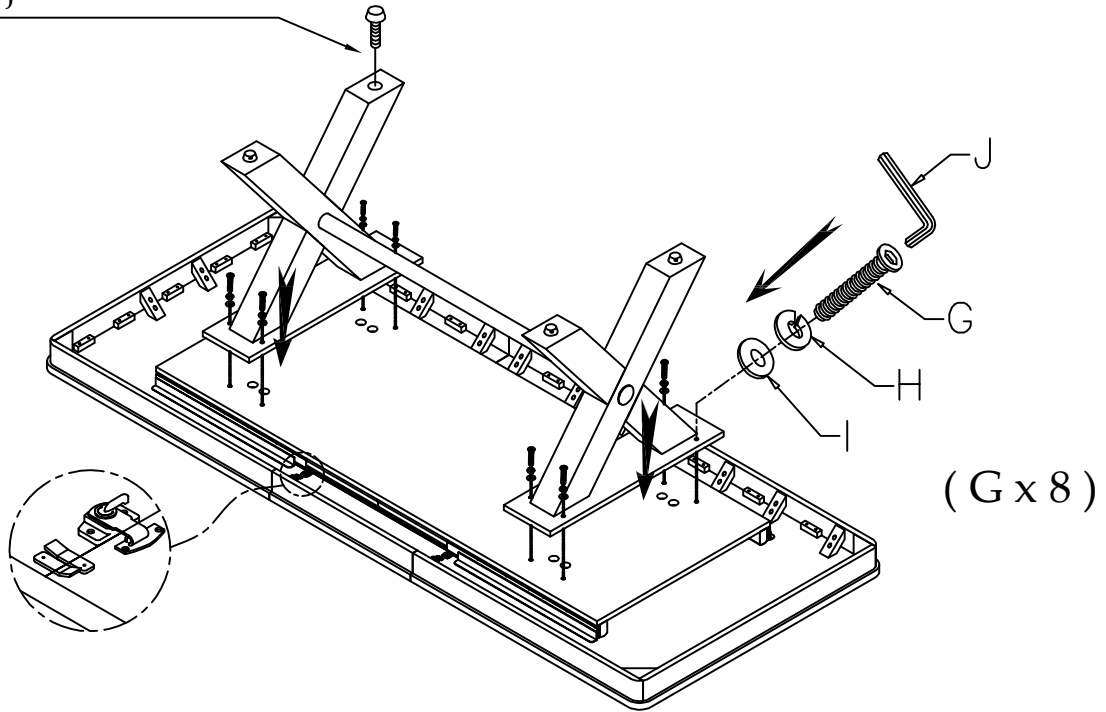
Step 2

(G x 8)



### Step 3

Adjustable leveler



### Step 4

