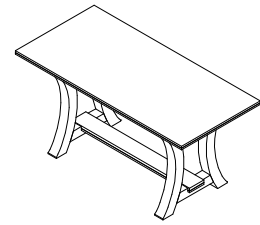


Components and Hardware List



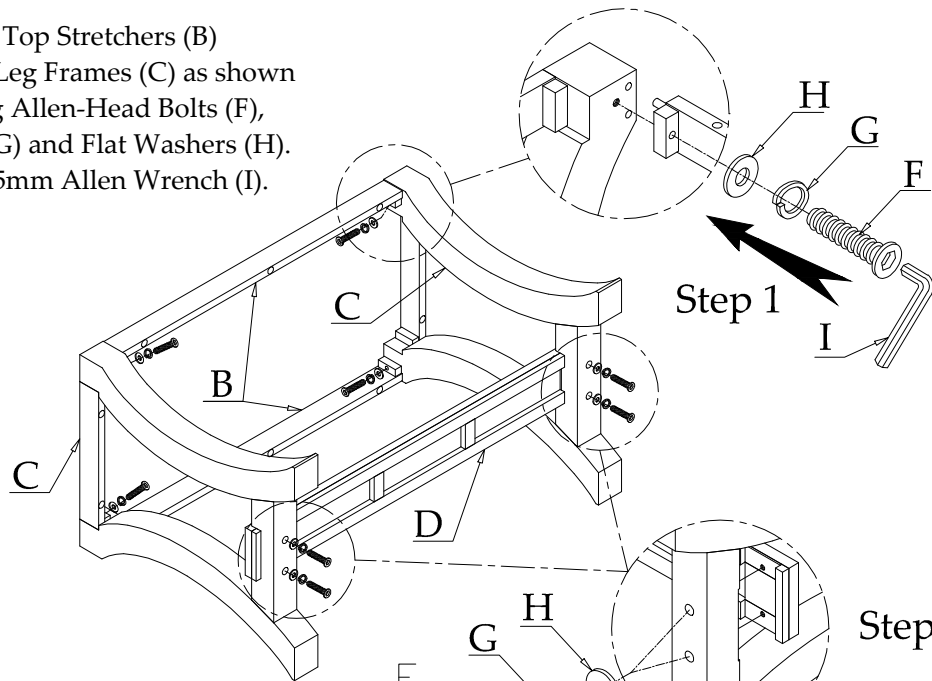
#50346

Counter Height Table

<p>Table Top</p> <p>1 pc.</p>	<p>Top Stretcher</p> <p>2 pcs.</p>	<p>Leg Frames</p> <p>2 pcs.</p>		
<p>Bottom Stretcher</p> <p>1 pc.</p>	<p>M5/16"-18 x 3-3/8" Long Allen Head Bolt</p> <p>14 pcs.</p>	<p>M5/16"-18 x 2" Long Allen Head Bolt</p> <p>4 pcs.</p>	<p>5/16" Spring Washer</p> <p>18 pcs.</p>	<p>5/16" x 19 x 2mm Flat Washer</p> <p>18 pcs.</p>
<p>5mm Allen Wrench</p> <p>1 pc.</p>	<p>Leveler (installed)</p> <p>4 pcs.</p>			

Be sure to check all packing material carefully for small parts, which may have come loose inside the carton during shipment.
To prevent possible scratches and damage, this furniture should be assembled on a soft surface such as a blanket or carpet.

Step 1: Assemble the Top Stretchers (B) between the two Leg Frames (C) as shown using the 2" Long Allen-Head Bolts (F), Spring Washers (G) and Flat Washers (H). Tighten with the 5mm Allen Wrench (I).



Step 1: Assemble the Bottom Stretcher (D) to the two Leg Frames (C) as shown using the 3-3/8" Long Allen-Head Bolts (F), Spring Washers (G) and Flat Washers (H). Tighten with the 5mm Allen Wrench (I).

Step 3: Place the Table Top upside down on a soft surface. Move the assembled Table Base to the bottom of the Table Top. Connect using the 3-3/8" Long Bolts and Washers. Tighten with the Allen Wrench (I). Carefully set the assembled Table upright.

The levelers underneath the Base Feet can be adjusted to compensate for uneven flooring if needed.

