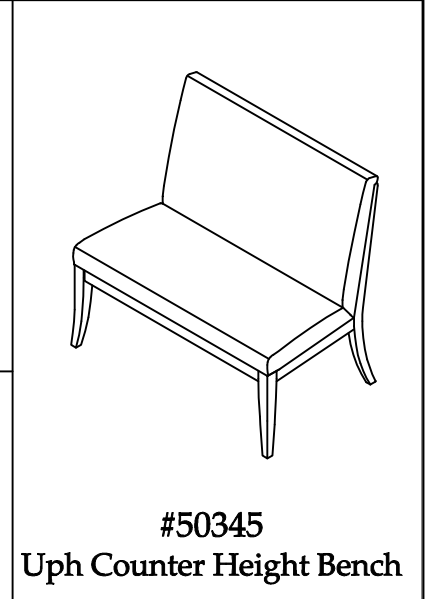
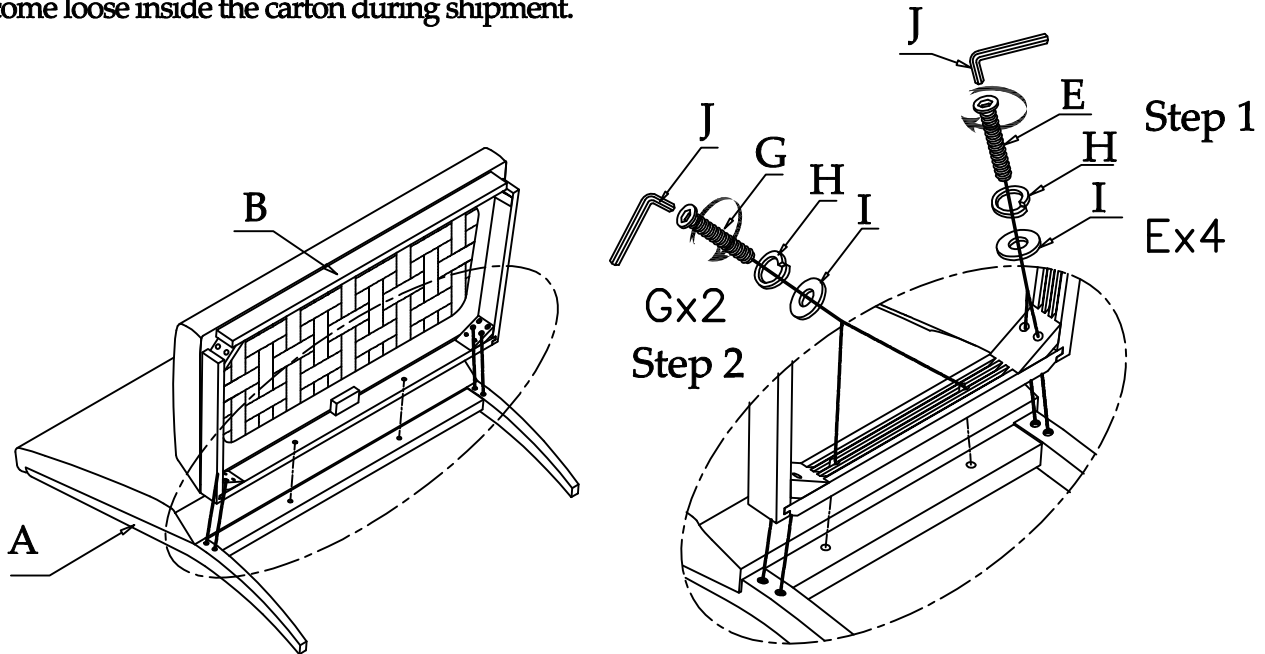


Components and Hardware List (for one chair)



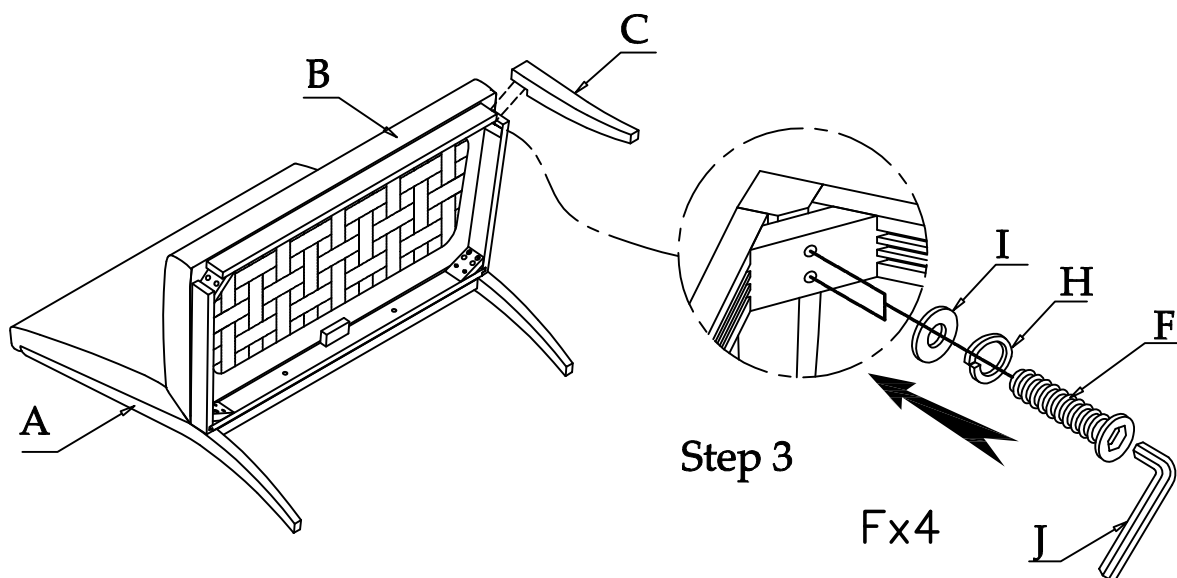
<p>Chair Back</p> <p>(A) 1 pc.</p>	<p>Chair Seat</p> <p>(B) 1 pc.</p>	<p>Front Leg</p> <p>(C) 2 pcs.</p>	
<p>M5/16"-18 x 3-1/8" Allen Head Bolt</p> <p>(E) 4 pcs.</p>	<p>M5/16"-18 x 2-1/8" Allen Head Bolt</p> <p>(F) 4 pcs.</p>	<p>M5/16"-18 x 1-3/4" Allen Head Bolt</p> <p>(G) 2 pcs.</p>	<p>5/16" Spring Washer</p> <p>(H) 10 pcs.</p>
<p>5/16" x 19 x 2mm Flat Washer</p> <p>(I) 10 pcs.</p>	<p>5mm Allen Wrench</p> <p>(J) 1 pc.</p>		

Be sure to check all packing material carefully for small parts, which may have come loose inside the carton during shipment.



Steps:

1. Place the Back Assembly (A) on a soft and smooth surface.
2. Attach the Chair Seat (B) to the Back Assembly (A) by using the 3-1/8" long Bolt (E) Spring Washer (H) and Flat Washer (I) into the back corners of the Seat and 1-3/4" long Bolt (G) Spring Washer (H) and Flat Washer (I) into the middle of the Seat, as shown. **Do not fully tighten Bolts until after next step.**



3. Attach Front Legs (C) to the Chair Seat (B) by using the 2-1/8" long Bolts (F), Spring Washer (H) and Flat Washer (I) as shown in **Step 3**.
4. Turn the Chair upright on a flat surface to level chair and tighten all Bolts using the Allen Wrench (J).

