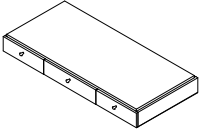
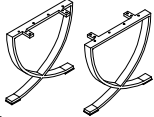
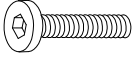



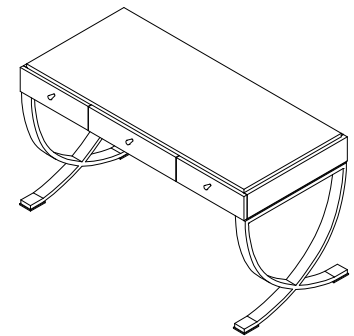


Components and Hardware List

<p>Desk Top</p>  <p>A 1 pc.</p>	<p>Legs</p>  <p>B 2 pcs.</p>	<p>5/16"-18 x -1-5/8" Long Allen-Head Bolt</p>  <p>C 16 pcs.</p>	<p>5/16" Spring Washer</p>  <p>D 16 pcs.</p>
<p>5/16"x19*2mm Flat Washer</p>  <p>E 16 pcs.</p>	<p>5mm Allen Wrench</p>  <p>F 1 pc.</p>		



#50330
WRITING DESK

Be sure to check all packing material carefully for small parts, which may have come loose inside the carton during shipment.

Adjustable leveler

