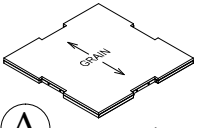
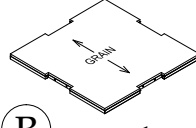
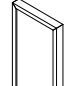
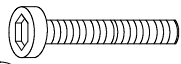



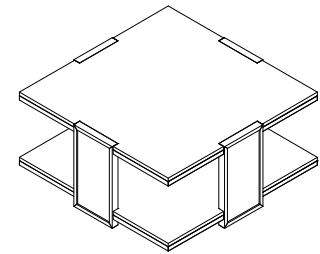


## Components and Hardware List

<b>Table Top</b>  <b>(A)</b> 1 pc.	<b>Table Base</b>  <b>(B)</b> 1 pc.	<b>Side Frame</b>  <b>(C)</b> 4 pcs.	<b>M1/4"-20 x 1-1/2" Long Allen Head Bolt</b>  <b>(D)</b> 16 pcs.
<b>1/4" Spring Washer</b>  <b>(E)</b> 16 pcs.	<b>1/4" x 16 x 2mm Flat Washer</b>  <b>(F)</b> 16 pcs.	<b>4mm Allen Wrench</b>  <b>(G)</b> 1 pc.	



#50301  
Square  
Cocktail Table

Be sure to check all packing material carefully for small parts, which may have come loose inside the carton during shipment.

To prevent possible scratches and damage, this furniture should be assembled on a soft surface such as a blanket or carpet.

Step 1: When assembling the table, the grain direction of the Table Top and Table Base should be running the same direction. Carefully attach the Side Panels (C) to the edges of the Table Top (A) & Table Base (B) using the Allen Head Bolts (D), Spring Washers (E) and Flat Washers (F). Adjust the fit of all parts if needed and Tighten with the Allen Wrench (G).

