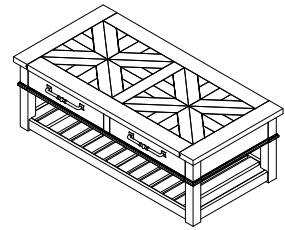


Warning :

- Be sure to check all packing material carefully for small parts, which may have come loose inside the carton during shipment.
- To prevent possible scratches and damage, this furniture **MUST BE ASSEMBLED BY TWO PEOPLE** on a soft surface such as a blanket or carpet.

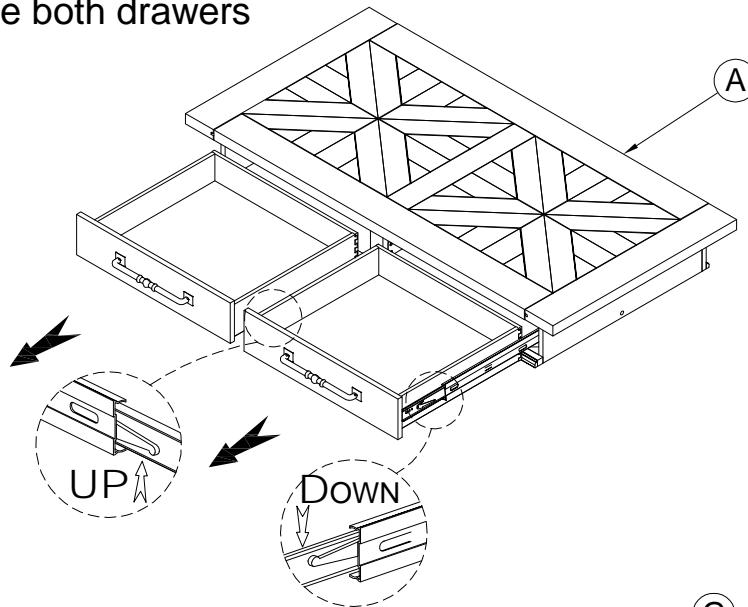


46602
Rectangle Cocktail Table

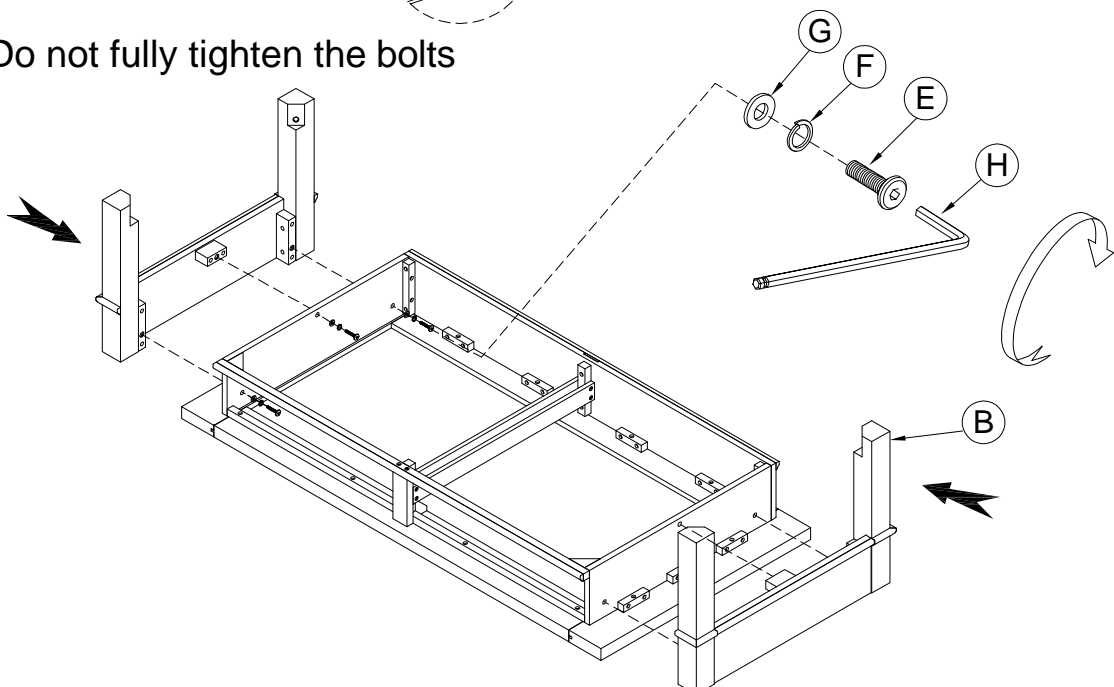
Components and Hardware List

<p>Desk Top</p> <p>A 1 pc.</p>	<p>Leg Frame</p> <p>B 2 pcs.</p>	<p>Shelf</p> <p>C 1 pc.</p>	<p>Allen Head Bolt 5/16" x 2"</p> <p>D 4 pcs.</p>
<p>Allen Head Bolt 5/16" x 1-1/2"</p> <p>E 6 pcs.</p>	<p>5/16" Spring Washer</p> <p>F 10 pcs.</p>	<p>5/16"xØ19 Flat Washer</p> <p>G 10 pcs.</p>	<p>4mm Allen Key</p> <p>H 1 pc.</p>

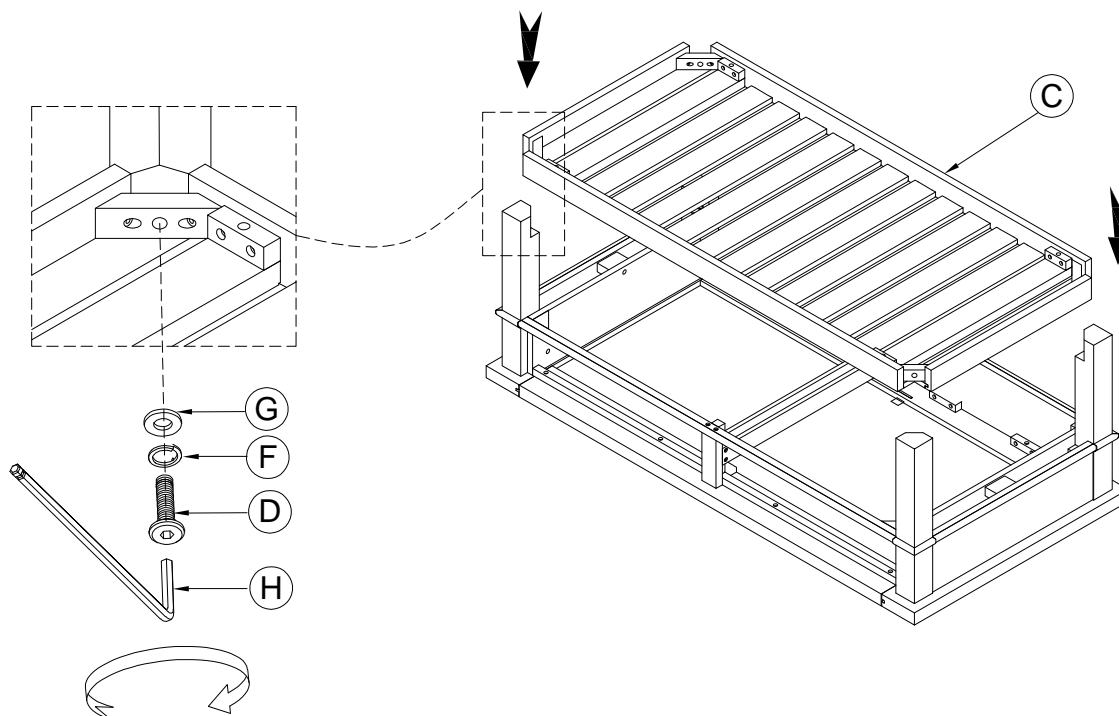
Step 1: Remove both drawers



Step 2: Do not fully tighten the bolts



Step 3: Use the Allen Key to tighten all bolts



Step 4: Install both drawers

