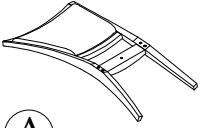
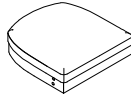
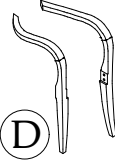
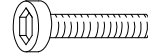
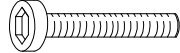




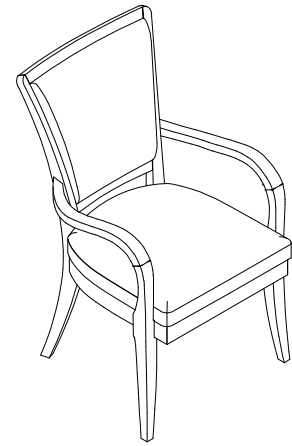
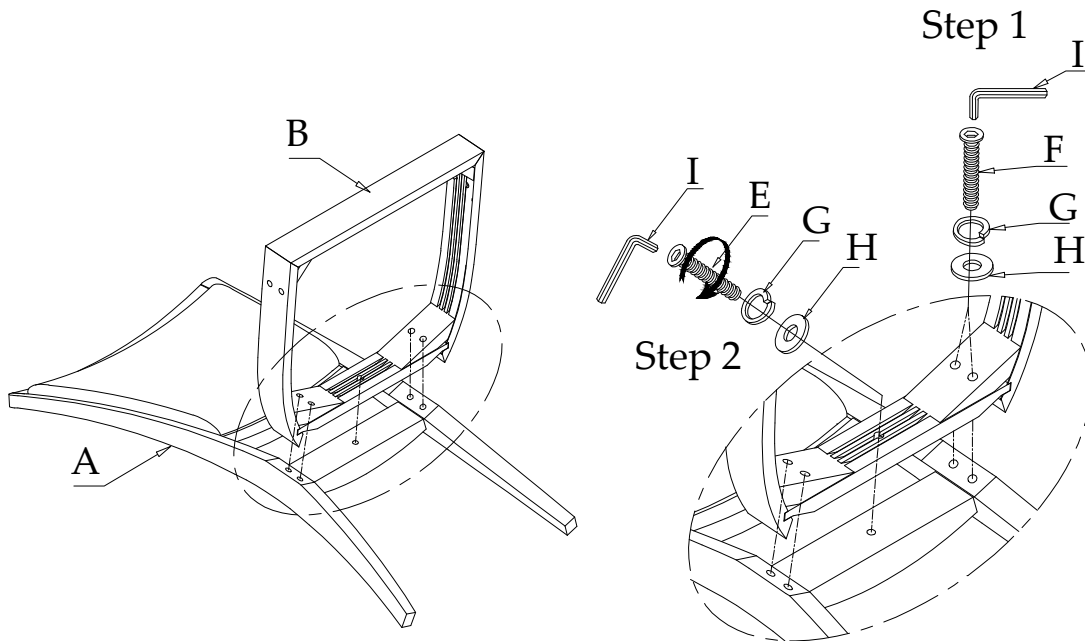


Components and Hardware List (for one Chair)

<p>Chair Back</p>  <p>A 1 pc.</p>	<p>Chair Seat</p>  <p>B 1 pc.</p>		<p>Front Leg & Arm</p>  <p>D 1-Left 1-Right</p>
<p>M5/16"-18 x 1-3/4" Long Allen Head Bolt</p>  <p>E 5 pcs.</p>	<p>M5/16"-18 x 2-3/4" Long Allen Head Bolt</p>  <p>F 4 pcs.</p>	<p>5/16" Spring Washer</p>  <p>G 9 pcs.</p>	<p>5/16" *19*2mm Flat Washer</p>  <p>H 9 pcs.</p>
<p>5mm Allen Wrench</p>  <p>I 1 pc.</p>	<p>#8 x 1-1/4" Wood Screw</p>  <p>J 2 pcs.</p>		<p>Be sure to check all packing material carefully for small parts, which may have come loose inside the carton during shipment.</p>

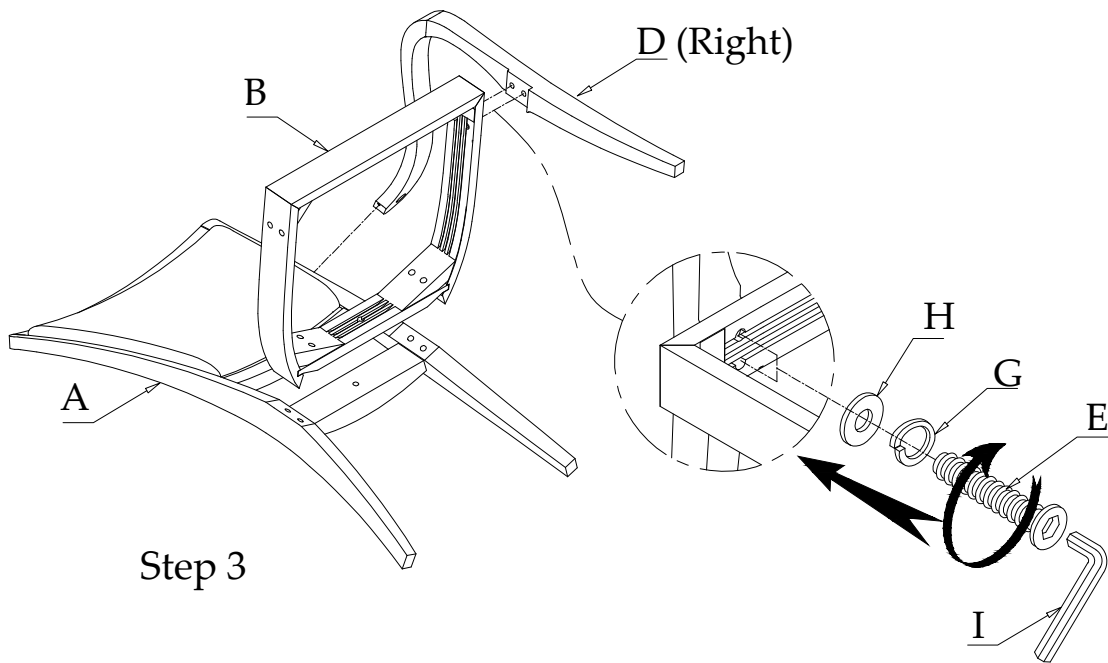


#46156 Upholstered Arm Chair 2in



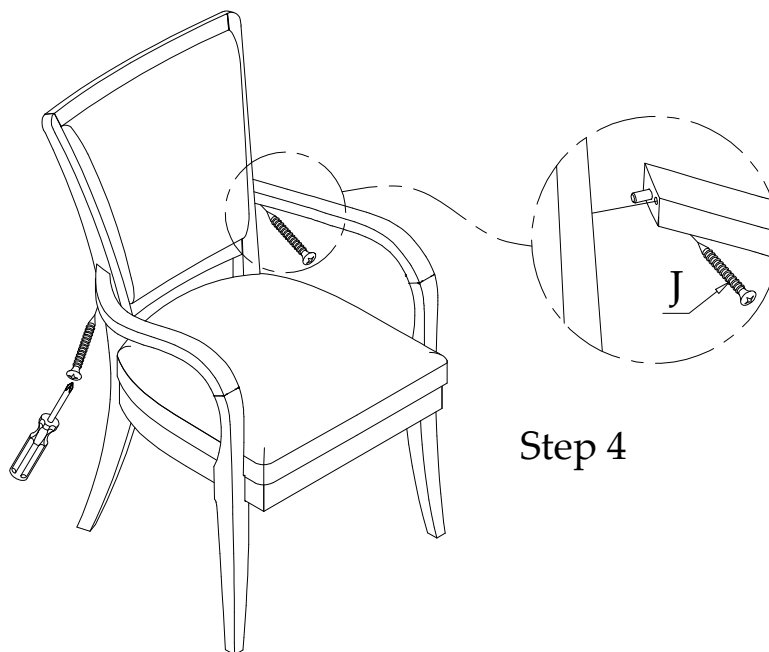
Steps:

1. Place the Back Assembly (A) on a soft and smooth surface.
2. Attach Chair Seat (B) to the Back Assembly (A) by using the 2-3/4" long Bolt (F) Spring Washer (G) and Flat Washer (H) into the back corners of the Seat and 1-3/4" long Bolt (E) Spring Washer (G) and Flat Washer (H) into the middle of the Seat, as shown. **Do not fully tighten Bolts until after next step.**



Step 3

3. Attach Left and Right Front Legs & Arm (D) to the Chair Seat and Back by using the 1-3/4" long Bolts (E) Spring Washer (G) and Flat Washer (H) as shown in **Step 3**.
4. Turn the Chair upright on a flat surface to level Chair. Pull the back end of each Arm snug to the Chair Back and using your Phillips Screwdriver install the Wood Screw(J).
5. Reach underneath the chair seat and tighten the Bolts at the front of the Arm using the Allen Wrench. Repeat for the other Arm.



Step 4