

#46130-1

Riverside
FURNITURE

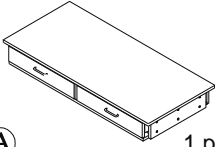
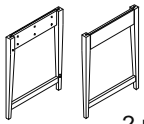
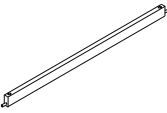
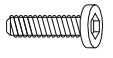


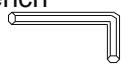
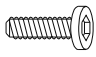
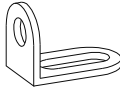
email: info@riverside-furniture.com

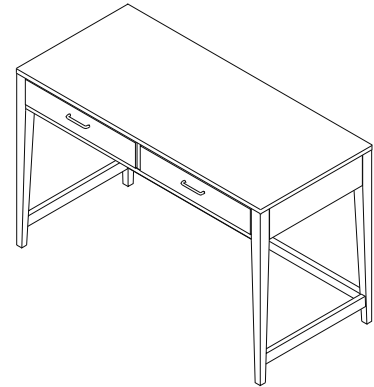
Vogue
Home Office
Assembly Instructions

Page 1 of 2

Made in Viet Nam

Components and Hardware List

<p>Desk Top</p>  <p>(A) 1 pc.</p>	<p>End Frame (Right & Left)</p>  <p>(B) 2 pcs.</p>	<p>Back Stretcher</p>  <p>(C) 1 pc.</p>
<p>M5/16" x 1-3/8" Allen Head Bolt</p>  <p>(D) 12 pcs.</p>	<p>5/16"x19x2mm Flat Washer</p>  <p>(E) 20 pcs.</p>	<p>5/16" Spring Washer</p>  <p>(F) 20 pcs.</p>
<p>5mm Allen Wrench</p>  <p>(G) 1 pc.</p>	<p>M5/16" x 5/8" Allen Head Bolt</p>  <p>(H) 8 pcs.</p>	<p>'L' Bracket</p>  <p>(L) 4 pcs.</p>



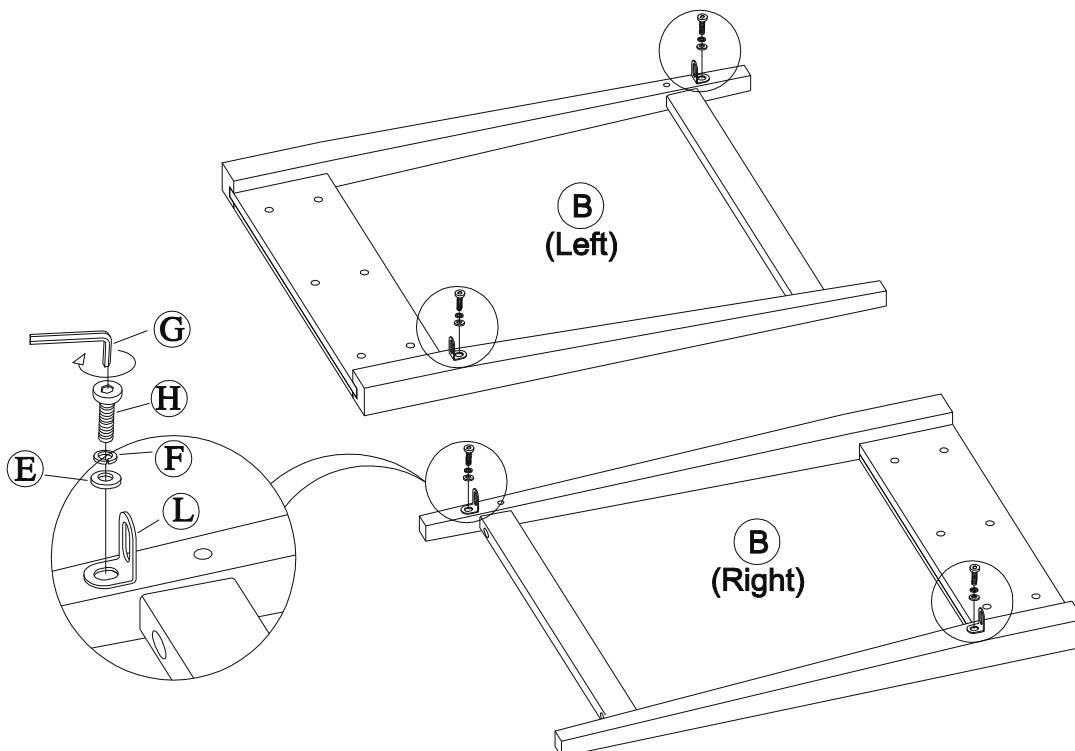
#46130
Writing Desk

<p>Furniture Tipping Restraint Kit</p>  <p>(P) 1 pc.</p>

Be sure to check all packing material carefully for small parts, which may have come loose inside the carton during shipment.

Step 1. Place the Writing Desk Top (A) and End Frames (B) face down on a clean and soft surface.

Step 2. Assemble the L-Brackets (L) to the End Frames using the Allen Head Bolts (H) Spring Washers (F) and Flat Washers (E). Check that they are oriented correctly and tighten with the Allen Wrench (G) as shown.



#46130-2

Riverside
FURNITURE

email: info@riverside-furniture.com

Vogue
Home Office
Assembly Instructions

Page 2 of 2

Made in Viet Nam

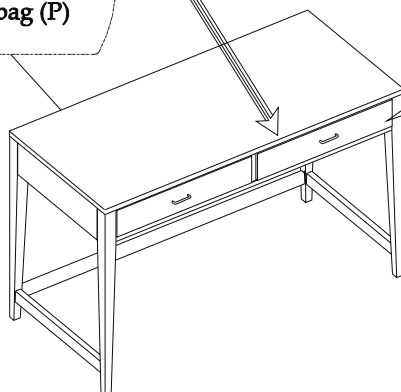
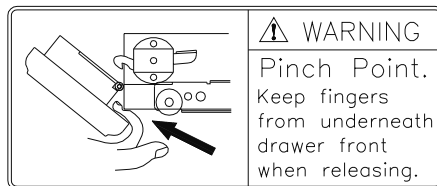
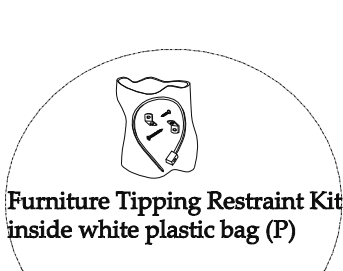
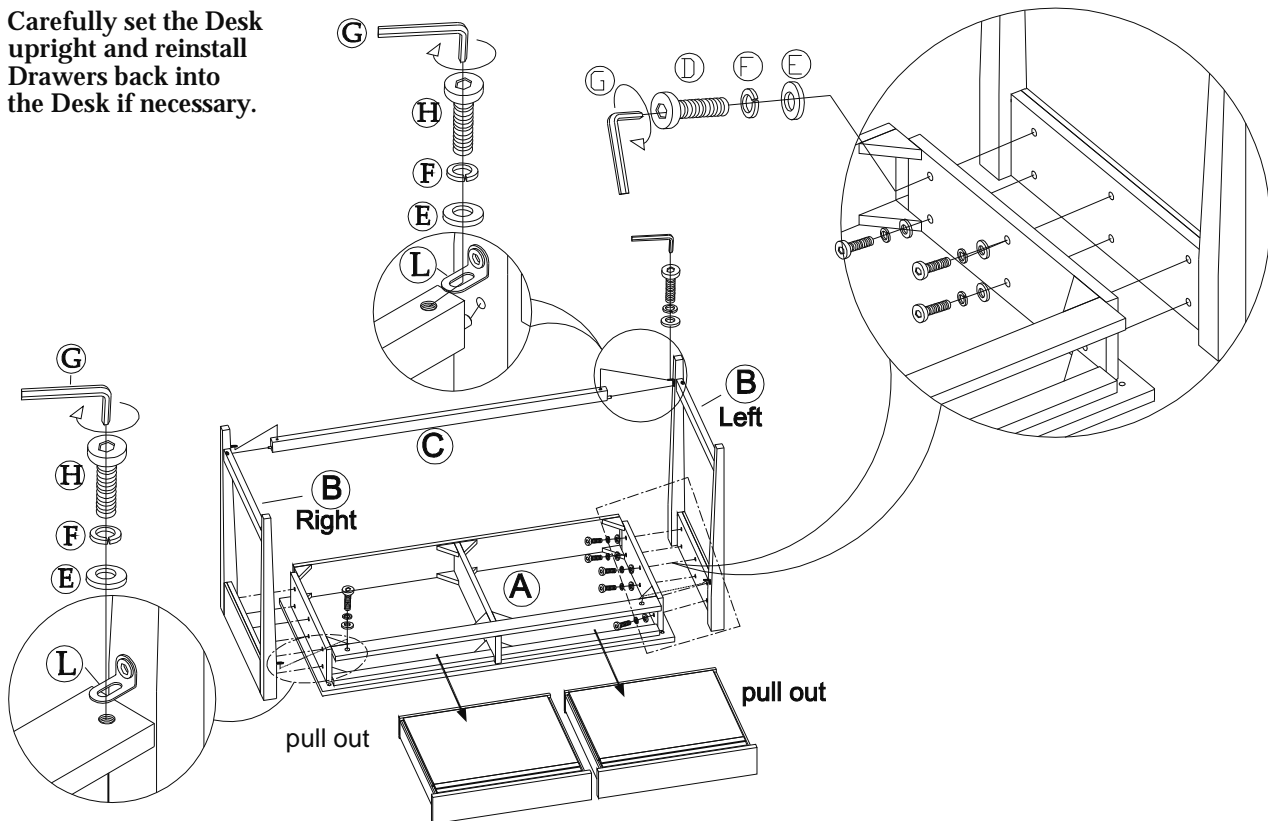
Step 3. Connect the End Frames (B) to the proper end of the Desk Top using the Allen Head Bolts (D), Spring Washers (F), and Flat Washers (E). Only partially install bolts until the entire Desk has been assembled.

Step 4. Install the Back Stretcher (C) between the two End Frames.

Step 5. Tighten Bolts previously installed using the 5mm Allen Wrench.

Step 6. Connect the ends of the Back Stretcher using the Allen Head Bolts (H), Spring Washers (F) and Flat Washers (E). While pulling end of Stretcher snug to the End Frame, tighten bolts using the 4mm Allen Wrench (G).

Carefully set the Desk upright and reinstall Drawers back into the Desk if necessary.



If it becomes necessary to remove a drawer, follow these steps. With the drawer fully open, the drawer slides must be released by pushing the "trigger" located in the slide either up or down, depending on which slide is being released. With both triggers pushed, gently pull the drawer until the slides release.

Carefully reinstall the drawers by aligning the channels of the drawer slides and gently pushing the drawers back into the cabinet.