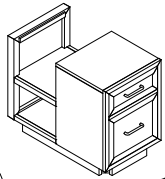
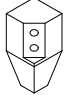
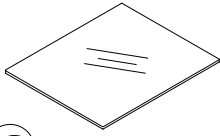
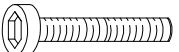


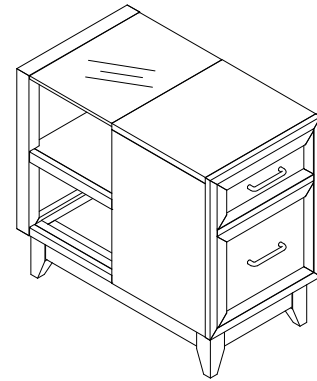
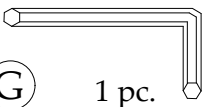


## Components and Hardware List

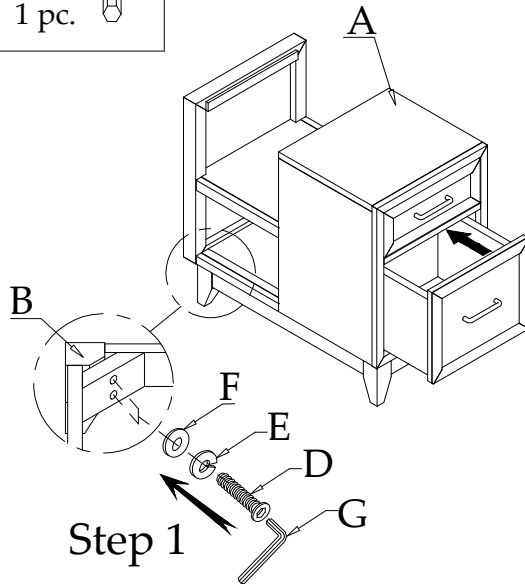
Table Top	Leg	Glass Top
 <p><b>(A)</b> 1 pc.</p>	 <p><b>(B)</b> 4 pcs.</p>	 <p><b>(C)</b> 1 pc.</p>
<p>M5/16"-18 x 2" Long Allen Head Bolt</p>  <p><b>(D)</b> 8 pcs.</p>	<p>5/16" Spring Washer</p>  <p><b>(E)</b> 8 pcs.</p>	<p>5/16" x 19 x 2mm Flat Washer</p>  <p><b>(F)</b> 8 pcs.</p>



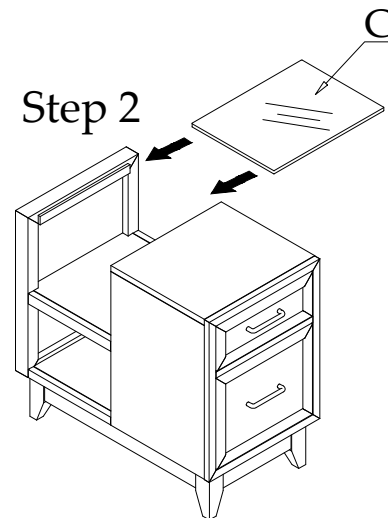
#46112  
Chairside Table

<p>5mm Allen Wrench</p>  <p><b>(G)</b> 1 pc.</p>
--

Be sure to check all packing material carefully for small parts, which may have come loose inside the carton during shipment.



Step 1



Step 2

To prevent possible scratches and damage, this furniture should be assembled by two people on a soft surface such as a blanket or carpet.

Step 1: Place the Table Top (A) upside down. Attach a Leg (B) into each corner using the 2" long Allen Head Bolts (D), Spring Washers (E) and Flat Washers (F). Tighten using the Allen Wrench (G).

Step 2: Set the table upright and install the Glass Top (C) onto the table.