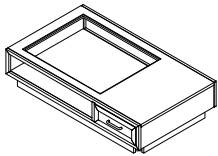

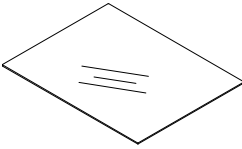
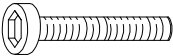


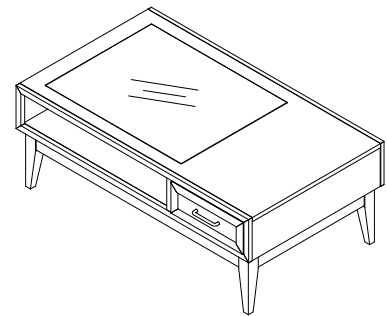
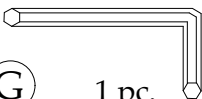


Components and Hardware List

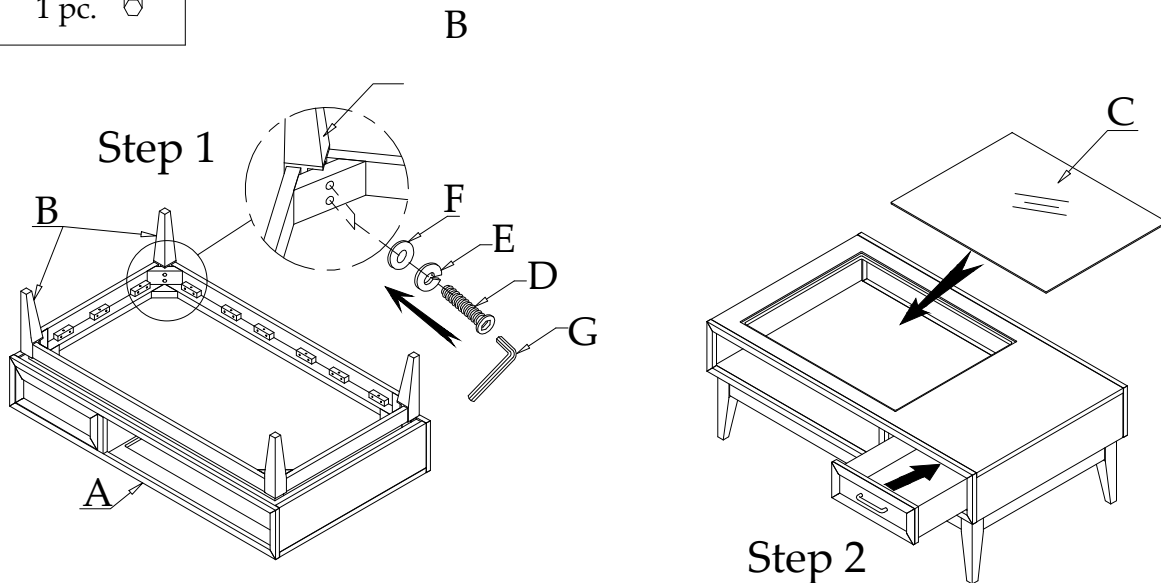
Table Top	Leg	Glass Top
 (A) 1 pc.	 (B) 4 pcs.	 (C) 1 pc.
M5/16"-18 x 2" Long Allen Head Bolt  (D) 8 pcs.	5/16" Spring Washer  (E) 8 pcs.	5/16" x 19 x 2mm Flat Washer  (F) 8 pcs.



#46102
Cocktail Table

5mm Allen Wrench  (G) 1 pc.
--

Be sure to check all packing material carefully for small parts, which may have come loose inside the carton during shipment.



To prevent possible scratches and damage, this furniture should be assembled by two people on a soft surface such as a blanket or carpet.

Step 1: Place the Table Top (A) upside down. Attach a Leg (B) into each corner using the 2" long Allen Head Bolts (D), Spring Washers (E) and Flat Washers (F). Tighten using the Allen Wrench (G).

Step 2: Set the table upright and install the Glass Top (C) onto the table.