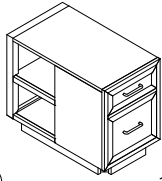


## Components and Hardware List

Table Top



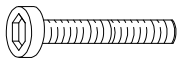
(A) 1 pc.

Leg



(B) 4 pcs.

M5/16"-18 x 2"  
Long Allen Head  
Bolt



(D) 8 pcs.

5/16" Spring  
Washer

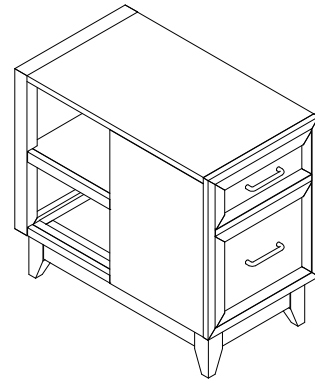


(E) 8 pcs.

5/16" x 19 x 2mm  
Flat Washer

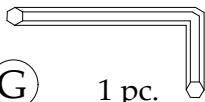


(F) 8 pcs.



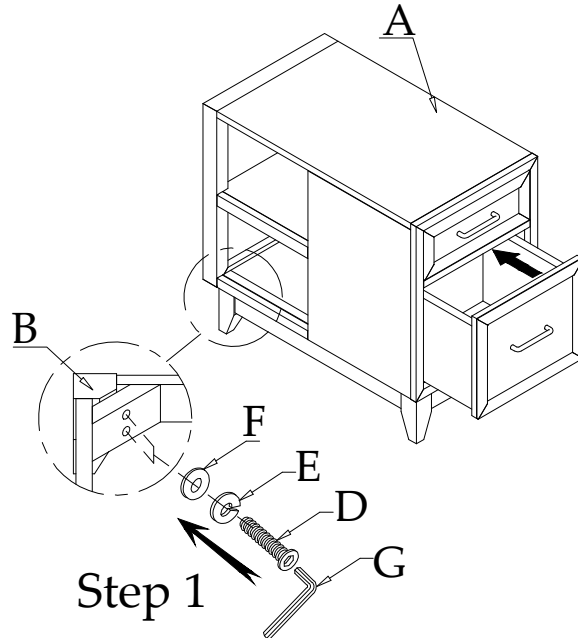
#46012-46212  
Chairside Table

5mm Allen  
Wrench



(G) 1 pc.

Be sure to check all packing material carefully for small parts, which may have come loose inside the carton during shipment.



Step 1

To prevent possible scratches and damage, this furniture should be assembled by two people on a soft surface such as a blanket or carpet.

Step 1: Place the Table Top (A) upside down. Attach a Leg (B) into each corner using the 2" long Allen Head Bolts (D), Spring Washers (E) and Flat Washers (F). Tighten using the Allen Wrench (G).