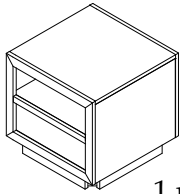


Components and Hardware List

Table Top



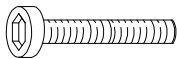
(A) 1 pc.

Leg



(B) 4 pcs.

M5/16"-18 x 2"
Long Allen Head
Bolt



(D) 8 pcs.

5/16" Spring
Washer



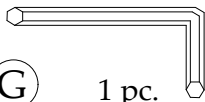
(E) 8 pcs.

5/16" x 19 x 2mm
Flat Washer

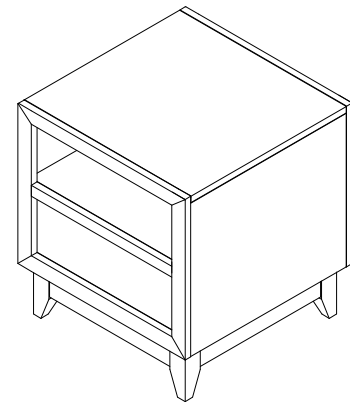


(F) 8 pcs.

5mm Allen
Wrench

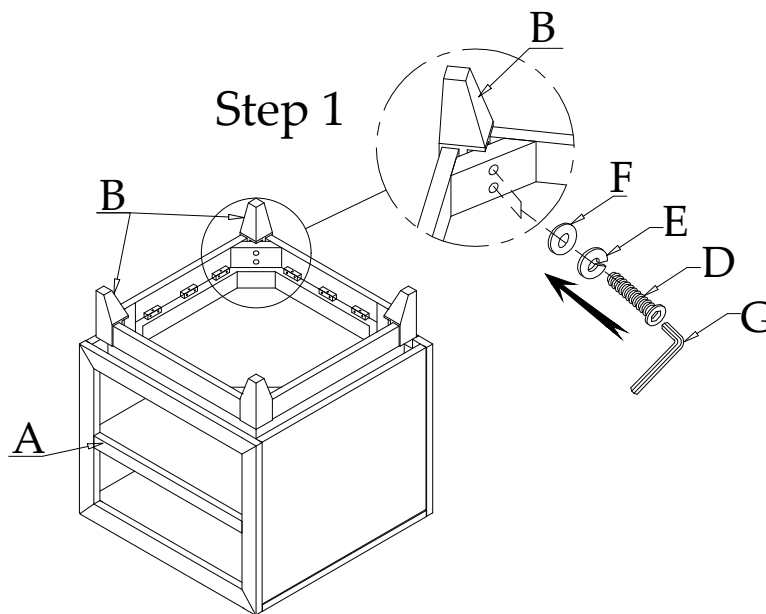


(G) 1 pc.



#46009-46209
End Table

Be sure to check all packing material carefully for small parts, which may have come loose inside the carton during shipment.



To prevent possible scratches and damage, this furniture should be assembled by two people on a soft surface such as a blanket or carpet.

Step 1: Place the Table Top (A) upside down. Attach a Leg (B) into each corner using the 2" long Allen Head Bolts (D), Spring Washers (E) and Flat Washers (F). Tighten using the Allen Wrench (G).