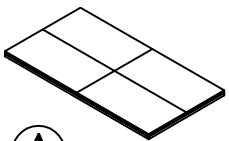
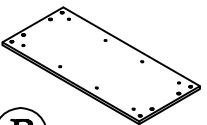

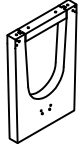
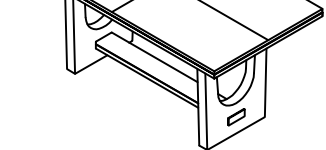
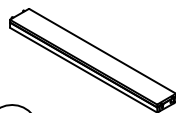
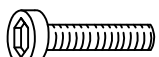





Components and Hardware List

<p>Table Top</p>  <p>(A) 1 pc.</p>	<p>Shelf</p>  <p>(B) 1 pc.</p>	<p>Stretcher</p>  <p>(C) 2 pcs.</p>	<p>Side Frame</p>  <p>(D) 2 pcs.</p>	 <p>#45953 Rect Counter Ht Din Table</p>
<p>Bottom Stretcher</p>  <p>(E) 1 pc.</p>	<p>M5/16"-18 x 1-3/4" Allen Head Bolt</p>  <p>(F) 24 pcs.</p>	<p>M5/16" Spring Washer</p>  <p>(G) 24 pcs.</p>	<p>M5/16" x 19 x 2mm Flat Washer</p>  <p>(H) 24 pcs.</p>	<p>5mm Allen Wrench</p>  <p>(I) 1 pc.</p>

Be sure to check all packing material carefully for small parts, which may have come loose inside the carton during shipment.

