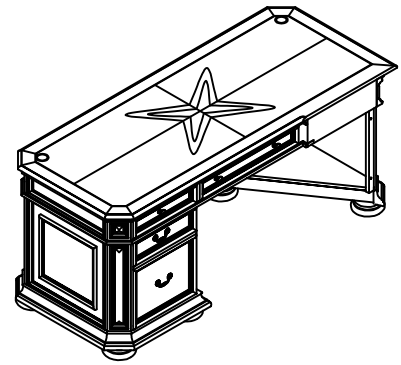










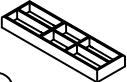


Components and Hardware List

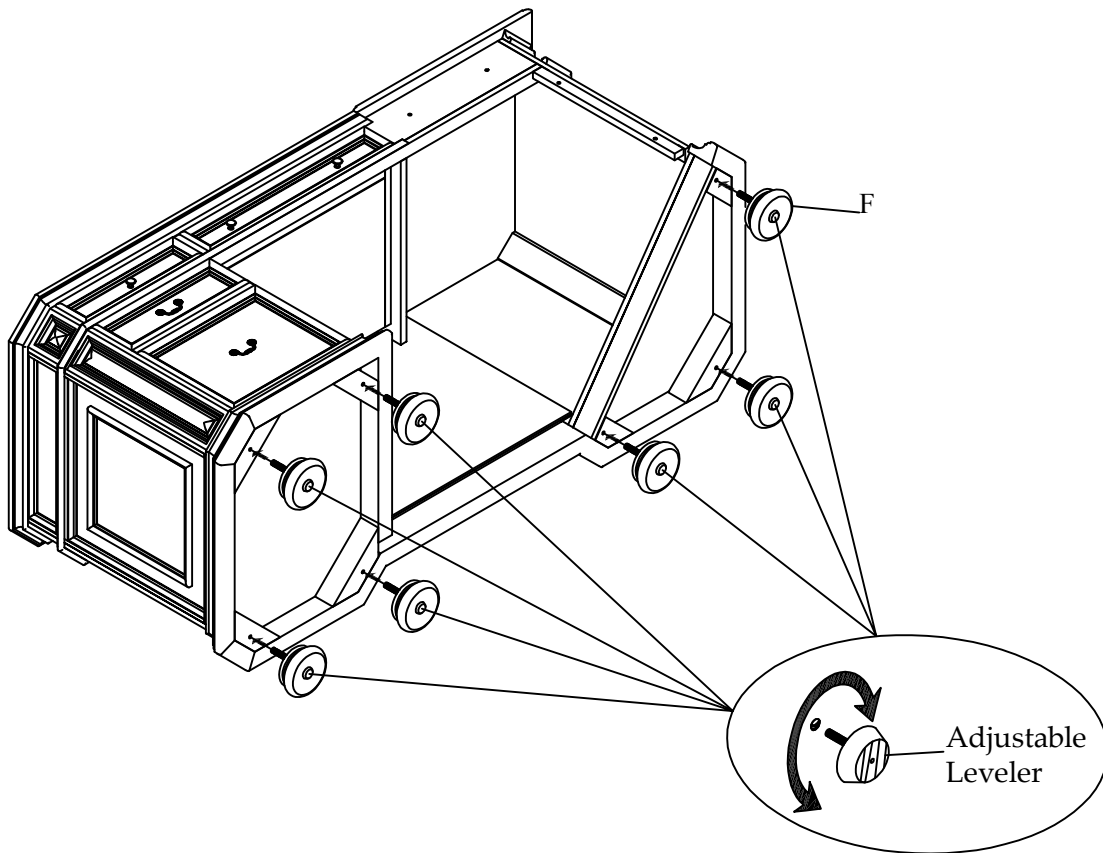


44728 L-Desk And Return

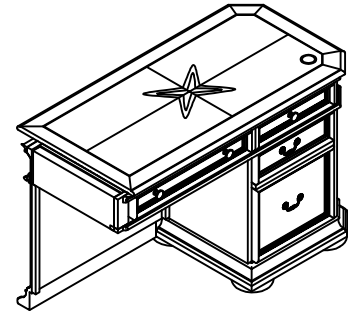
<p>Grommet</p>  <p>(A) 3 pcs.</p>	<p>Flat Washer</p>  <p>(B) 14 pcs.</p>	<p>Lock Washer</p>  <p>(C) 14 pcs.</p>	<p>Allen Head Bolt 1/4" x 1-1/2"</p>  <p>(D) 14 pcs.</p>	<p>4mm Allen Wrench</p>  <p>(E) 1 pc.</p>
<p>Bun Foot</p>  <p>(F) 11 pcs.</p>	<p>File Rod & Clips</p>  <p>(G) 2 sets.</p>	<p>Back Panel</p>  <p>(H) 1 pc.</p>	<p>L Return Base</p>  <p>(I) 1 pc.</p>	<p>L Return Top</p>  <p>(K) 1 pc.</p>
<p>Pencil Tray</p>  <p>(L) 2 pcs.</p>				

Be sure to check all packing material carefully for small parts, which may have come loose inside the carton during shipment.

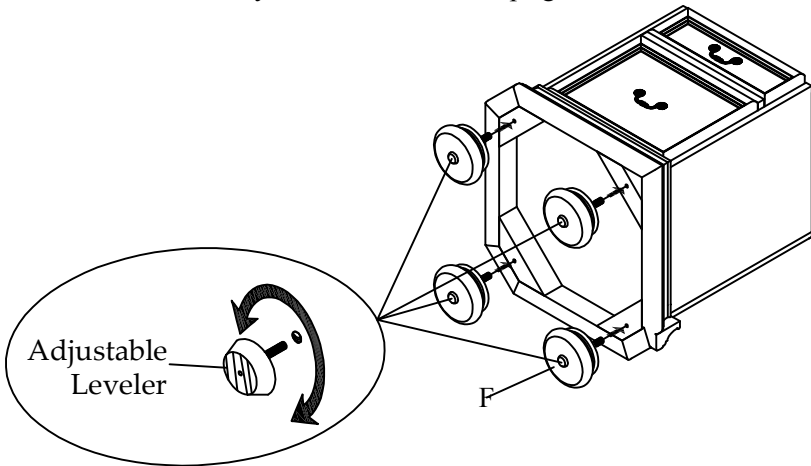
Step 1 : Assemble the seven bun feet (A) onto the bottom. Carefully set the Desk back upright.



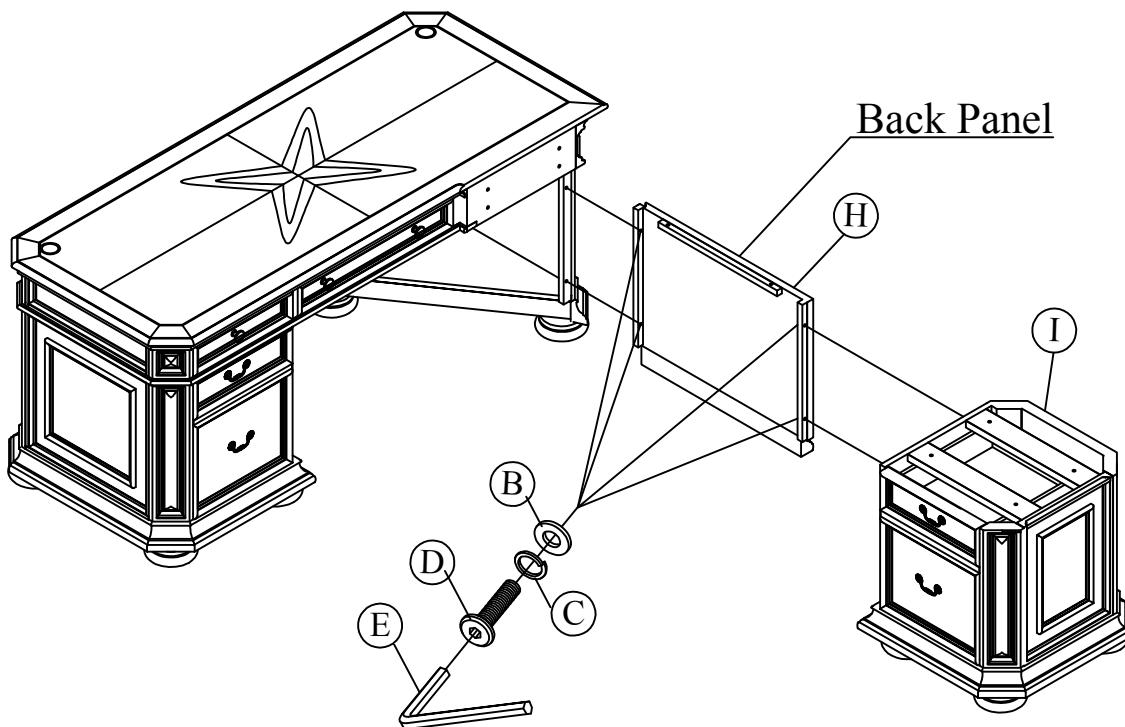
Step 2 : Place the Return on a clean, soft surface such as a blanket or carpet and assemble the four bun feet onto the bottom. Carefully set the return back upright.



44728 Return

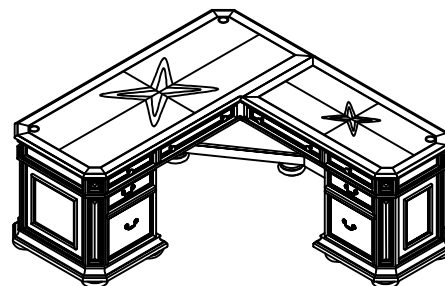


Step 3 : Assemble the back panel to the desk and the return, using the Allen-Head Bolts (D), Lock Washers (C) and Flat Washers (B). Tighten the Allen Bolts using the Allen Wrench (E).

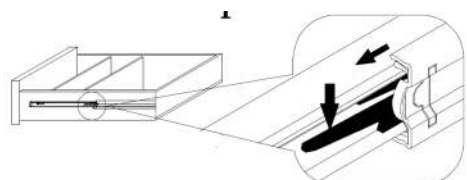
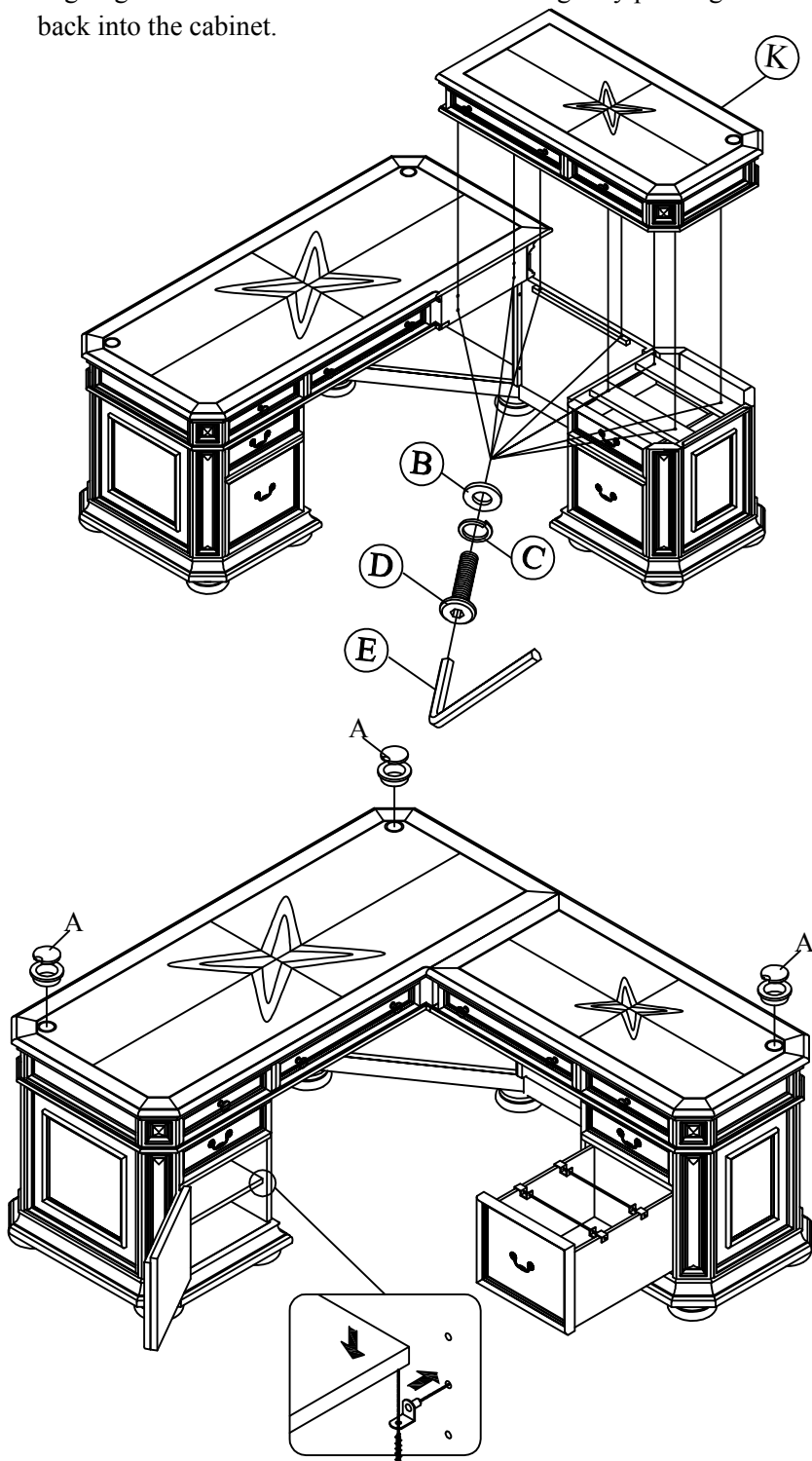
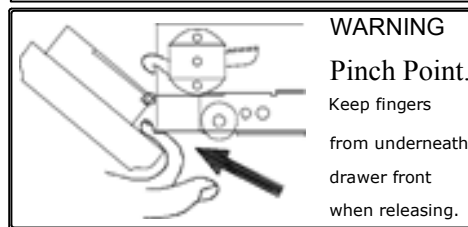


Step 4 : Remove the Top drawer from the cabinet (see below)

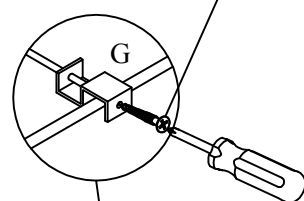
Step 5 : Assemble the Top panel to the Assembly, using the Allen-Head Bolts (D), Lock Washers (C) and Flat Washers (B). Tighten the Allen Bolts using the Allen Wrench (E). Carefully reinstall the drawers by aligning the channels of the drawer slides and gently pushing the drawers back into the cabinet.



44728 L-Desk & Return



Unscrew to adjust
the file rod



Unscrew to adjust
the shelf height

