
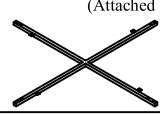

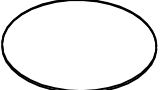
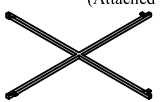

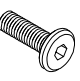
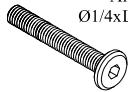
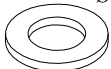
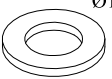

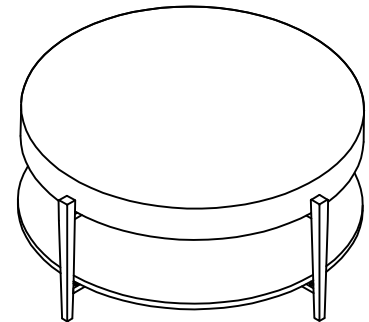


Components and Hardware List

<p>(A) TOP TABLE 1 pcs.</p> 	<p>(B) METAL TUBE (Attached on the top table) 1 pcs.</p> 	<p>(C) Leg 4 pcs.</p> 
<p>(D) Wood Shelf 1 pcs.</p> 	<p>(E) METAL TUBE (Attached on the top shelf) 1 pcs.</p> 	<p>(F) Allen key 4mm 1 pcs.</p> 
<p>(G) Allen head bolt Ø1/4x1/2" (Ø11) 16 pcs.</p> 	<p>(H) Allen head bolt Ø1/4xL2-1/4"(Ø11) 4 pcs.</p> 	<p>(I) Flat Washer Ø1/4xØ13x1mm 16 pcs.</p> 
<p>(K) Flat Washer Ø1/4xØ16x1mm 4 pcs.</p> 	<p>(L) Lock Washer Ø1/4xØ11x1mm 20 pcs.</p> 	



43201
ROUND COCKTAIL TABLE

Be sure to check all packing material carefully for small parts, which may have come loose inside the carton during shipment.

Step 1: Place the Table Top (A) face down on a clean, soft surface.

Step 2: Using Allen Key (F) to tighten (H) (L) (K) to connect the legs with top table. Figure 1 .

Do not fully tighten until : Figure 3.

Step 3: Top table(A) into the notches of the Legs (C) and Using Allen Key (F) the Allen Head Bolts (G) Spring Washer (L) and Flat Washer(I) Figure 2. Do not fully tighten until : Figure 3.

Step 4 : Bottom metal frame (E) into the notches of the Legs (C) and Using Allen Key (F) the Allen Head Bolts (G) Spring Washer (L) and Flat Washer(I) Figure 3 .

Step 5: Adjust parts fit if necessary, pulling all parts snug together and tighten all Bolts using the Allen Wrenches (F).

Step 6: Carefully set the Table upright.

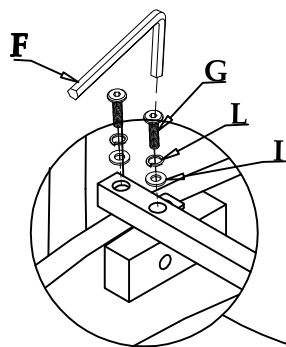


Figure 2

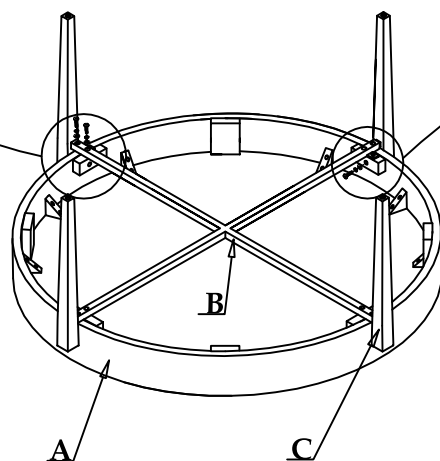
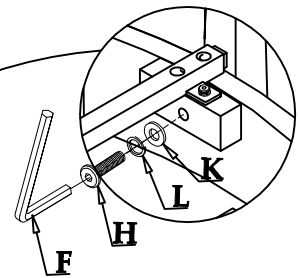
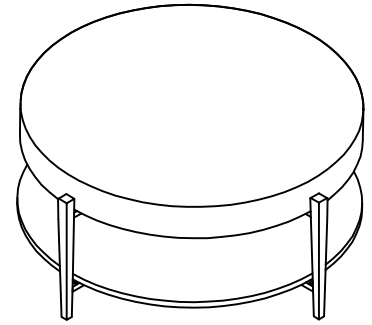


Figure 1



Components and Hardware List



43201

ROUND COCKTAIL TABLE

To prevent possible scratches and damage, this furniture must be assembled by two people on a soft surface such as a blanket or carpet. Set the Desk upright and move to the desired location in the room.

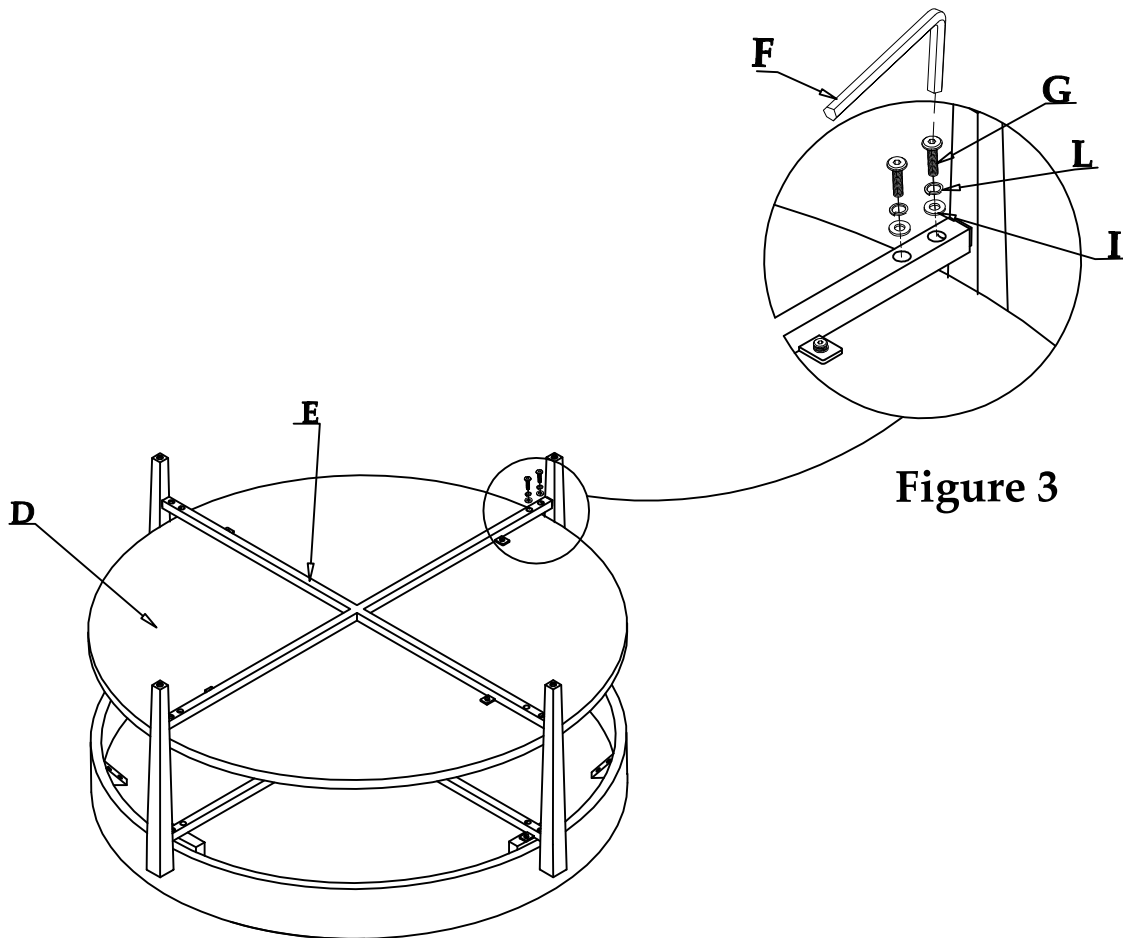


Figure 3