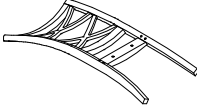
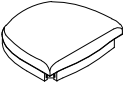

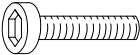
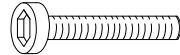


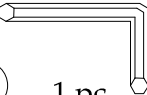
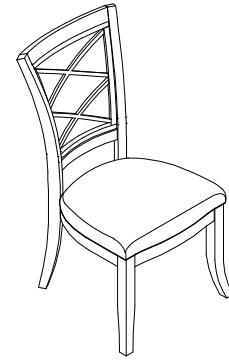
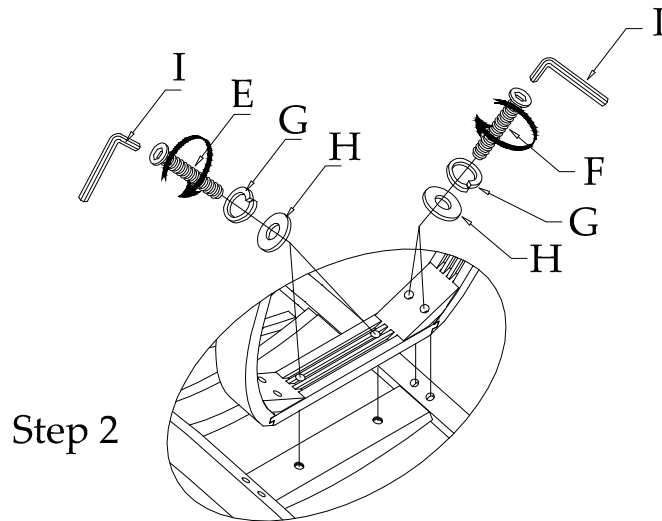
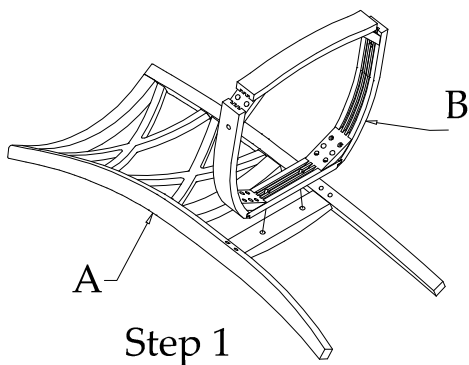


## Components and Hardware List

<p>Chair Back</p>  <p><b>A</b> 1 pc.</p>	<p>Chair Seat</p>  <p><b>B</b> 1 pc.</p>		<p>Front Leg</p>  <p><b>D</b> 2 pcs.</p>
<p>M5/16" x 1-3/4" Allen Head Bolt</p>  <p><b>E</b> 6 pcs.</p>	<p>M5/16" x 2-3/4" Allen Head Bolt</p>  <p><b>F</b> 4 pcs.</p>	<p>5/16" Spring Washer</p>  <p><b>G</b> 10 pcs.</p>	<p>5/16" *19mm Flat Washer</p>  <p><b>H</b> 10 pcs.</p>
<p>5mm Allen Wrench</p>  <p><b>I</b> 1 pc.</p>			<p>Be sure to check all packing material carefully for small parts, which may have come loose inside the carton during shipment.</p>

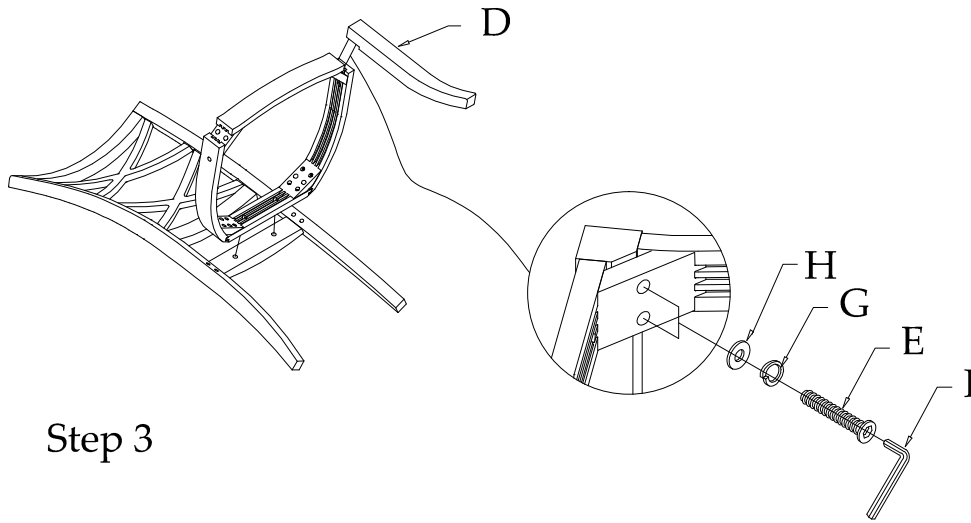


#42857 Side Chair



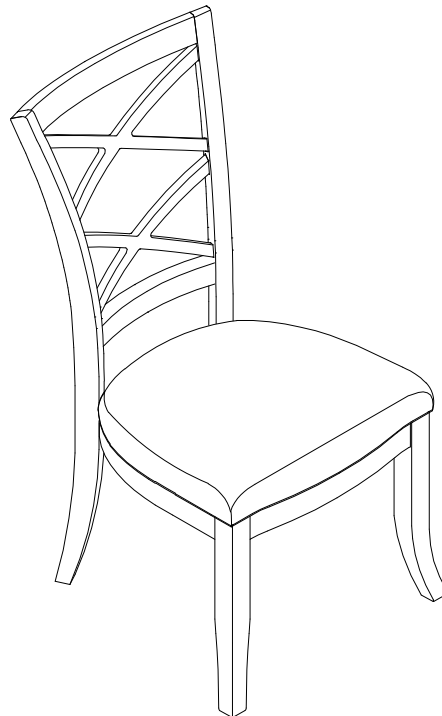
### Steps:

1. Place the Back Assembly (A) on a soft and smooth surface.
2. Attach Chair Seat (B) to the Back Assembly (A) by using the 2-3/4" long Bolt (F) Spring Washer (G) and Flat Washer (H) into the back corners of the Seat and 1-3/4" long Bolt (E) Spring Washer (G) and Flat Washer (H) into the middle of the Seat, as shown. **Do not fully tighten Bolts until after next step.**



### Step 3

3. Attach Front Legs (D) to the Chair Seat (B) by using the 1-3/4" long Bolts (E) Spring Washer (G) and Flat Washer (H) as shown in **Step 3**.
4. Turn the Chair upright on a flat surface to level chair and tighten all Bolts using the Allen Wrench (I).



### Step 4