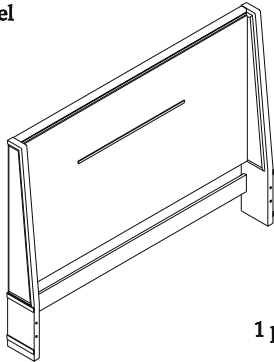


Hardware and Parts packed with the Headboard

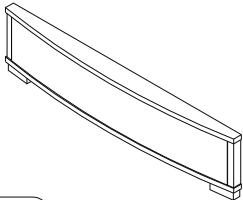
Headboard Panel



(H-A)

1 pc.

Hardware and Parts packed with the Footboard



(F-A)

1 pc.

6/0-6/6 Wood Slat
77" Long



(F-B)

5 pcs.

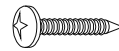
Slat Support Leg
5" long
with leveler



(F-C)

10 pcs.

#8 x 1" Wood Screw



(F-D)

10 pcs.

M5/16"-18 x 3-1/2 "
Long All-Thread Bolt



(F-E)

8 pcs.

Ø50mm Arc-Washer



(F-F)

8 pcs.

5/16-18 x L17 HexNut



(F-G)

8 pcs.

15mm Open Wrench



(F-H)

1 pc.

4mm Allen Wrench

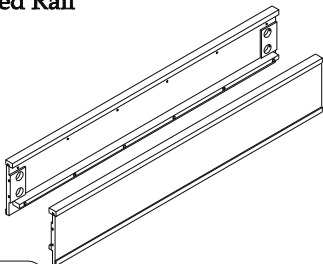


(F-I)

1 pc.

Hardware and Parts packed with the Bed Rails

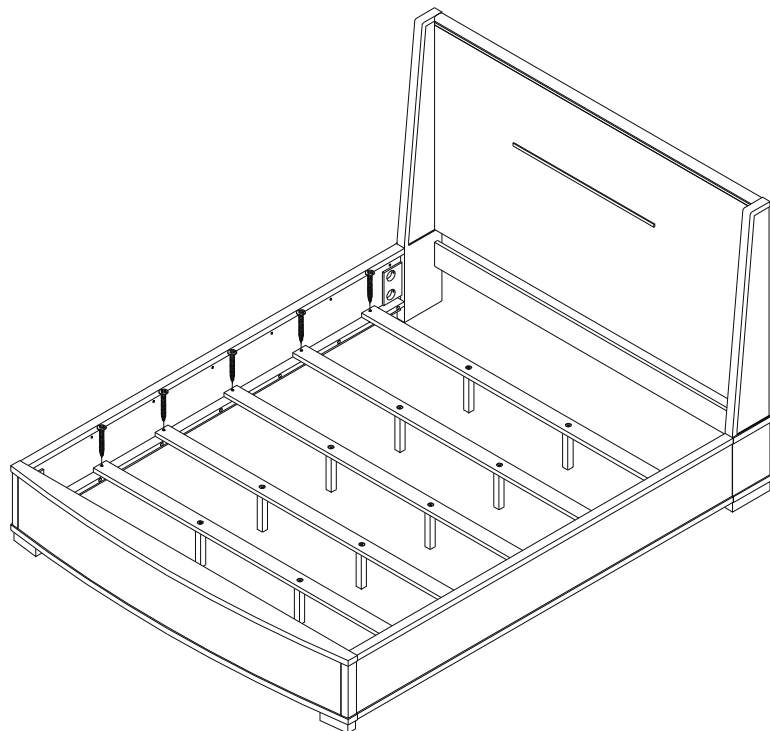
Bed Rail



(R-A)

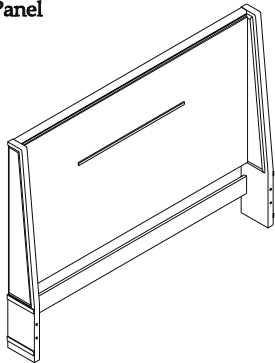
2 pcs.

39484 6/6 UPH HEADBOARD
39485 6/6 CURVED FOOTBOARD
39478 5/0-6/6 UPH BED RAILS



Hardware and Parts packed with the Headboard

Headboard Panel

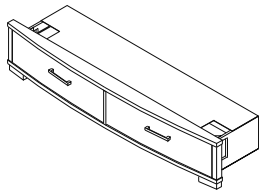


(H-A)

1 pc.

Hardware and Parts packed with the Footboard

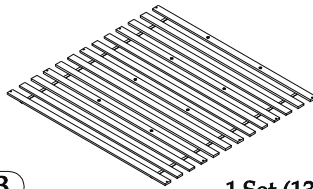
Storage Footboard Frame



(F-A)

1 pc.

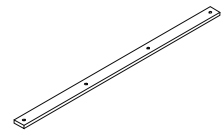
Wood Slat



(F-B)

1 Set (13 pcs.)

Slat Support Rails



(F-C)

2 pcs.

Slat Support Leg 12-3/4" long with leveler



(F-D)

8 pcs.

#8 x 1" Wood Screw



(F-E)

10 pcs.

M5/16"-18 x 3-1/2" Long All-Thread Bolt



(F-F)

8 pcs.

ø50mm Arc-Washer



(F-G)

8 pcs.

5/16-18 x L17 HexNut



(F-H)

8 pcs.

15mm Open Wrench



(F-I)

1 pc.

4mm Allen Wrench

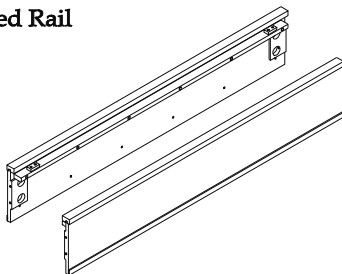


(F-J)

1 pc.

Hardware and Parts packed with the Bed Rails

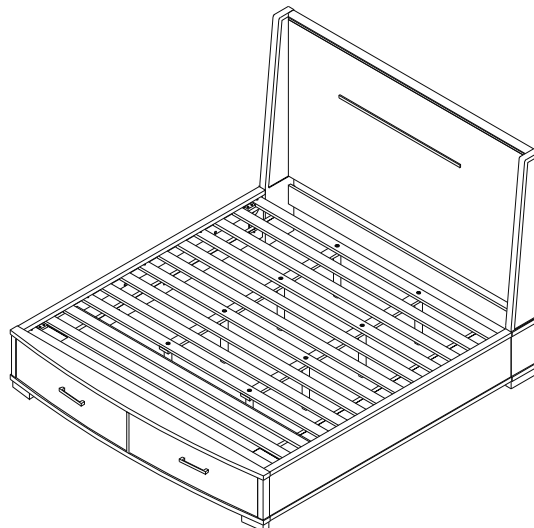
Bed Rail



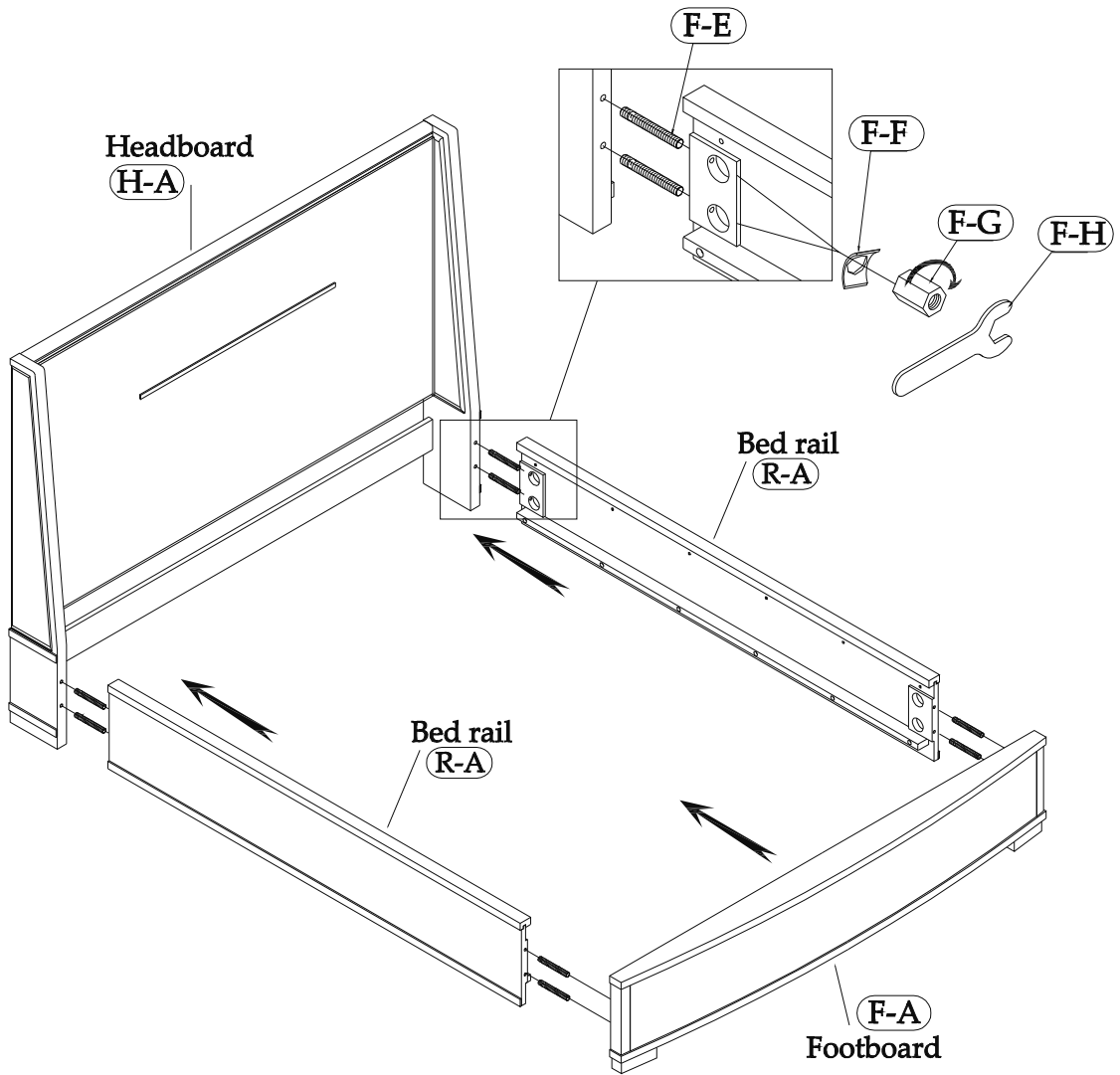
(R-A)

2 pcs.

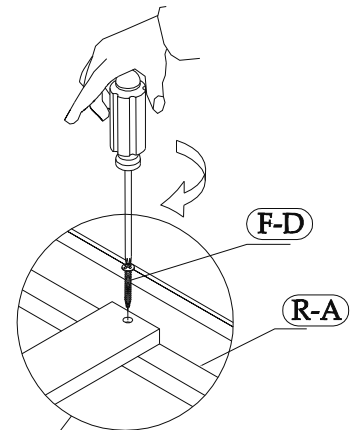
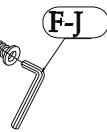
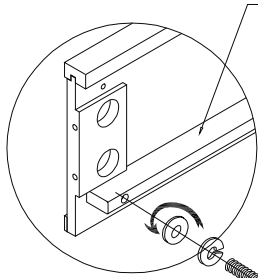
39484 6/6 UPH HEADBOARD
39483 6/6 STORAGE FOOTBOARD
39478 5/0-6/6 UPH BED RAILS



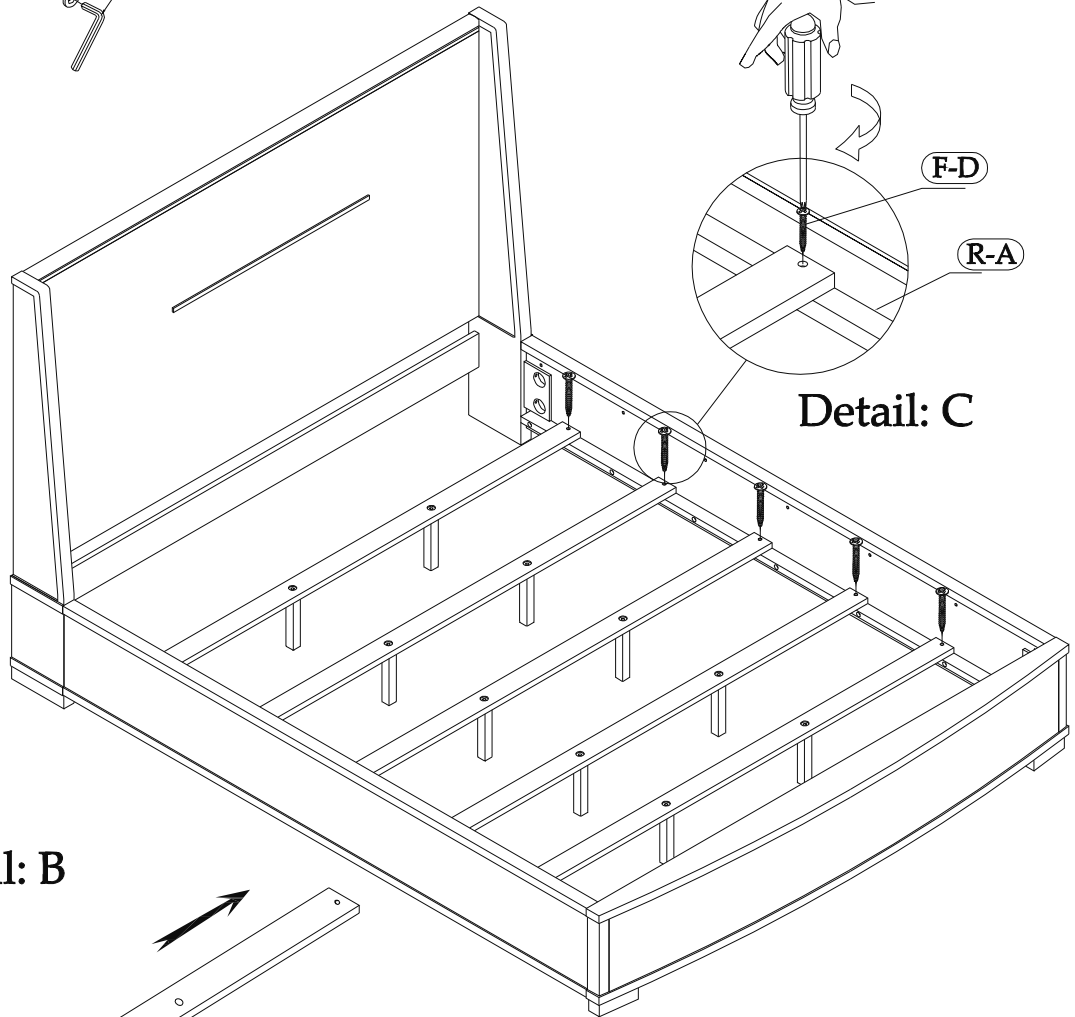
Detail: A



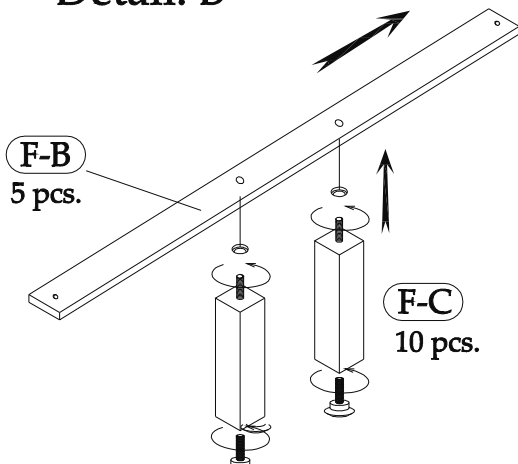
The Wood Cleat mounted on the back side of the Bed Rails must be mounted at the lower location for the Standard Bed. If needed, remove the Bolts and Washers and remount it at the lower position on the Bed Rails.

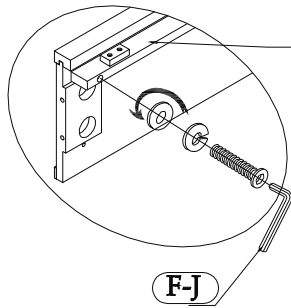


Detail: C



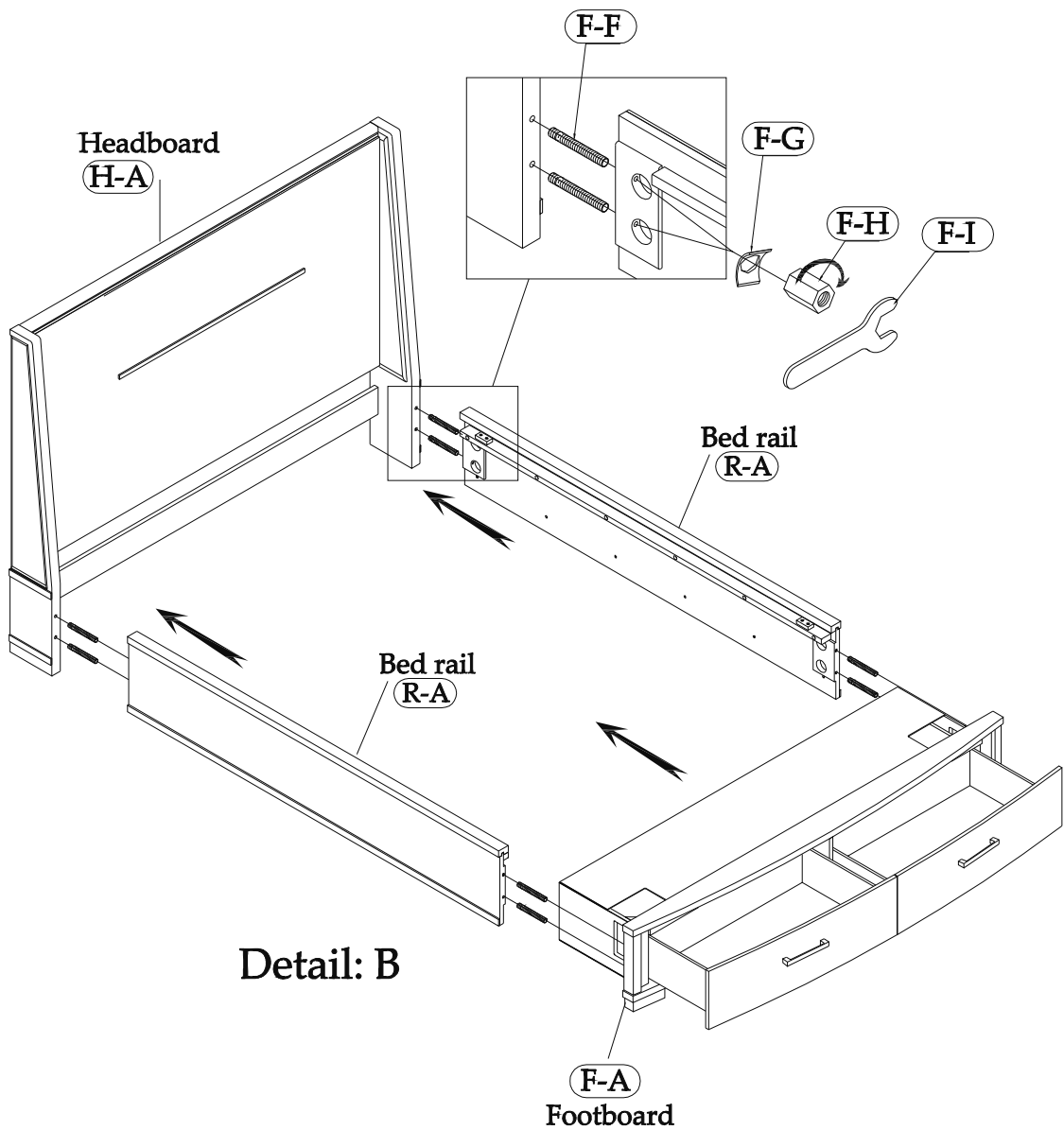
Detail: B





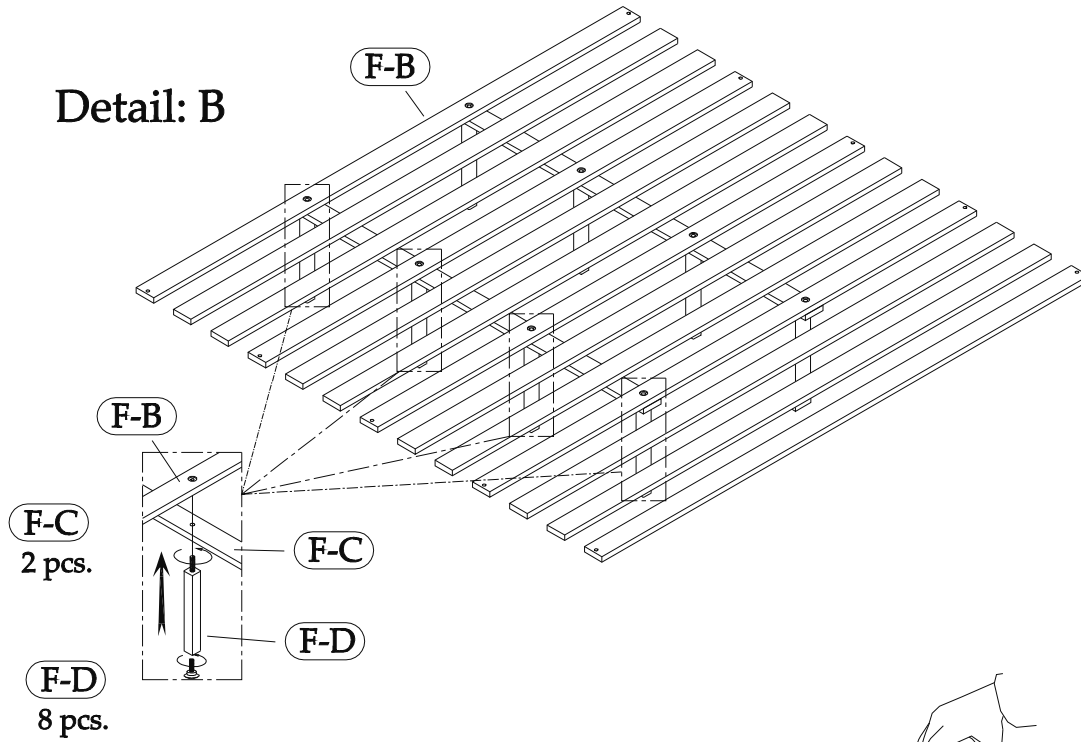
The Wood Cleat mounted on the back side of the Bed Rails must be mounted at the upper location for the Storage Bed. If needed, remove the Bolts and Washers and remount it at the upper position on the Bed Rails.

Detail: A



Detail: B

Detail: B



Detail: C

