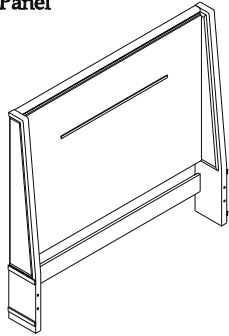


**Hardware and Parts packed with the Headboard**

Headboard Panel

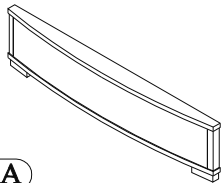


(H-A)

1 pc.

**Hardware and Parts packed with the Footboard**

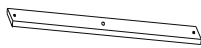
Queen Footboard



(F-A)

1 pc.

5/0 Wood Slat  
61" Long



(F-B)

5 pcs.

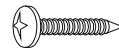
Slat Support Leg  
5" long  
with leveler



(F-C)

5 pcs.

#8 x 1" Wood Screw



(F-D)

10 pcs.

M5/16"-18 x 3-1/2 "  
Long All-Thread Bolt



(F-E)

8 pcs.

Ø50mm Arc-Washer



(F-F)

8 pcs.

5/16-18 x L17 HexNut



(F-G)

8 pcs.

15mm Open Wrench



(F-H)

1 pc.

4mm Allen Wrench

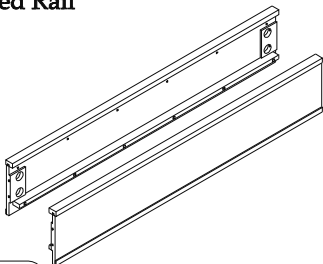


(F-I)

1 pc.

**Hardware and Parts packed with the Bed Rails**

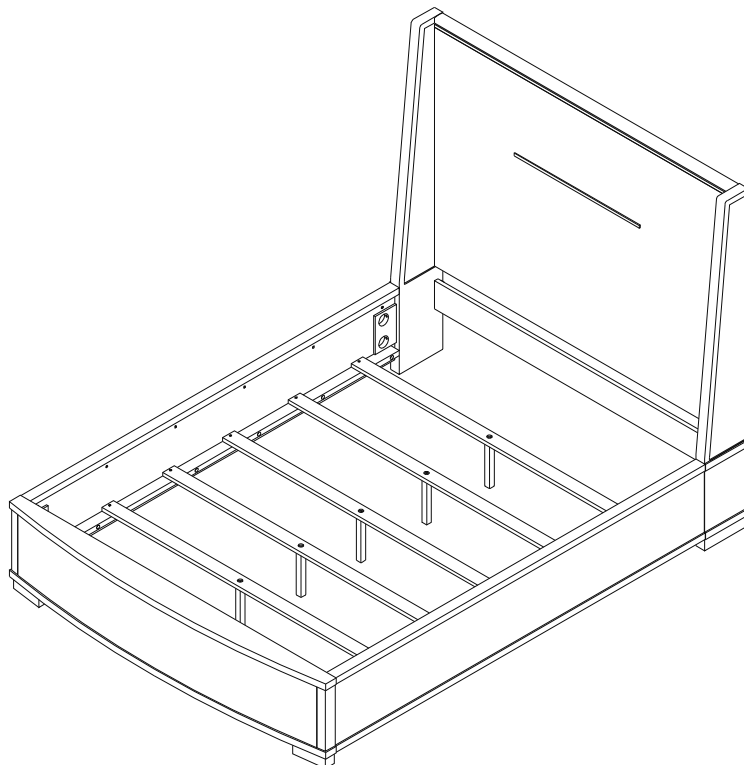
Bed Rail



(R-A)

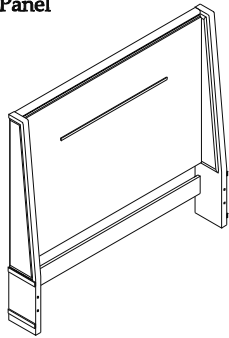
2 pcs.

39474 5/0 UPH HEADBOARD  
39475 5/0 CURVED FOOTBOARD  
39478 5/0-6/6 UPH BED RAILS



**Hardware and Parts packed with the Headboard**

Headboard Panel

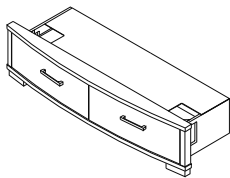


(H-A)

1 pc.

**Hardware and Parts packed with the Footboard**

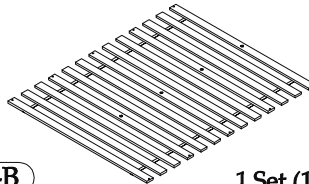
Storage Footboard Frame



(F-A)

1 pc.

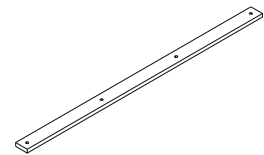
Wood Slat



(F-B)

1 Set (13 pcs.)

Slat Support Rails



(F-C)

1 pc.

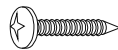
Slat Support Leg 12-3/4" long with leveler



(F-D)

4 pcs.

#8 x 1" Wood Screw



(F-E)

10 pcs.

M5/16"-18 x 3-1/2" Long All-Thread Bolt



(F-F)

8 pcs.

ø50mm Arc-Washer



(F-G)

8 pcs.

5/16-18 x L17 HexNut



(F-H)

8 pcs.

15mm Open Wrench



(F-I)

1 pc.

4mm Allen Wrench

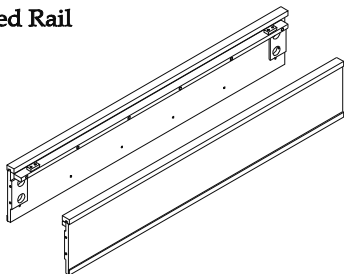


(F-J)

1 pc.

**Hardware and Parts packed with the Bed Rails**

Bed Rail



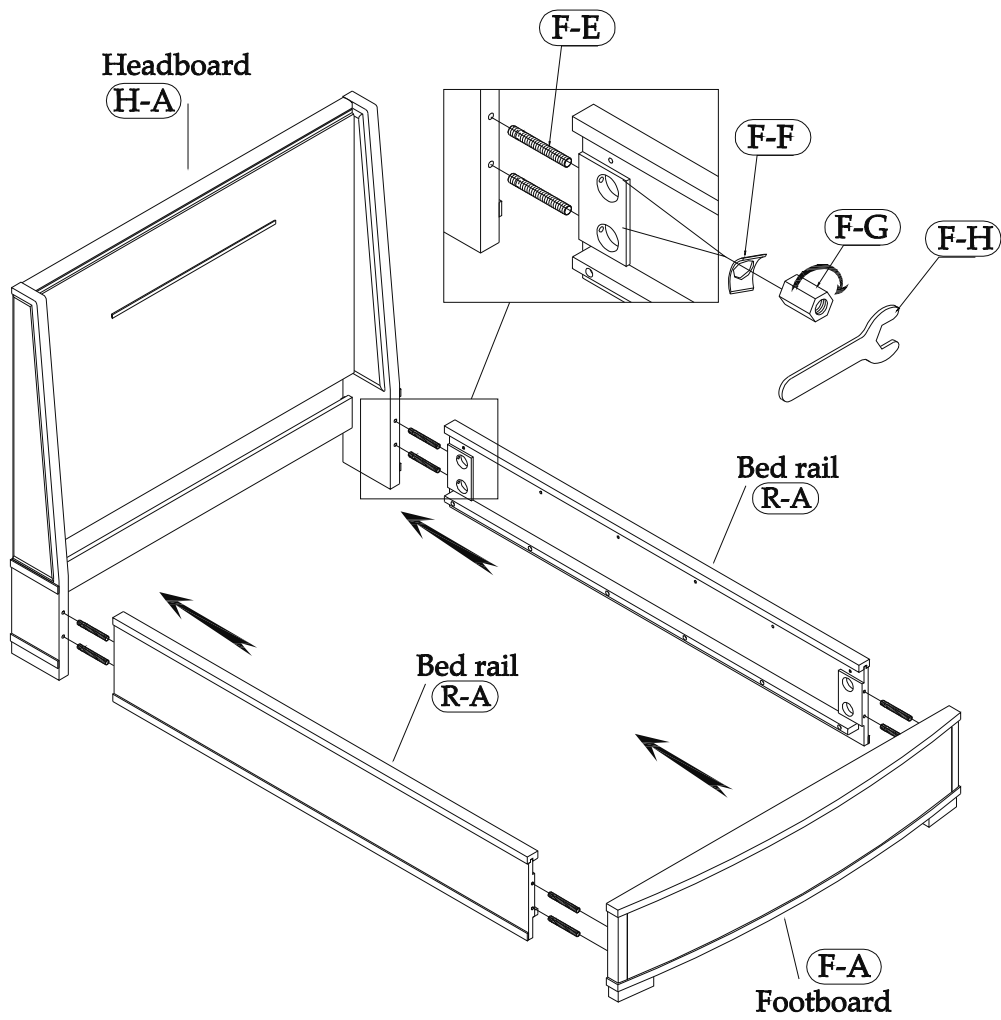
(R-A)

2 pcs.

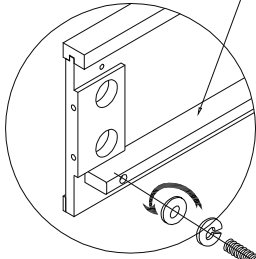
39474 5/0 UPH HEADBOARD  
39473 5/0 STORAGE FOOTBOARD  
39478 5/0-6/6 UPH BED RAILS



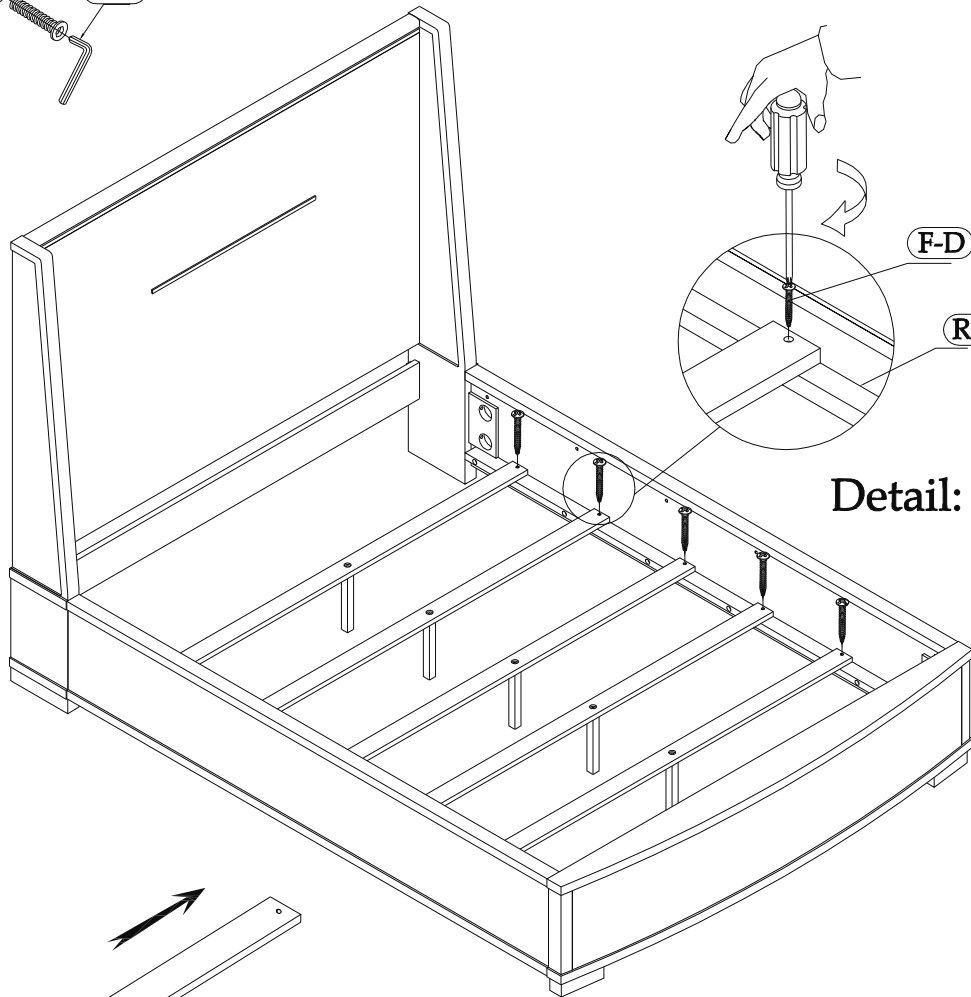
Detail: A



The Wood Cleat mounted on the back side of the Bed Rails must be mounted at the lower location for the Standard Bed. If needed, remove the Bolts and Washers and remount it at the lower position on the Bed Rails.



F-I



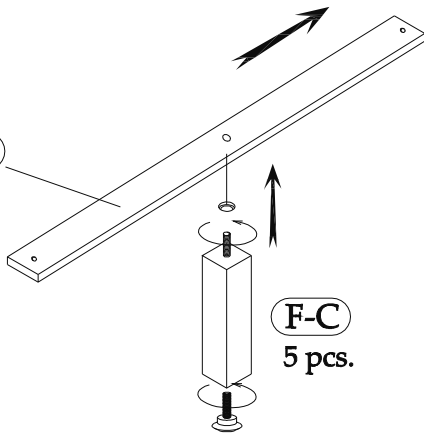
F-D

R-A

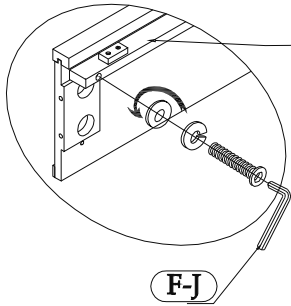
Detail: C

Detail: B

F-B  
5 pcs.

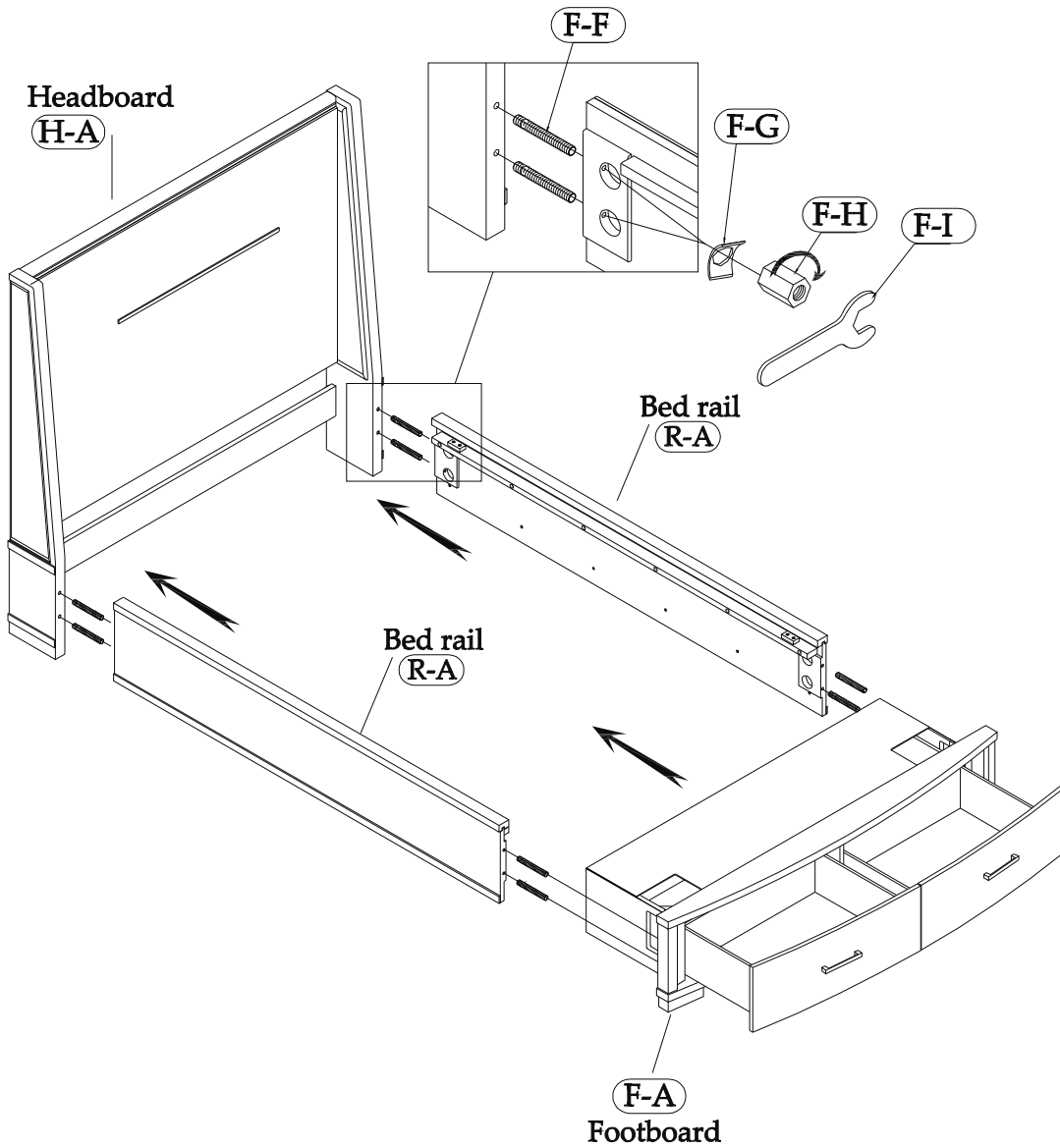


F-C  
5 pcs.

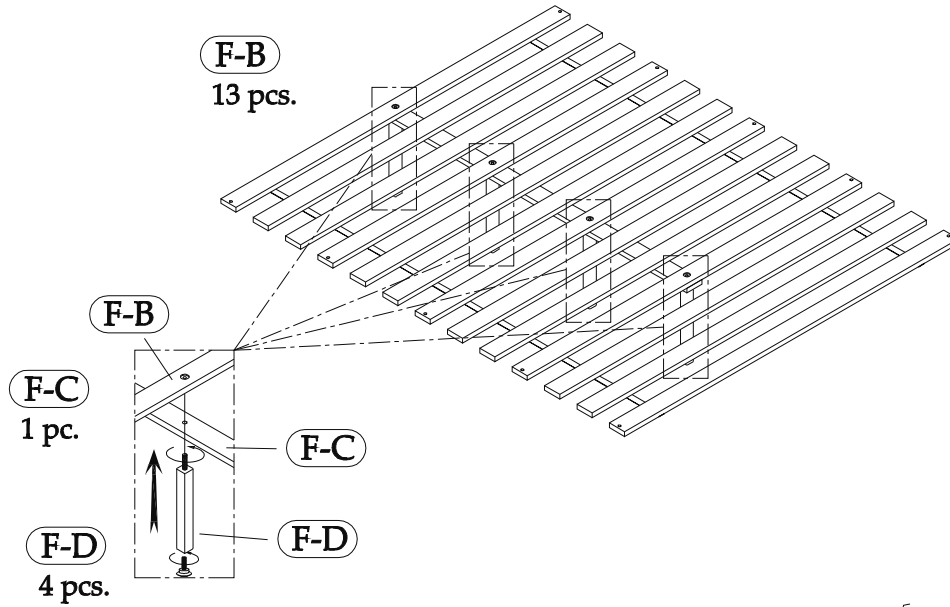


The Wood Cleat mounted on the back side of the Bed Rails must be mounted at the upper location for the Storage Bed. If needed, remove the Bolts and Washers and remount it at the upper position on the Bed Rails.

Detail: A



Detail: B



Detail: C

