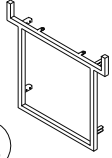
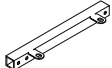
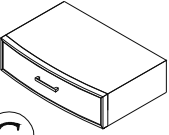
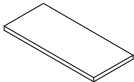
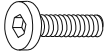



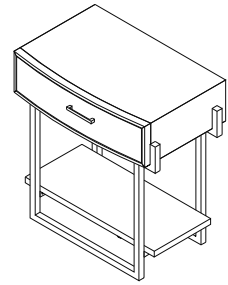


**Components and Hardware List**

Metal frame	Metal stretcher	Top Frame	Shelf
 <b>(A)</b> 2 pcs.	 <b>(B)</b> 4 pcs.	 <b>(C)</b> 1 pc.	 <b>(D)</b> 1 pc.
1/4-20 x 5/8" Allen-Head Bolt  <b>(E)</b> 28 pcs.	1/4" Spring Washer  <b>(F)</b> 28 pcs.	1/4"x16*2mm Flat Washer  <b>(G)</b> 28 pcs.	4mm Allen Wrench  <b>(H)</b> 1 pc.

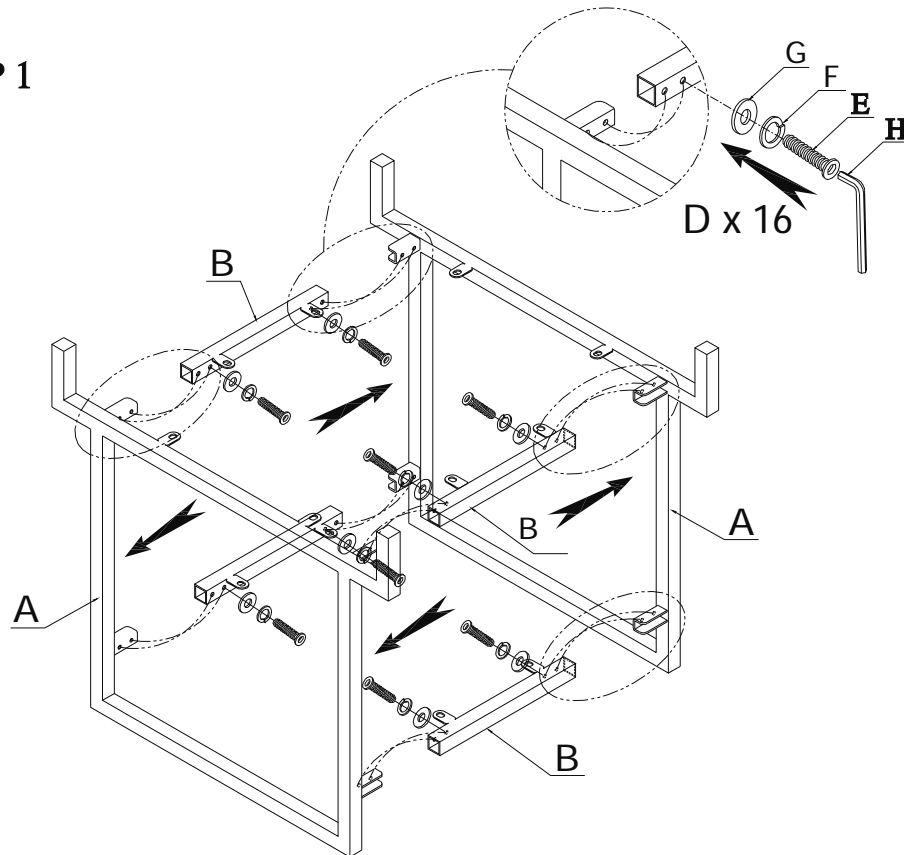


**#39467**  
**1-Drawer Nightstand**

**Furniture Tipping Restraint Kit**  
  
**(I)** 1 pc.

Be sure to check all packing material carefully for small parts, which may have come loose inside the carton during shipment.

**STEP 1**



STEP 2

