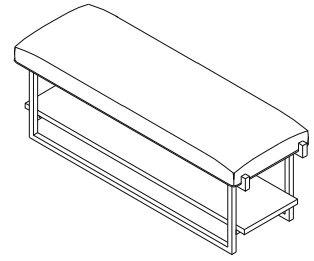
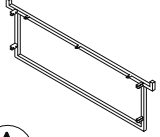
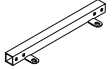
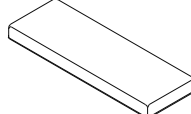

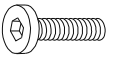





**Components and Hardware List**

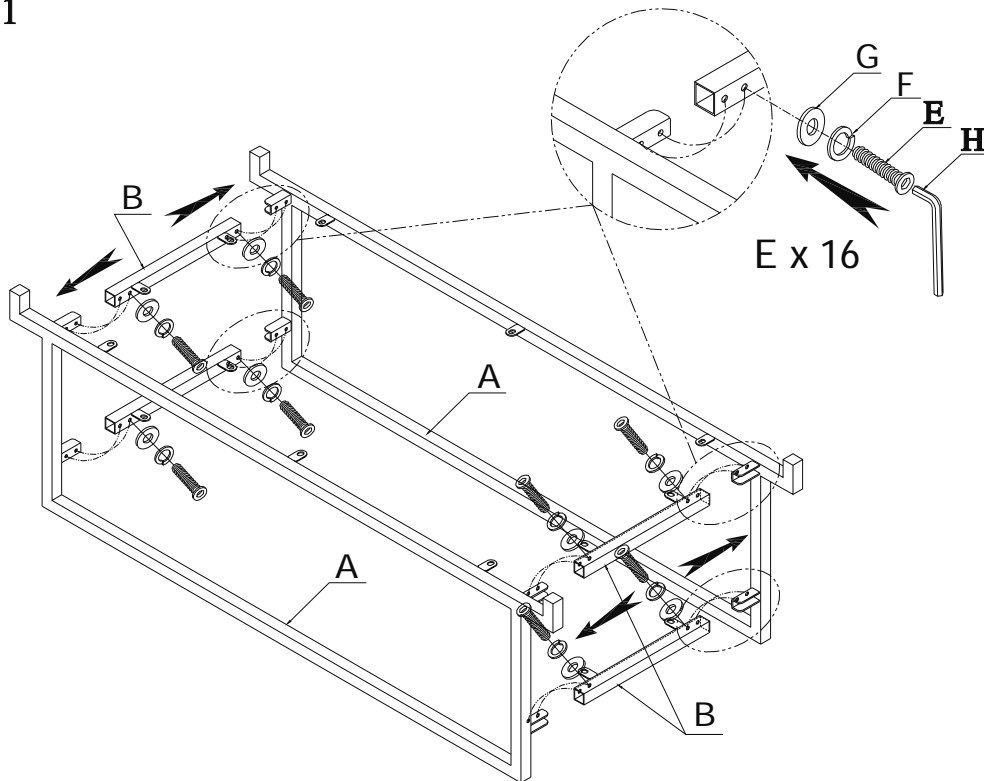


**#39462**  
**Uph Bed Bench**

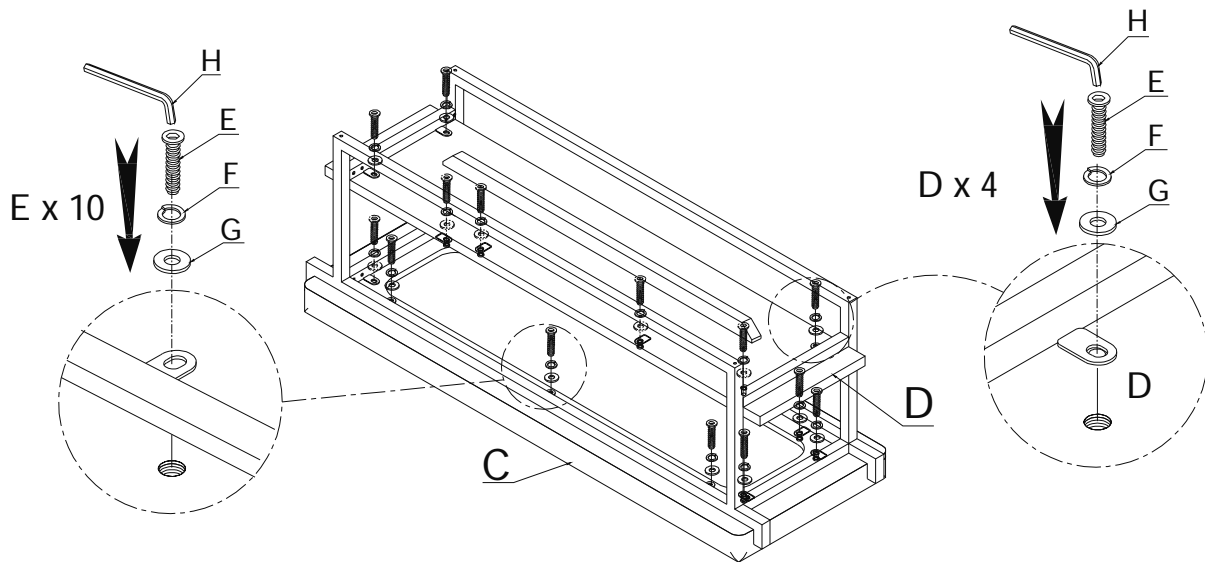
Metal frame	Metal stretcher	Seat Frame	Shelf
 <b>A</b> 2 pcs.	 <b>B</b> 4 pcs.	 <b>C</b> 1 pc.	 <b>D</b> 1 pc.
1/4-20 x 5/8" Allen-Head Bolt  <b>E</b> 30 pcs.	1/4" Spring Washer  <b>F</b> 30 pcs.	1/4"x16*2mm Flat Washer  <b>G</b> 30 pcs.	4mm Allen Wrench  <b>H</b> 1 pc.

Be sure to check all packing material carefully for small parts, which may have come loose inside the carton during shipment.

**STEP 1**



STEP 2



STEP 3

