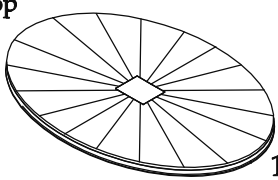
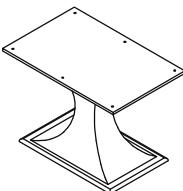
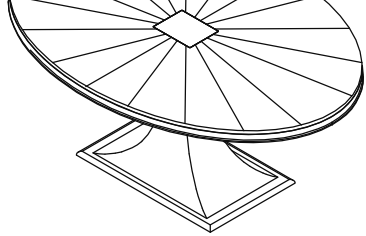
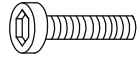





**Components and Hardware List**

|   |  |  |   |  |
|---|--|--|---|--|
| <b>Table Top</b><br><br><b>(A)</b> 1 pc.                           |  | <b>Table Base</b><br><br><b>(B)</b> 1 pc.                 |   | <br><br><b>#39450</b><br>Oval Dining Table-Top<br><b>#39451</b><br>Oval Dining Table-Base |
| <b>M5/16"-18 x 1-1/2" Allen Head Bolt</b><br><br><b>(C)</b> 6 pcs. | <b>5/16" Spring Washer</b><br><br><b>(D)</b> 6 pcs. | <b>5/16" *19*2mm Flat Washer</b><br><br><b>(E)</b> 6 pcs. | <b>5mm Allen Wrench</b><br><br><b>(F)</b> 1 pc. |  |

Be sure to check all packing material carefully for small parts, which may have come loose inside the carton during shipment.

