

Components and Hardware List

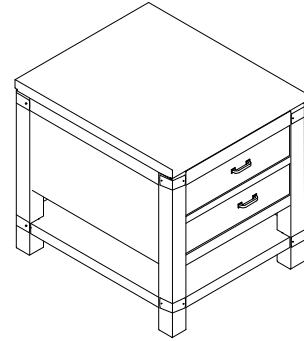
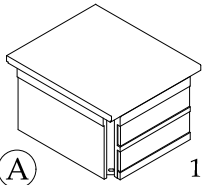


Table Top



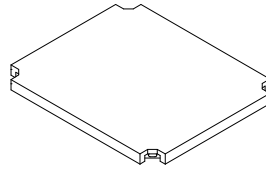
(A) 1 pc

Legs



(B) 4 pcs

Bottom Shelf



(C) 1 pc

M5/16" x 2" Allen Head Bolt



(D) 12 pcs.

5/16" Spring Washer



(E) 12 pcs.

5/16" Flat Washer



(F) 12 pcs.

5mm Allen Wrench



(G) 1 pc.

5mm x 4" Wrench



(H) 1 pc.

37709
RECTANGULAR
END TABLE

Be sure to check all packing material carefully for small parts, which may have come loose inside the carton during shipment.

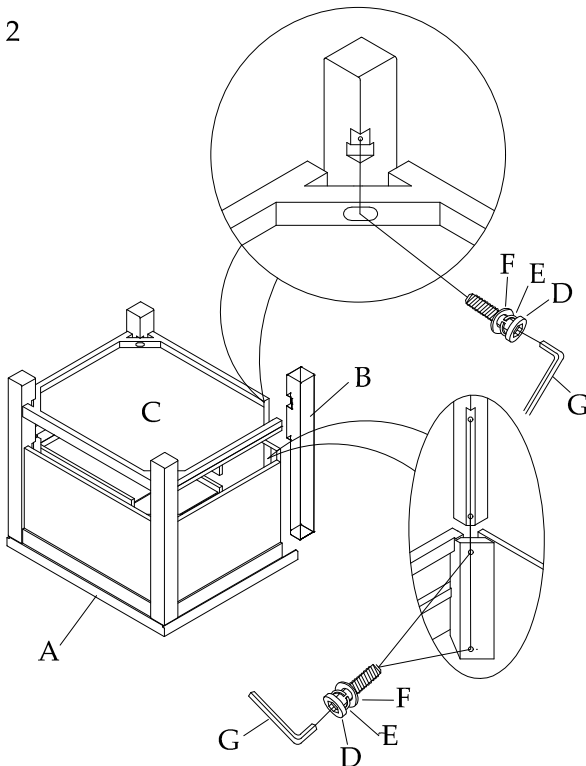
Step 1: Remove both drawers from the Table Top and lay them aside. Place the Table Top (A) upside down on a soft non-abrasive surface.

Step 2: Attach the Legs (B) to the underneath side of the Table Top with the 5/16" x 2" long Bolts (D), Spring Washers (E) and Flat Washers (F). Do not fully install Bolts until after Shelf is assembled. Attach the Bottom Shelf (C) to the Legs with the same Bolts and Washers as previous step. Tighten all Bolts using the Allen Wrench (G).

Note: If the straight Wrench (H) is used in a power driver, use care to prevent Bolts from being over tightened and possibly damaging parts.

Step 3: Carefully set the Table upright and reinstall the drawers into the Table Top.

Step 2



Step 3

