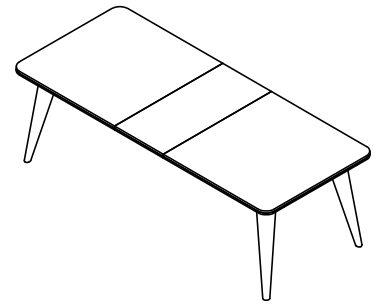


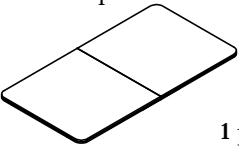
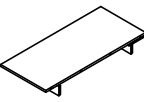
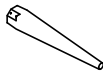


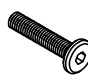

Warning :

- Be sure to check all packing material carefully for small parts, which may have come loose inside the carton during shipment.
- To prevent possible scratches and damage, this furniture **MUST BE ASSEMBLED BY TWO PEOPLE** on a soft surface such as a blanket or carpet.

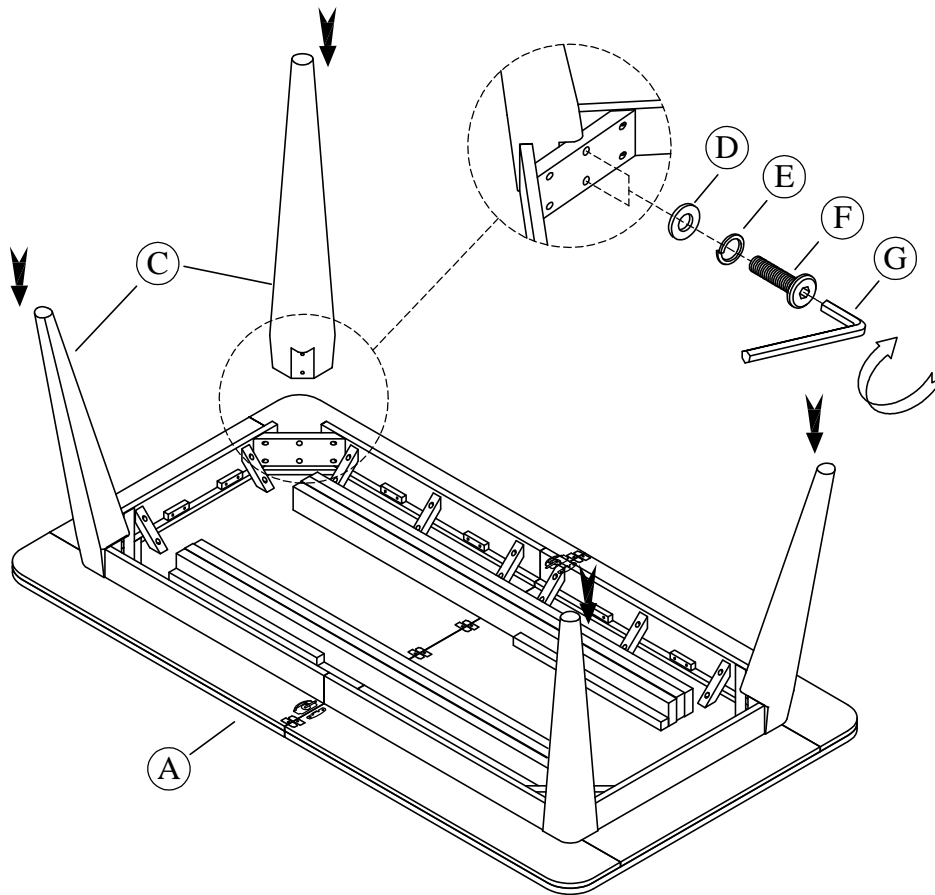


37550
Rectangle Dining Table

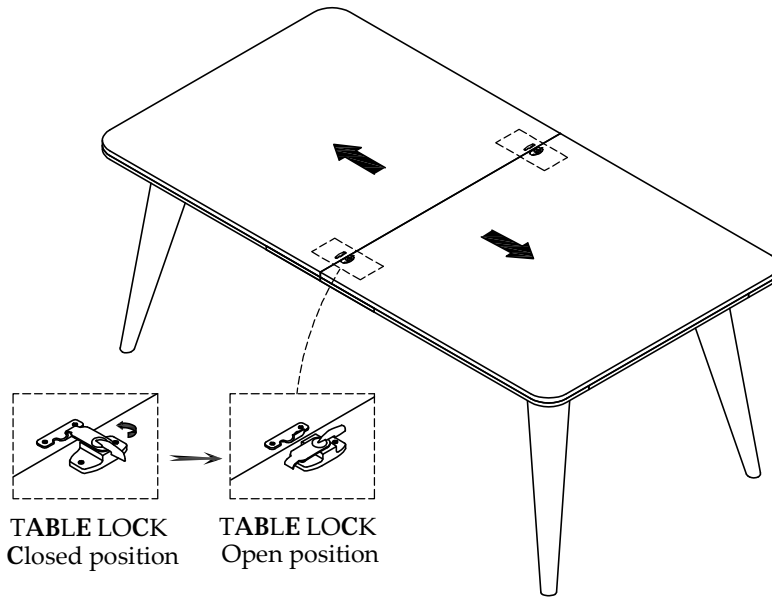
Components and Hardware List

<p>Table Top</p>  <p>(A) 1 pc.</p>	<p>Table Leaf</p>  <p>(B) 1 pc.</p>	<p>Leg</p>  <p>(C) 4 pcs.</p>	<p>Flat Washer 5/16" x 19*2mm</p>  <p>(D) 8 pcs.</p>
<p>Spring Washer 5/16"</p>  <p>(E) 8 pcs.</p>	<p>Allen Head Bolt 5/16"x 18x3"</p>  <p>(F) 8 pcs.</p>	<p>5mm Allen Key</p>  <p>(G) 1 pc.</p>	

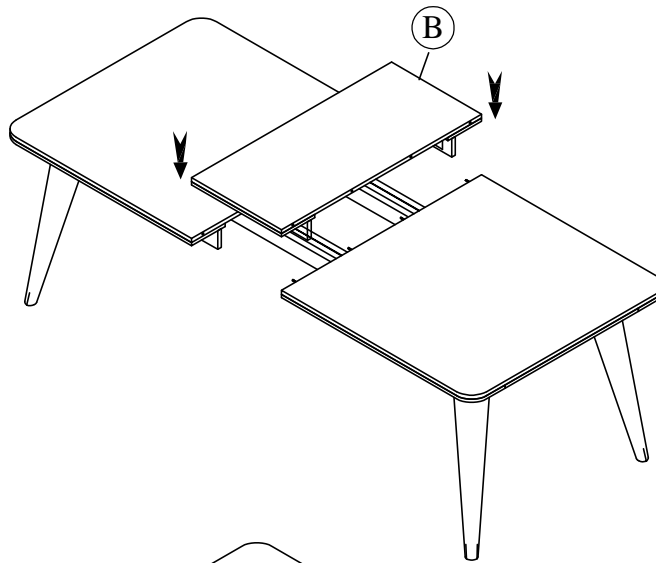
STEP 1:



STEP 2:



STEP 3:



STEP 4:

