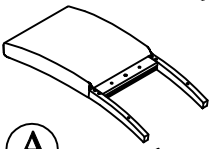
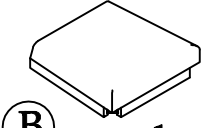
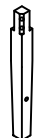
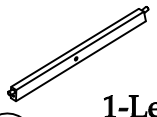
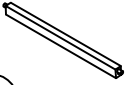
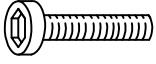
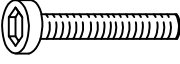




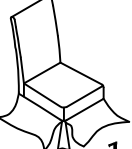
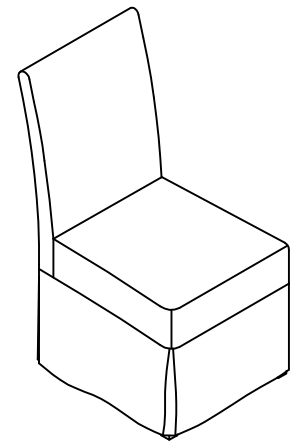


Components and Hardware List (for one chair)

<p>Back Assembly</p>  <p>(A) 1 pc.</p>	<p>Chair Seat</p>  <p>(B) 1 pc.</p>	<p>Front Leg</p>  <p>(C) 1-Left 1-Right</p>	<p>Side Stretcher</p>  <p>(D) 1-Left 1-Right</p>
<p>Center Stretcher</p>  <p>(E) 1 pc.</p>	<p>M5/16"-18x 2" Allen Head Bolt</p>  <p>(F) 5 pcs.</p>	<p>M5/16"-18 x 3" Allen Head Bolt</p>  <p>(G) 4 pcs.</p>	<p>5/16" Spring Washer</p>  <p>(H) 9 pcs.</p>
<p>5/16" x 19 x 2mm Flat Washer</p>  <p>(I) 9 pcs.</p>	<p>5mm Allen Wrench</p>  <p>(J) 1 pc.</p>	<p>#8 x 1-1/2" Wood Screw</p>  <p>(K) 6 pcs.</p>	<p>With Slip Cover</p>  <p>(L) 1 pc.</p>



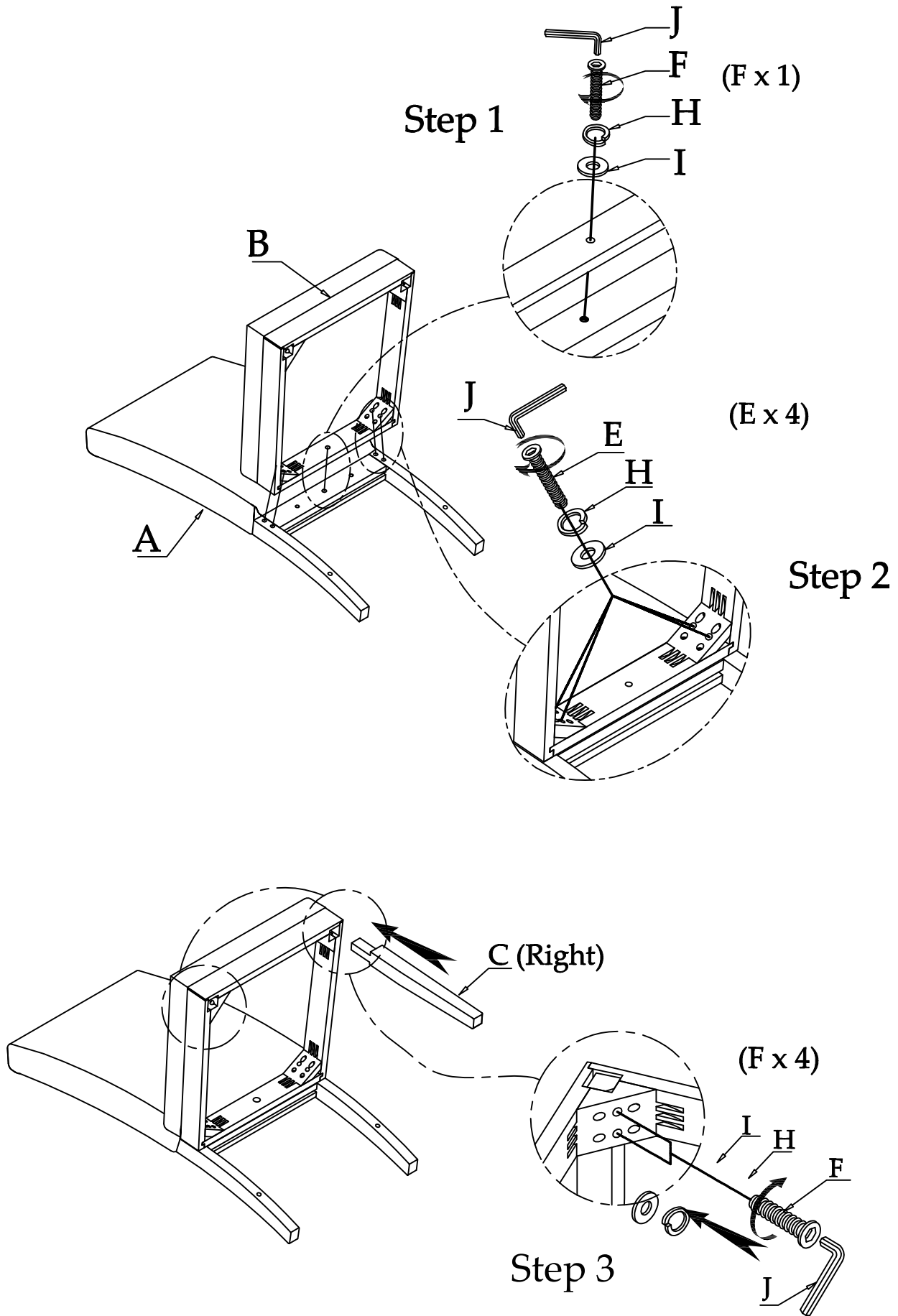
#36964
Parsons Chair Uph W/Cover

Be sure to check all packing material carefully for small parts, which may have come loose inside the carton during shipment. Separate, count and check all parts against the Components and Hardware List above. Failure to use the correct length bolts in the proper locations may result in an unsafe product and could also cause damage to the parts being assembled.

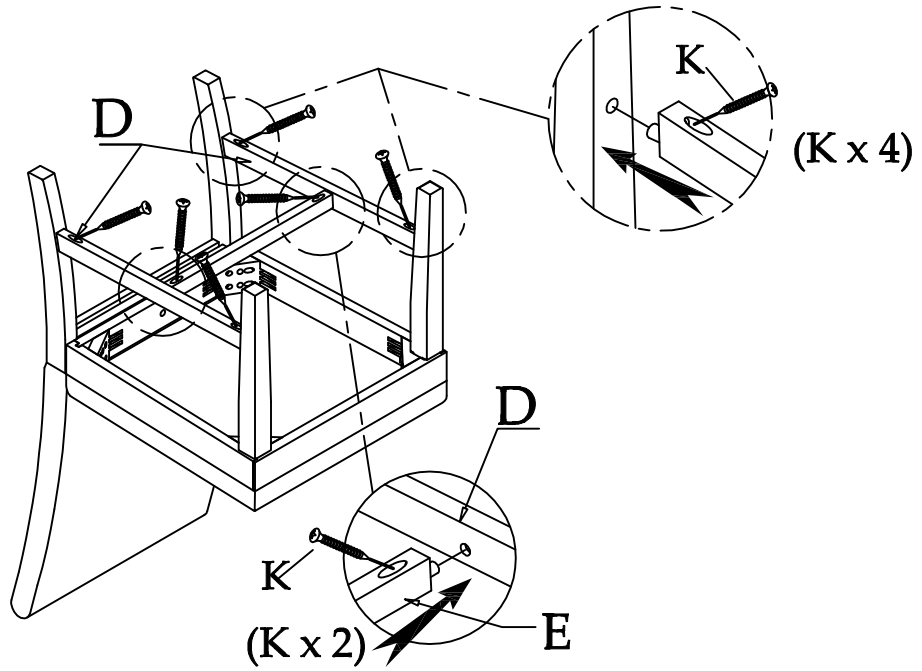
To prevent damage, assemble on a soft surface such as a blanket or carpet.

Do not fully tighten the bolts until the complete chair has been assembled. Once the complete chair is assembled, set it upright on a flat surface to level the chair. Using the provided Allen Key, tighten all the bolts.

Make sure the stretchers are pulled snug to the front and back legs, then install the wood screws (K) using your Phillips screwdriver.



Step 4



Step 5

