




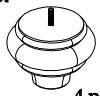
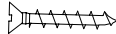

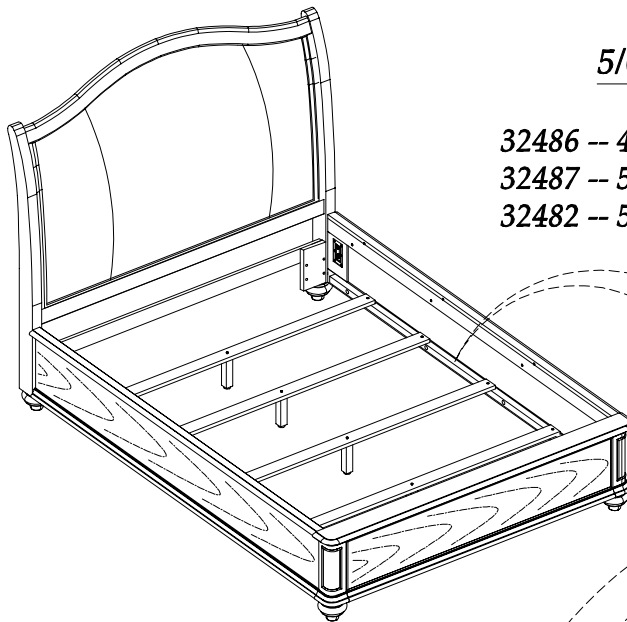


Parts List

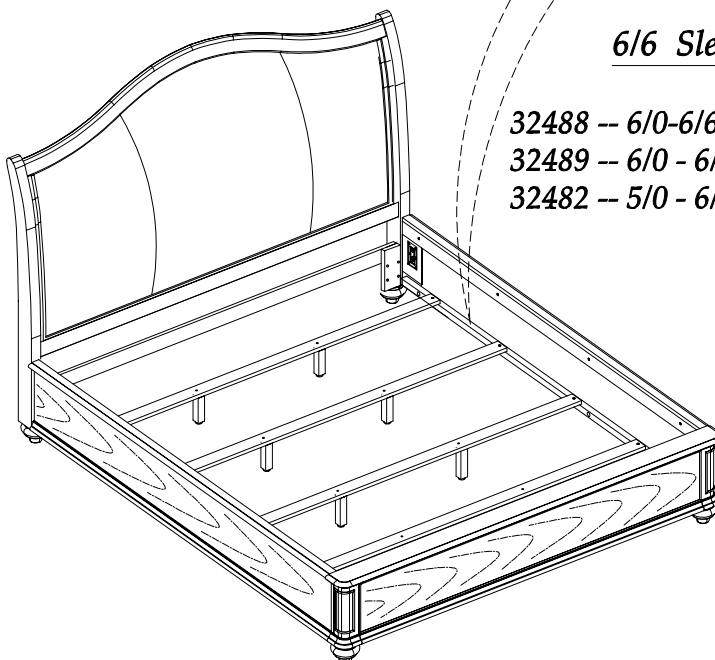
<p>M5/16" x 3-1/2" All-thread Bolt</p>  <p>Ⓐ 8 pcs.</p>	<p>M5/16" Hex Nut</p>  <p>Ⓑ 8 pcs.</p>	<p>M5/16" Spring Washer</p>  <p>Ⓒ 8 pcs.</p>	<p>13mm Open Wrench</p>  <p>Ⓓ 1 pcs.</p>	<p>Support Leg</p>  <p>Ⓔ 4 pcs. for 5/0 8 pcs. for 6/6</p>	<p>Bun Feet</p>  <p>Ⓕ 4 pcs/set.</p>
<p>#8 x 1" Wood Screw</p>  <p>Ⓖ 8 pcs.</p>	<p>Wood Slat</p>  <p>5/0 6/6</p> <p>Ⓗ 4 pcs.</p>				



5/0 Sleigh Standard Bed Components

- 32486 -- 4/6 - 5/0 Sleigh Upholstered Headboard
- 32487 -- 5/0 Sleigh Footboard & Slats.
- 32482 -- 5/0 - 6/6 Sleigh/Storage Bed Rails (for 5/0 Bed)

Note: For A Standard Bed Set-up, the wood support cleats on the Side Rails must be attached at the lower location.



6/6 Sleigh Standard Bed Components

- 32488 -- 6/0-6/6 Sleigh Upholstered Headboard
- 32489 -- 6/0 - 6/6 Sleigh Footboard & Slats.
- 32482 -- 5/0 - 6/6 Sleigh/Storage Bed Rails (for 6/6 Bed)

ASSEMBLY STEPS :

1. Place the Headboard backside down on a clean and soft surface. Attach Bun Feet (F) to the Headboard. (See Detail A)

2. Place the Footboard upside down on a clean and soft surface. Attach the Bun Feet (F) to the Footboard. Carefully turn the Footboard back upright. (See Detail B)

3. Install the eight All-Thread Bolts (A) into the threaded metal plates mounted on the Headboard and Footboard posts.

4. Gently lean the Headboard against the wall where the completed Bed will be located in the room.

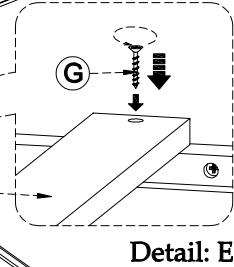
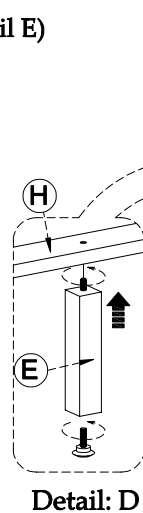
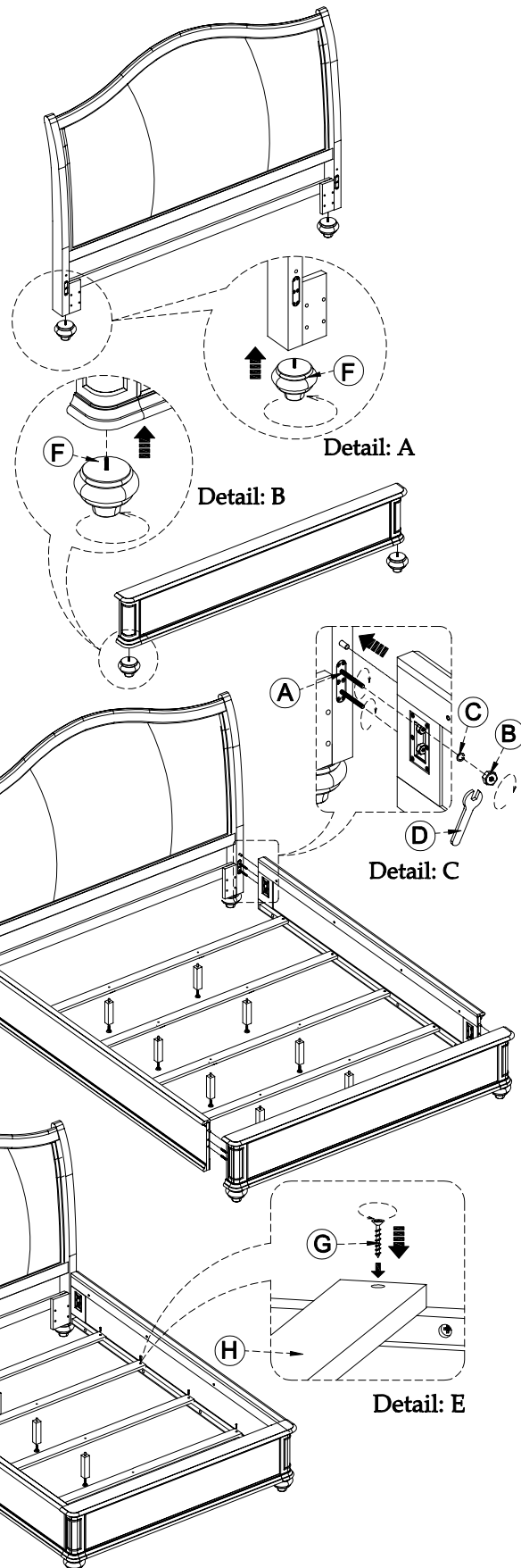
5. Position one end of one Bed Rail onto the All-Thread Bolts and fasten with the Spring Washers (C) and Hex Nuts (B). Only partially tighten the Hex Nuts until the Footboard has been connected. Repeat for other Bed Rail.

6. Position and connect the Footboard to the other end of the Bed Rails as in previous Step.

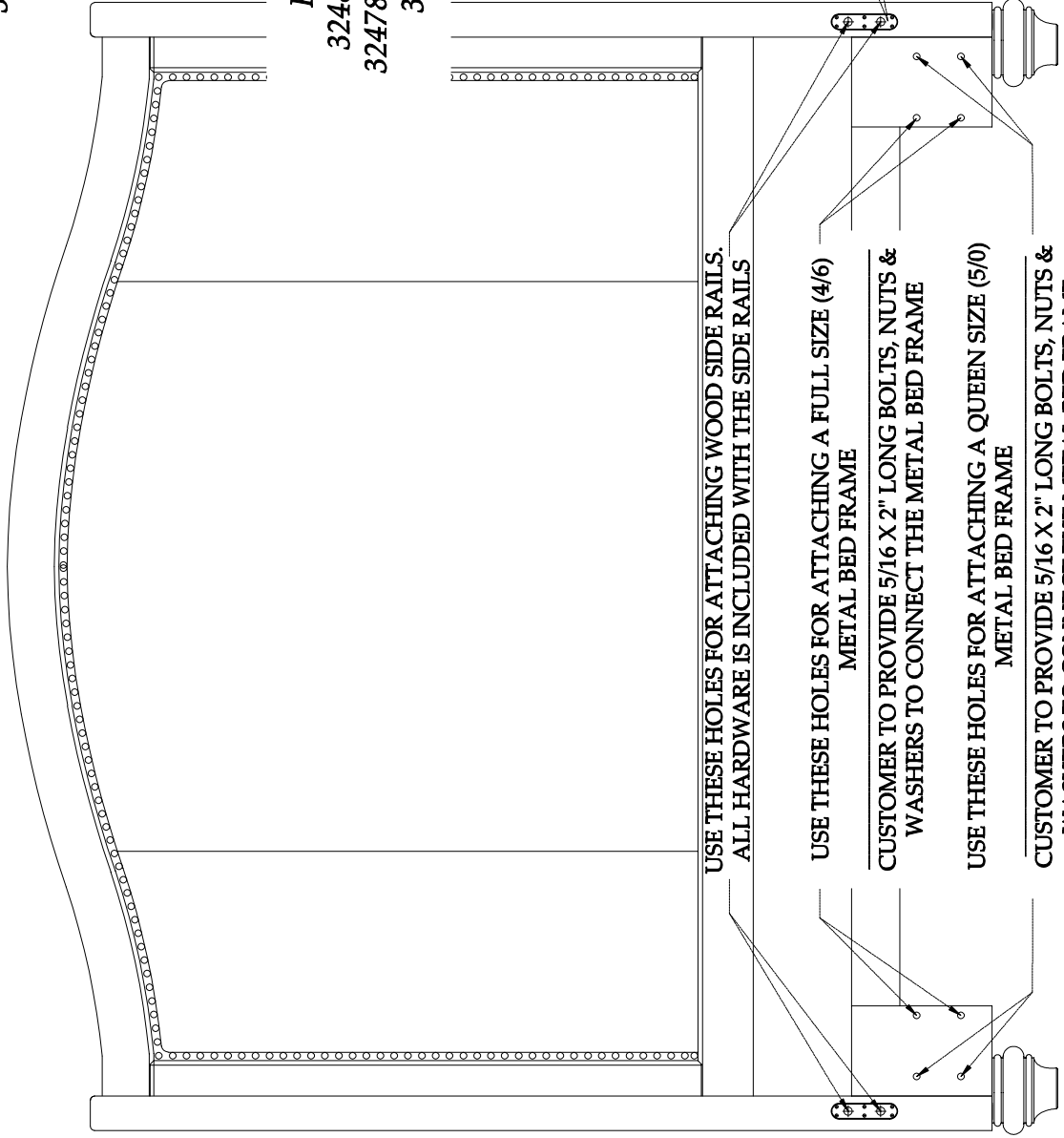
7. Carefully align the Footboard to be 'square' with the Headboard. Using the Open Wrench (D) tighten all Hex Nuts attaching the Side Rails to the Headboard and Footboard. (See Detail C)

8. Attach the Support Leg (E) to the Wood Slat (H). (See Detail: D)

9. Attach the Wood Slats to the Bed Rails using the Wood Screws (G) and your Phillips Screwdriver. The levelers located at the bottom of the Support Legs can be adjusted if necessary. (See Detail E)



For the Complete Queen Standard Bed Use:
32486 -- 4/6 - 5/0 Sleigh Upholstered Headboard
32487 -- 5/0 Sleigh Footboard & Slats.
32482 -- 5/0 - 6/6 Sleigh/Storage Bed Rails



For the Complete Queen Storage Bed Use:
32486 -- 4/6 - 5/0 Sleigh Upholstered Headboard
32478 -- 5/0 Storage Footboard & Plywood Platform
32482 -- 5/0 - 6/6 Sleigh/Storage Bed Rails

USE THESE HOLES FOR ATTACHING WOOD SIDE RAILS.
ALL HARDWARE IS INCLUDED WITH THE SIDE RAILS

USE THESE HOLES FOR ATTACHING A FULL SIZE (4/6)
METAL BED FRAME
CUSTOMER TO PROVIDE 5/16 X 2" LONG BOLTS, NUTS &
WASHERS TO CONNECT THE METAL BED FRAME

USE THESE HOLES FOR ATTACHING A QUEEN SIZE (5/0)
METAL BED FRAME

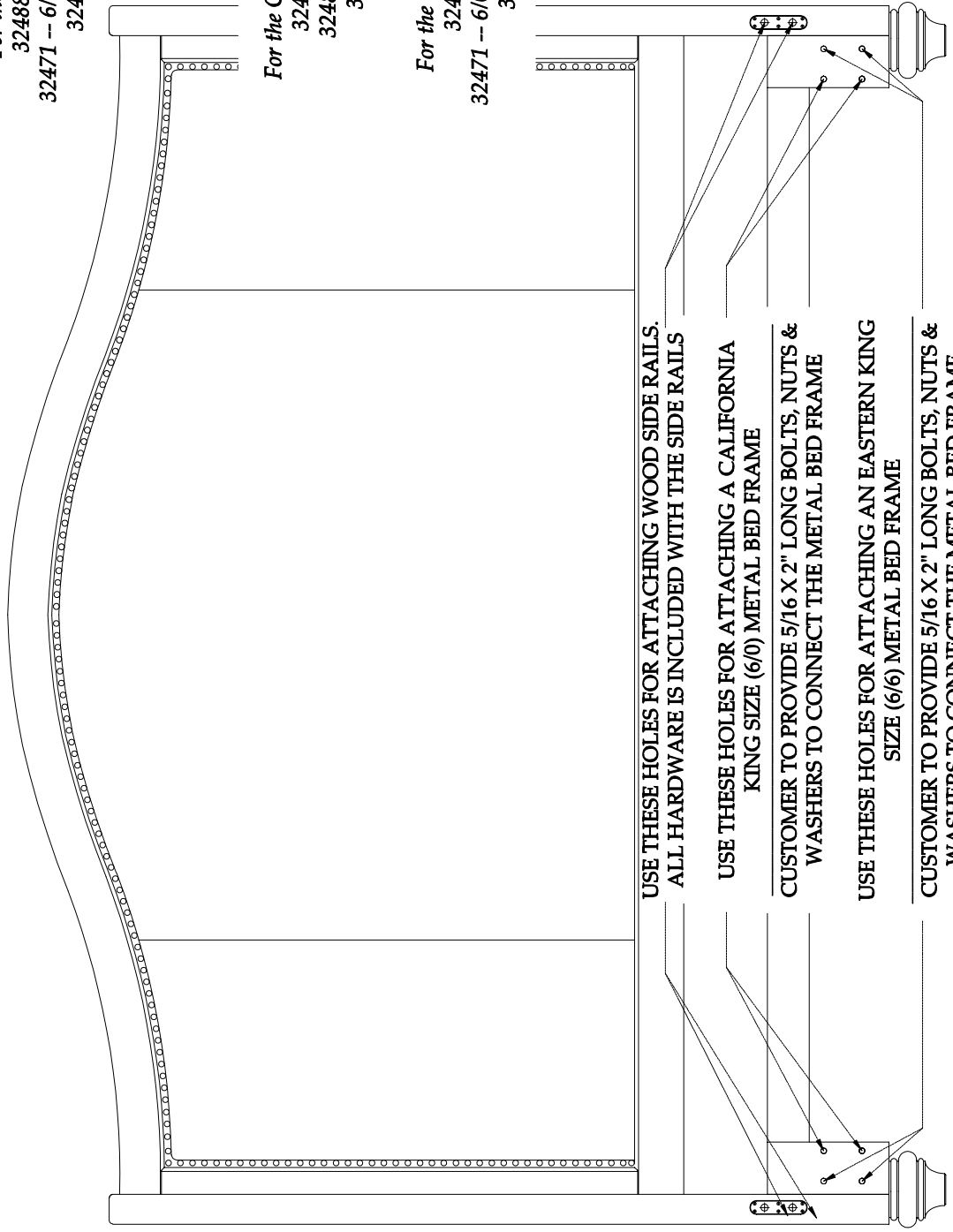
CUSTOMER TO PROVIDE 5/16 X 2" LONG BOLTS, NUTS &
WASHERS TO CONNECT THE METAL BED FRAME

For the Complete Eastern King Standard Bed Use:
32488 -- 6/0-6/6 Sleigh Upholstered Headboard
32489 -- 6/0 - 6/6 Sleigh Footboard & Slats.
32482 -- 5/0 - 6/6 Sleigh/Storage Bed Rails

For the Complete Eastern King Storage Bed Use:
32488 -- 6/0-6/6 Sleigh Upholstered Headboard
32471 -- 6/0 - 6/6 Storage Footboard & Plywood Platform.
32482 -- 5/0 - 6/6 Sleigh/Storage Bed Rails

For the Complete California King Standard Bed Use:
32488 -- 6/0-6/6 Sleigh Upholstered Hdbd
32489 -- 6/0 - 6/6 Sleigh Footboard & Slats.
32492 -- 6/0 Sleigh/Storage Bed Rails

For the Complete California King Storage Bed Use:
32488 -- 6/0-6/6 Sleigh Upholstered Hdbd
32471 -- 6/0 - 6/6 Storage Footboard & Plywood Platform.
32492 -- 6/0 Sleigh/Storage Bed Rails



USE THESE HOLES FOR ATTACHING WOOD SIDE RAILS.
ALL HARDWARE IS INCLUDED WITH THE SIDE RAILS

USE THESE HOLES FOR ATTACHING A CALIFORNIA
KING SIZE (6/0) METAL BED FRAME

CUSTOMER TO PROVIDE 5/16 X 2" LONG BOLTS, NUTS &
WASHERS TO CONNECT THE METAL BED FRAME

USE THESE HOLES FOR ATTACHING AN EASTERN KING
SIZE (6/6) METAL BED FRAME

CUSTOMER TO PROVIDE 5/16 X 2" LONG BOLTS, NUTS &
WASHERS TO CONNECT THE METAL BED FRAME

