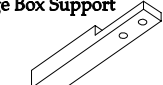
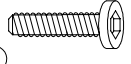


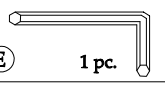






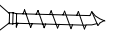
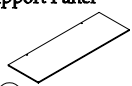
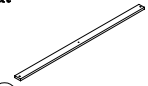
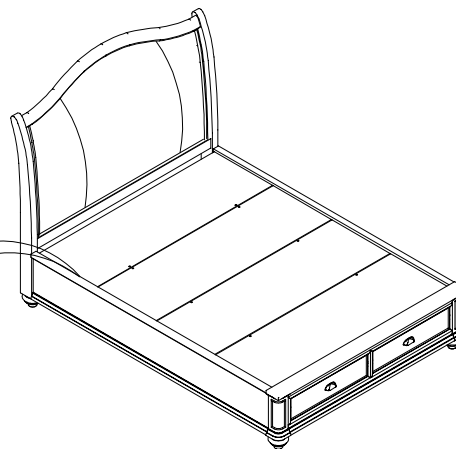


Parts List

Storage Box Support Leg  (A) 2 pcs/set.	M1/4" x 1-1/4" Allen Head Bolt  (B) 4 pcs.	M1/4" Spring Washer  (C) 4 pcs.	M1/4" Flat Washer  (D) 4 pcs.	4mm Allen Wrench  (E) 1 pc.	Bun Feet  (F) 4 pcs/set.
M5/16" x 3-1/2" All-thread Bolt  (G) 8 pcs.	M5/16" Hex Nut  (H) 8 pcs.	M5/16" Spring Washer  (I) 8 pcs.	13mm Open Wrench  (J) 1 pcs.	Support Leg  (K) 4 pcs. for 5/0	#8 x 1" Wood Screw  (L) 18 pcs. for 5/0
Support Panel  (M) 4 pcs. per bed	Slat  (N) 5 pcs. per bed				

Note: For A Storage Bed Set-up, the wood support cleats on the Side Rails must be attached at the upper location.



5/0 Sleigh Storage Bed Components

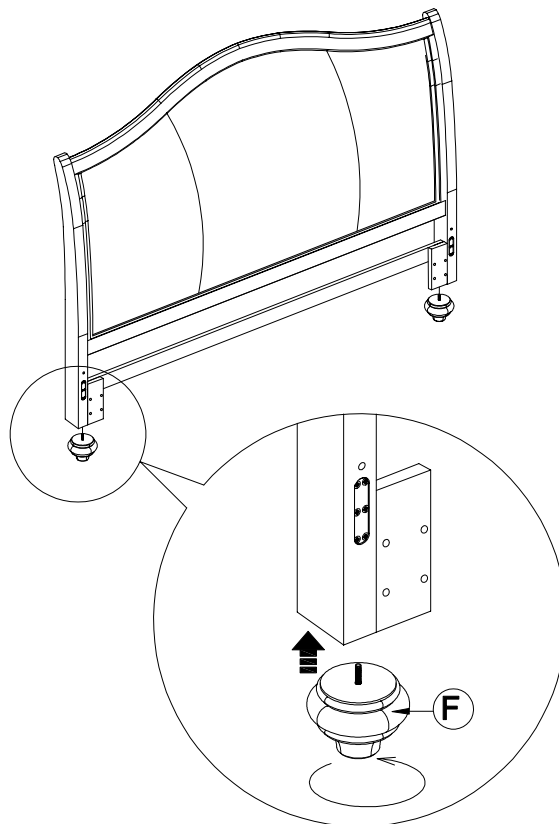
32486 / 32586 -- 4/6 - 5/0 Sleigh Upholstered Headboard

32478 / 32578 -- 5/0 Storage Footboard & Fiber board Platform.

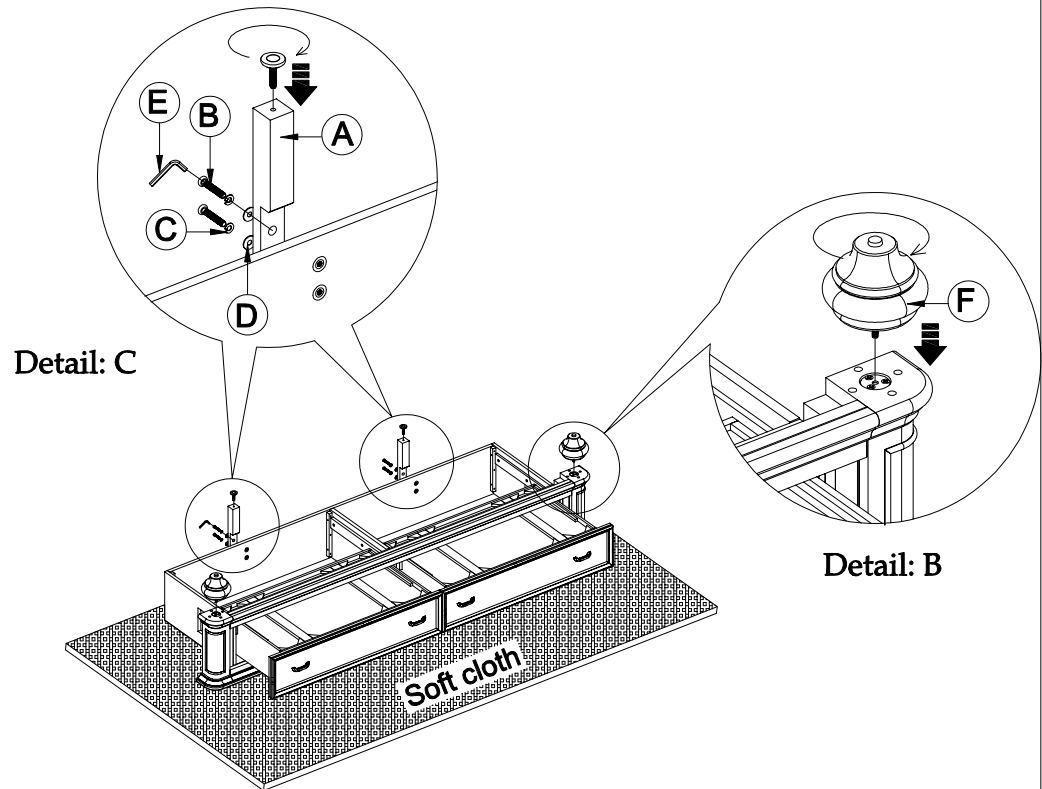
32482 / 32582 -- 5/0 - 6/6 Sleigh/Storage Bed Rails

ASSEMBLY STEPS :

1. Place the Headboard backside down on a clean and soft surface. Attach Bun Feet (F) to the Headboard. (See Detail A)
2. Place the Storage Footboard upside down on a clean and soft surface. Attach the Bun Feet (F) to the Storage Footboard. (See Detail B)
3. Attach the Support Legs (A) to the Storage Footboard, using the 1-1/4" long Allen Head Bolts (B), Spring Washers (C) and Flat Washers (D). Tighten with the Allen Wrench (E). (See Detail C)
4. Carefully turn the Storage Footboard back upright.



Detail: A



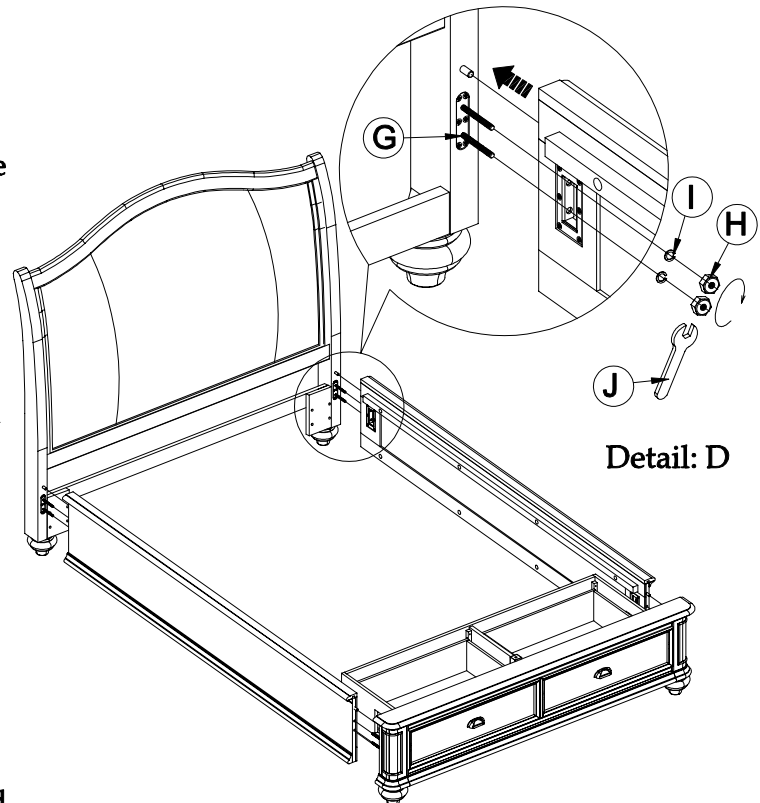
5. Install the eight All-Thread Bolts (G) into the threaded metal plates mounted on the Headboard and Footboard posts.

6. Gently lean the Headboard against the wall where the completed Bed will be located in the room.

7. Position one end of one Bed Rail onto the All-Thread Bolts and fasten with the Spring Washers (I) and Hex Nuts (H). Only partially tighten the Hex Nuts until the Footboard has been connected. Repeat for other Bed Rail.

8. Position and connect the Footboard to the other end of the Bed Rails as in previous Step.

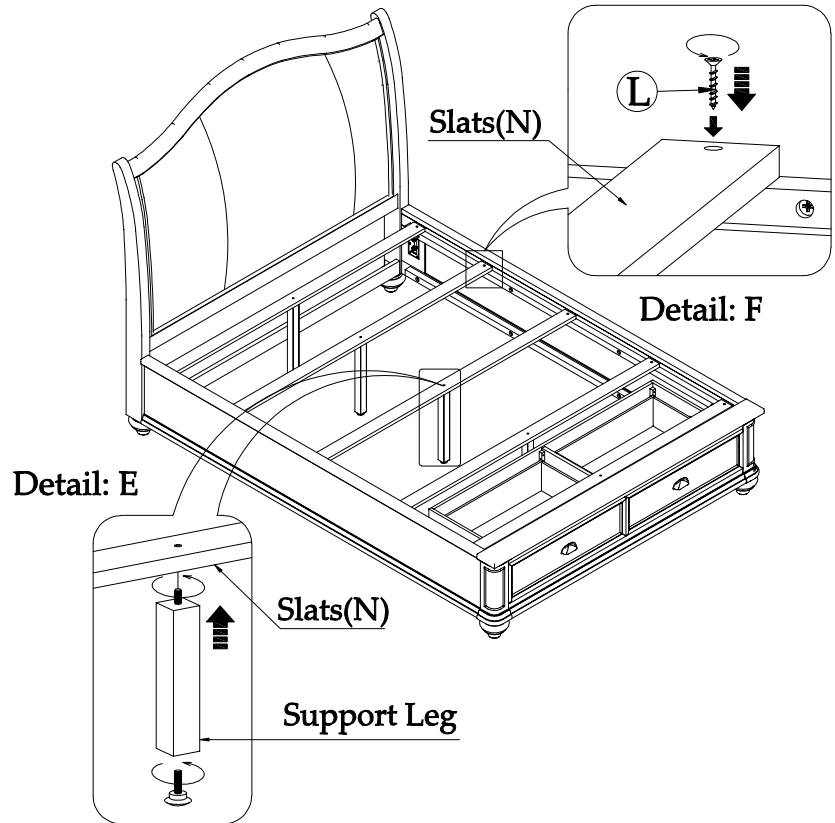
9. Carefully align the Footboard to be 'square' with the Headboard. Using the Open Wrench (J) tighten all Hex Nuts attaching the Side Rails to the Headboard and Footboard. (See Detail D).



10. Attach the Support Leg (K) to the Wood Slat (N). (See Detail: E)

Using one of the Support Panels as a gauge, locate and position the five Slats so there is a Slat underneath, centered at the edge of each Support Panel.

11. Attach the Wood Slats to the Bed Rails using the Wood Screws (L) and your Phillips Screwdriver. The levelers located at the bottom of the Support Legs can be adjusted if necessary to support and level the Slat. (See Detail F)



CAUTION:

Be sure each Support Panel is supported by two slats, one under each edge.

12. Attach the Support Panels (M) using the Wood Screws (L) and your Phillips Screwdriver. (See Detail G).

