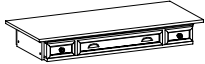
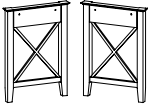

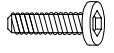



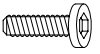



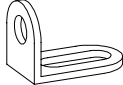
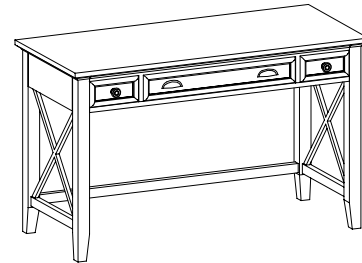


## Components and Hardware List

<b>DESK TOP</b>  <b>(A)</b> 1 pc.	<b>End Frame (Right &amp; Left)</b>  <b>(B)</b> 2 pcs.	<b>Back Stretcher</b>  <b>(C)</b> 1 pc.
<b>M5/16" x 1" Allen Head Bolt</b>  <b>(D)</b> 8 pcs.	<b>5/16"x19mm Flat Washer</b>  <b>(E)</b> 8 pcs.	<b>5/16" Spring Washer</b>  <b>(F)</b> 8 pcs.
<b>5mm Allen Wrench</b>  <b>(G)</b> 1 pc.	<b>M1/4" x 3/4" Allen Head Bolt</b>  <b>(H)</b> 4 pcs.	<b>1/4"x16mm Flat Washer</b>  <b>(I)</b> 4 pcs.
<b>1/4" Spring Washer</b>  <b>(J)</b> 4 pcs.	<b>4mm Allen Wrench</b>  <b>(K)</b> 1 pc.	<b>'L' Bracket</b>  <b>(L)</b> 2 pcs.



#32420 & #32520

WRITING DESK

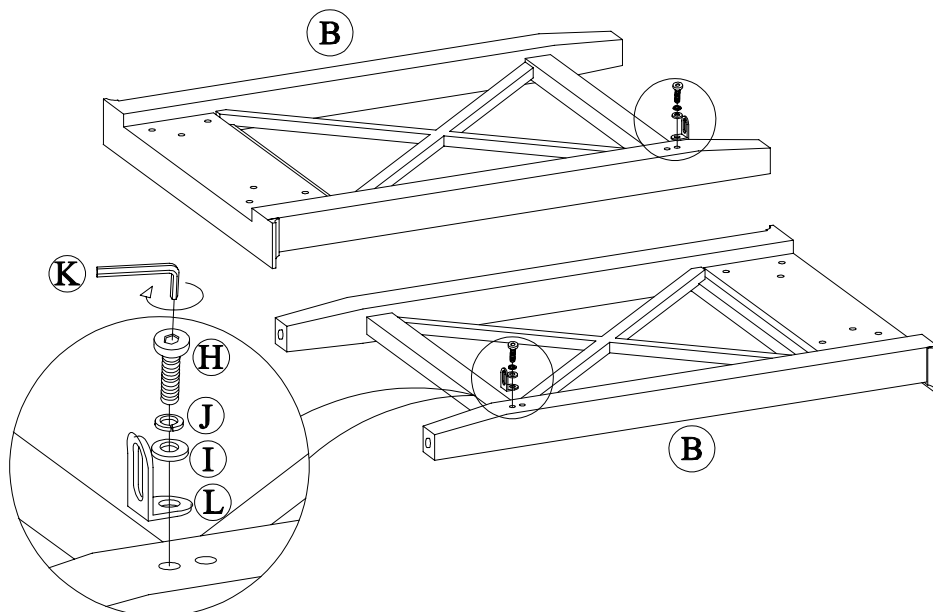
Be sure to check all packing material carefully for small parts, which may have come loose inside the carton during shipment.

If the Corner Unit is used, it can be bolted on either the left or right-hand side of the Credenza or Writing Desk. Hole covers are installed into the connecting holes on both ends and after determining which end the Corner Unit will be attached, locate the holes from the inside of the End Frame and using a small diameter tool such as a screwdriver, push the hole cover out of the hole. Save and store hole covers in case they are needed in the future.

Step 1. Place the Writing Desk Top (A) and End Frames (B) face down on a clean and soft surface.

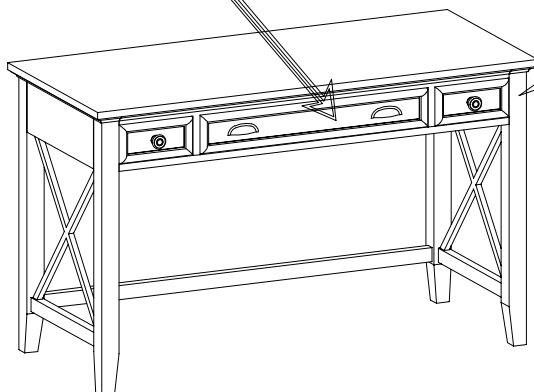
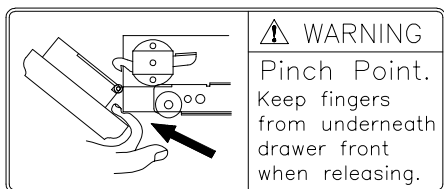
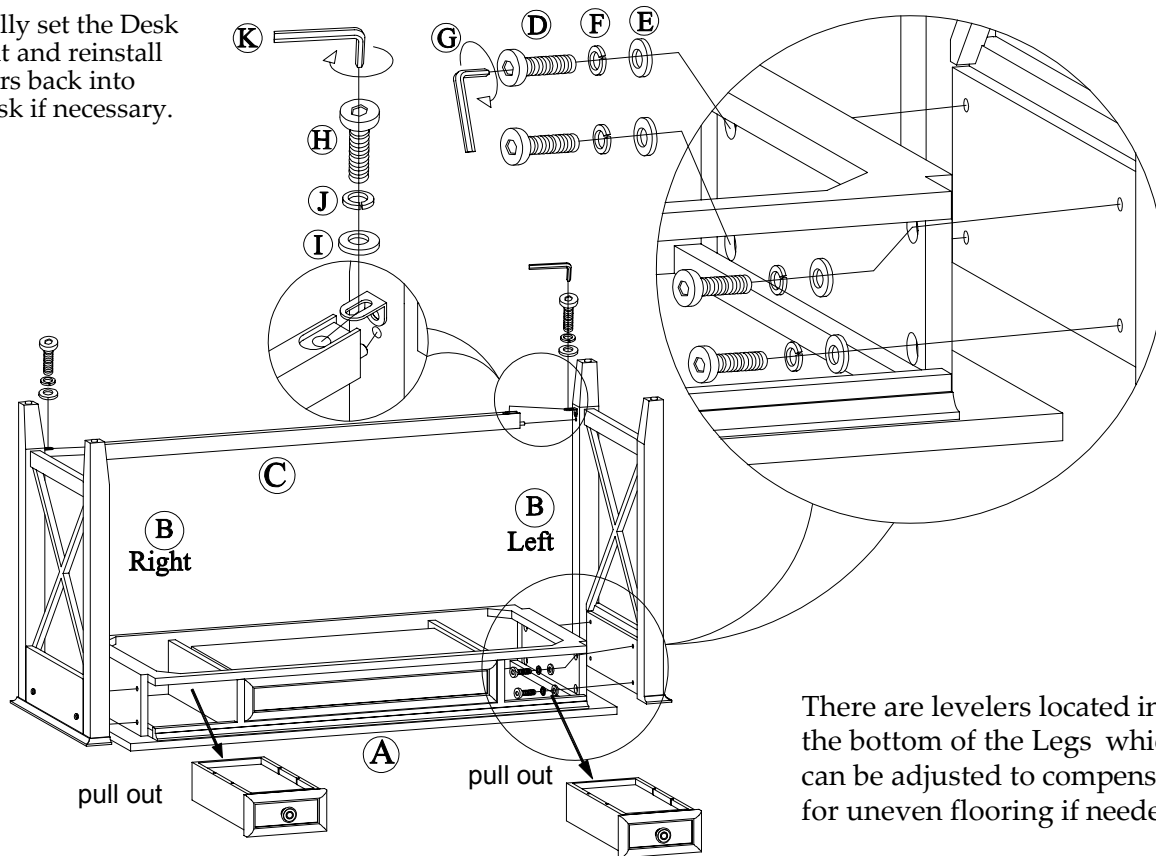
If the Corner Unit will be connected to this desk, remove the hole covers from the appropriate End Frame.

Step 2. Assemble the L-Brackets (L) to the End Frames using the Allen Head Bolts (H) Spring Washers (J) and Flat Washers (I). Tighten with the 4mm Allen Wrench (K) as shown.



- Step 3. Connect one End Frame to the end of the Top Frame, using the Allen Head Bolts (D), Spring Washers (F), and Flat Washers (E). Do not fully tighten until the entire Desk has been assembled.
- Step 4. Position the Back Stretcher between the two End Frames and attach the remaining End Frame using the same Bolts and Washers as in the previous step.
- Step 5. Tighten Bolts previously installed using the 5mm Allen Wrench.
- Step 6. Connect the ends of the Back Stretcher using the Allen Head Bolts (H), Spring Washers (J) and Flat Washers (I). While pulling end of Stretcher snug to the End Frame, tighten bolts using the 4mm Allen Wrench (K).

Carefully set the Desk upright and reinstall Drawers back into the Desk if necessary.



If it becomes necessary to remove a drawer, follow these steps. With the drawer fully open, the drawer slides must be released by pushing the "trigger" located in the slide either up or down, depending on which slide is being released. With both triggers pushed, gently pull the drawer until the slides release.

Carefully reinstall the drawers by aligning the channels of the drawer slides and gently pushing the drawers back into the cabinet.