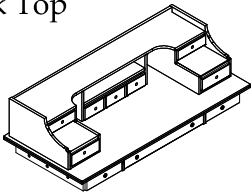
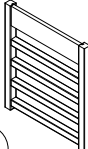
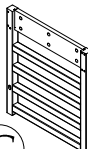
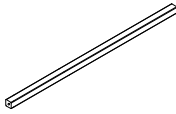
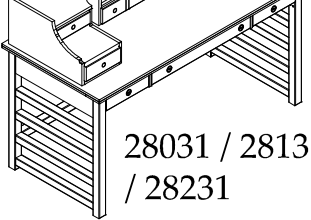
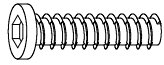
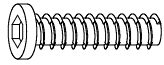




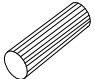


Components and Hardware List

Desk Top  (A) 1 pc.		Left leg  (B) 1 pc.	Right Leg  (C) 1 pc.	Stretchcher  (D) 1 pc.	 28031 / 28131 / 28231	
$\frac{5}{16}$ "-18 x 44mm Allen Head Bolt  (E) 2 pcs.	$\frac{5}{16}$ "-18 x 32mm Allen Head Bolt  (F) 12 pcs.	$\frac{5}{16}$ " Spring Washer  (G) 14 pcs.	$\frac{5}{16}$ " x 19 x 2mm Flat Washer  (H) 14 pcs.	Half Moon Washer  (I) 2 pcs.	5mm Allen Key  (J) 1 pc.	Wood Dowel  (K) 2 pcs.

Be sure to check all packing material carefully for small parts, which may have come loose inside the carton during shipment.

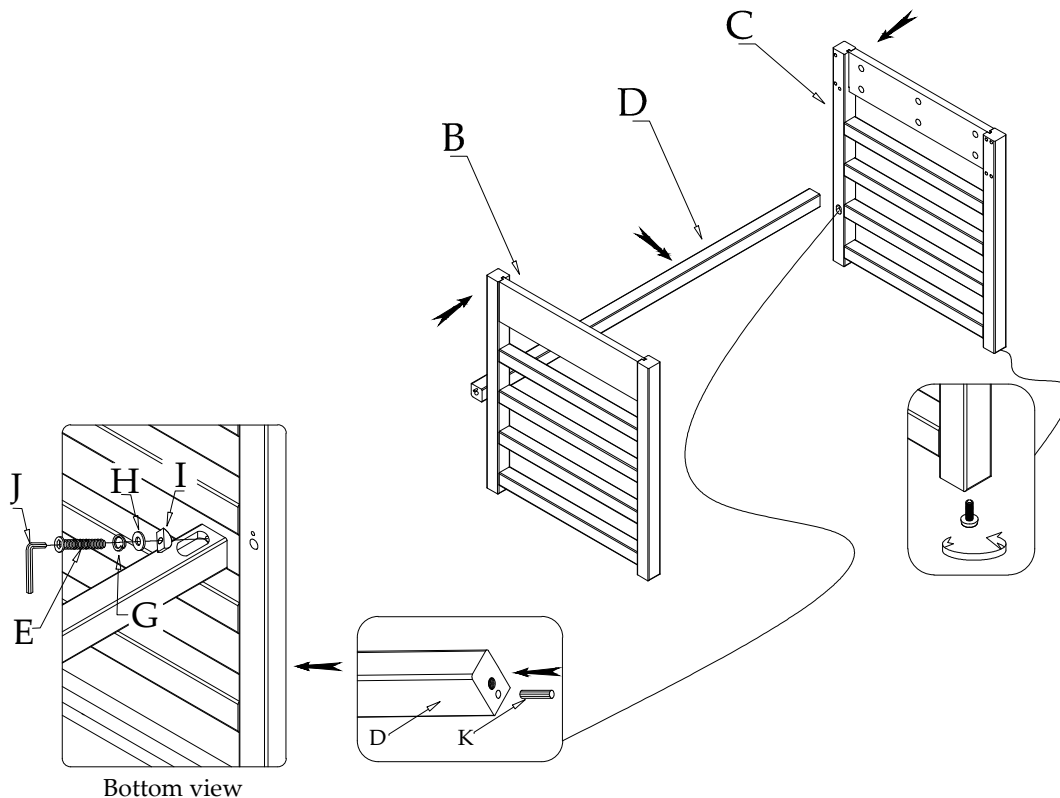
Step 1: Attach Wood Dowel(K) to pre-drilled holes on the Stretchcher(D), attach Stretchcher(D) to the Legs (B,C) by aligning the pre-drilled holes on the Legs (B,C) with the Wood Dowel of Stretchcher, using 44mm long Allen Head Bolt (E), Spring Washer (G), Flat washer (H) and Half Moon Washer (I), **loosely tighten** with the 5mm Allen Key (J) as shown

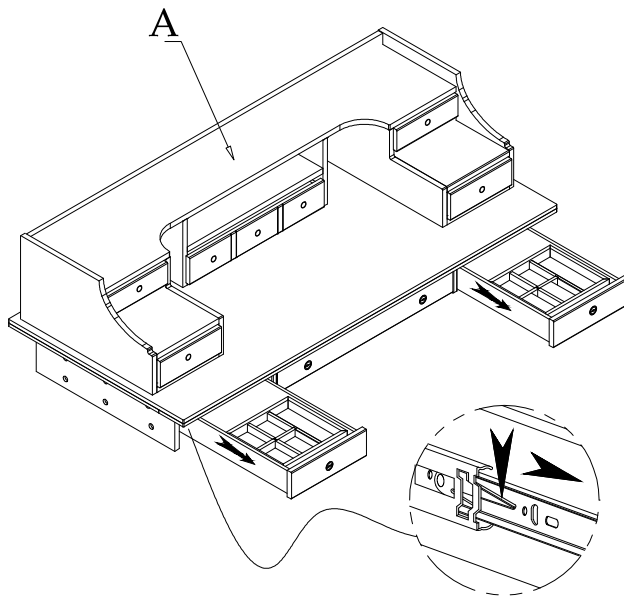
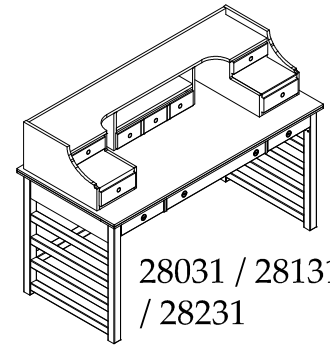
Step 2: Refer to the steps on the next page and remove the drawers from the Desk Top (A) and lay them aside. Note which opening each is removed from so they can be reinstalled back into the same location. Place the Desk Top on its back edge on a clean, soft surface.

Step 3: Attach the Legs at the two side of the Desk Top (A) using the 1-1/4" long Allen Head Bolts (F), Spring Washers (G) and Lock Washers (F). **loosely tighten** with the 5mm Allen Key (J)

Step 3: Adjust fit if necessary and tighten Bolts using the Allen Key (J).

Step 4: Carefully set the Desk upright and reinstall the drawers.





To remove the drawer if it ever becomes necessary:

- A. Pull the drawer fully open so the black latch is visible in the inside channel of the guides.
- B. Release the latches by simultaneously pushing left side lever up and the right side down.
- C. At the same time, pulling the drawer forward until the slides release.

To reinstall the drawers, carefully align the channels of the guide and push drawer back into cabinet. Open and close drawer fully a couple times to verify proper operation.

