
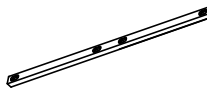






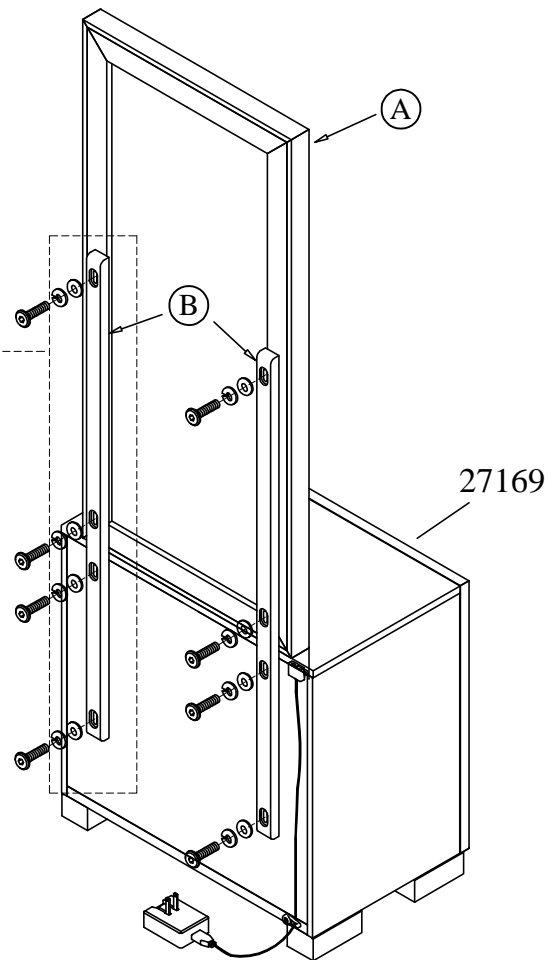
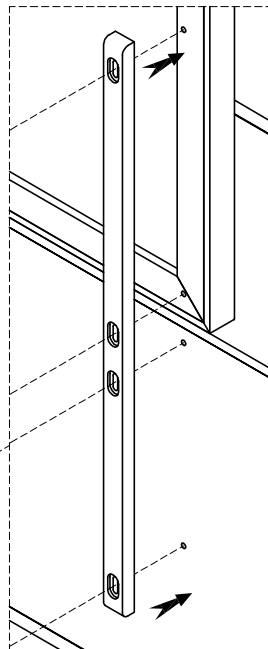
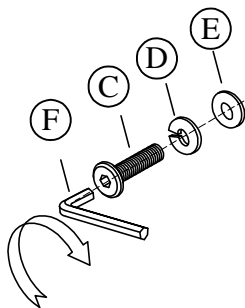
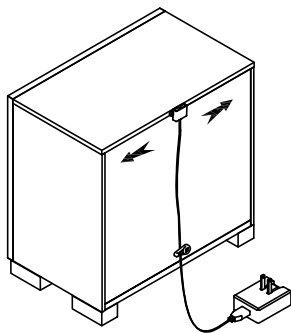
27163  
Accent Mirror

**Warning :**

- Be sure to check all packing material carefully for small parts, which may have come loose inside the carton during shipment.
- To prevent possible scratches and damage, this furniture **MUST BE ASSEMBLED BY TWO PEOPLE** on a soft surface such as a blanket or carpet.

**Components and Hardware List**

<p>Mirror Frame</p>  <p>(A) 1 pc.</p>	<p>Support Bar</p>  <p>(B) 2 pcs.</p>	<p>Allen Head Bolt 1/4"-20 x 1-1/2"</p>  <p>(C) 8 pcs.</p>	<p>Spring Washer 1/4"</p>  <p>(D) 8 pcs.</p>
<p>Flat Washer 1/4" x 16*2mm</p>  <p>(E) 8 pcs.</p>	<p>Allen Key 4mm</p>  <p>(F) 1 pc.</p>		



If using mirror on the Nightstand, the USB can be moved from the center location to the Left or Right side of Mirror.