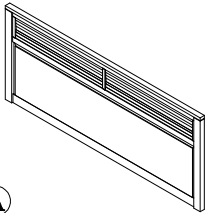
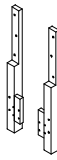
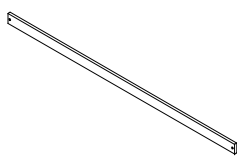
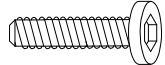
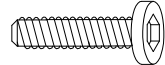


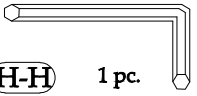
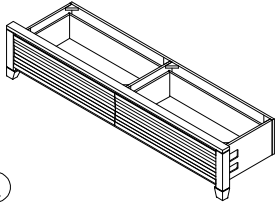
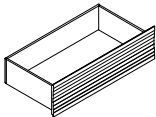
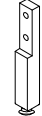

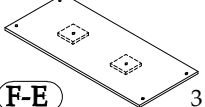
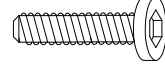


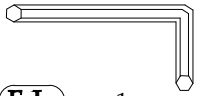
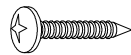



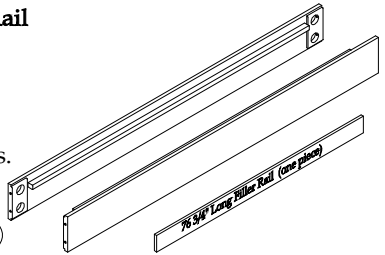

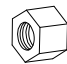


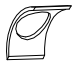

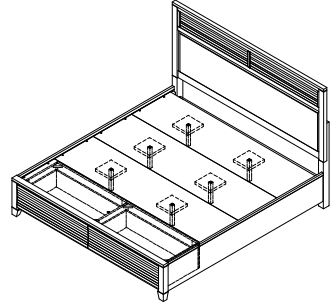
Hardware and Parts packed with the Headboard

Headboard Panel  (H-A) 1 pc.		Headboard Post  (H-B) One Left & One Right		Headboard Stretcher  (H-C) 1 pc.	
M5/16" x 1-5/8" Long Allen Head Bolt  (H-D) 2 pcs.	M5/16" x 2" Long Allen Head Bolt  (H-E) 6 pcs.	M5/16" Spring Washer  (H-F) 8 pcs.	M5/16" x 19mm Flat Washer  (H-G) 8 pcs.	5mm Allen Wrench  (H-H) 1 pc.	

Hardware and Parts packed with the Footboard

Storage Footboard Frame  (F-A) 1 pc.		Drawer  (F-B) 2 pcs.		Drawer Box Support Leg 7" long with leveler  (F-C) 2 pcs.		Panel Support Leg 14-1/4" long with leveler  (F-D) 6 pcs.			
6/6 Wood Panel with blocks 76-3/4" x 20-1/8"  (F-E) 3 pcs.		M5/16" x 1-1/2" Long Allen Head Bolt  (F-F) 4 pcs.		M5/16" Spring Washer  (F-G) 4 pcs.		M5/16" x 19mm Flat Washer  (F-H) 4 pcs.		5mm Allen Wrench  (F-I) 1 pc.	
#8 x 1" Wood Screw  (F-J) 16 pcs.		6/6 Wood Panel-plain 76-3/4" x 20-1/8"  (F-K) 1 pc.							

Hardware and Parts packed with the Bed Rails

Bed Rail  2 pcs. (R-A)		M5/16" x 3" All-Thread Bolt  (R-B) 8 pcs.		M5/16" Hex Nut  (R-C) 8 pcs.		M5/16" Spring Washer  (R-D) 8 pcs.		M5/16" x 16mm Flat Washer  (R-E) 8 pcs.	
		Ø50mm Arc-Washer  (R-F) 8 pcs.		Open Wrench  (R-G) 1 pc.					

6/0-6/6 King Storage Bed

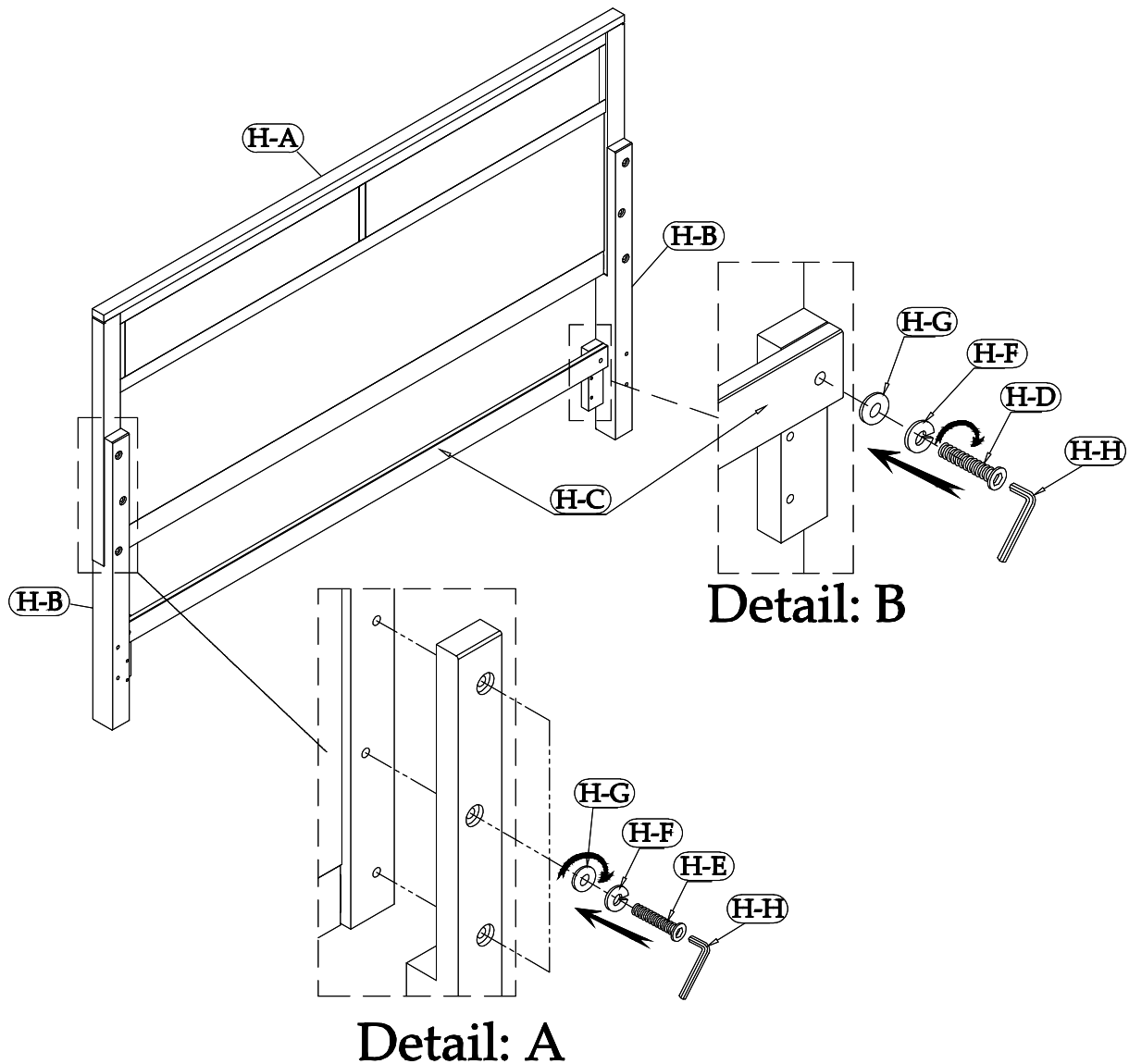
25780 -- 6/0-6/6 Panel Headboard

(NOTE: the 25785 Leather Headboard may be used as an alternate)

25774 -- 5/0-6/6 Storage Bed Rails

or--25782 --6/0 Storage Bed Rails

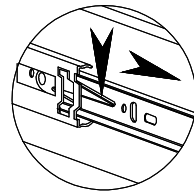
25783 -- 6/0-6/6 Storage Footboard w/Platform



ASSEMBLY STEPS :

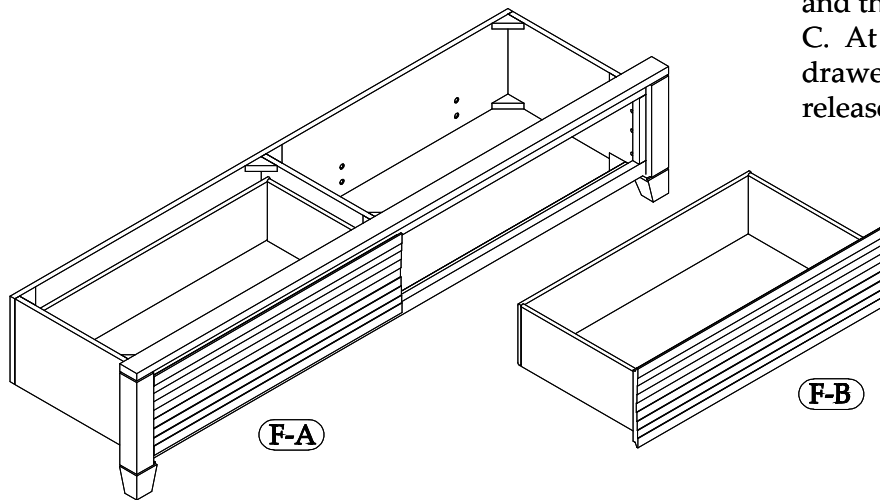
1. Place the Headboard Panel (H-A) face down on a clean and soft surface.
2. Attach the Left and Right Headboard Posts (H-B) to the back of the Headboard Panel, using the Flat Washers (H-G), Spring Washers (H-F) and 2" Long Bolts (H-E). Do not fully tighten until after next step. (see Detail A).
3. Attach the Back Stretcher (H-C) to the Headboard Posts using the same Washers and 1-5/8" Long Bolts (H-D) as in previous step.
4. Tighten all Bolts using the Allen Wrench (H-H). (see Detail A & B).

Gently lean the back of the assembled Headboard against the wall where the Bed will be located in the room.

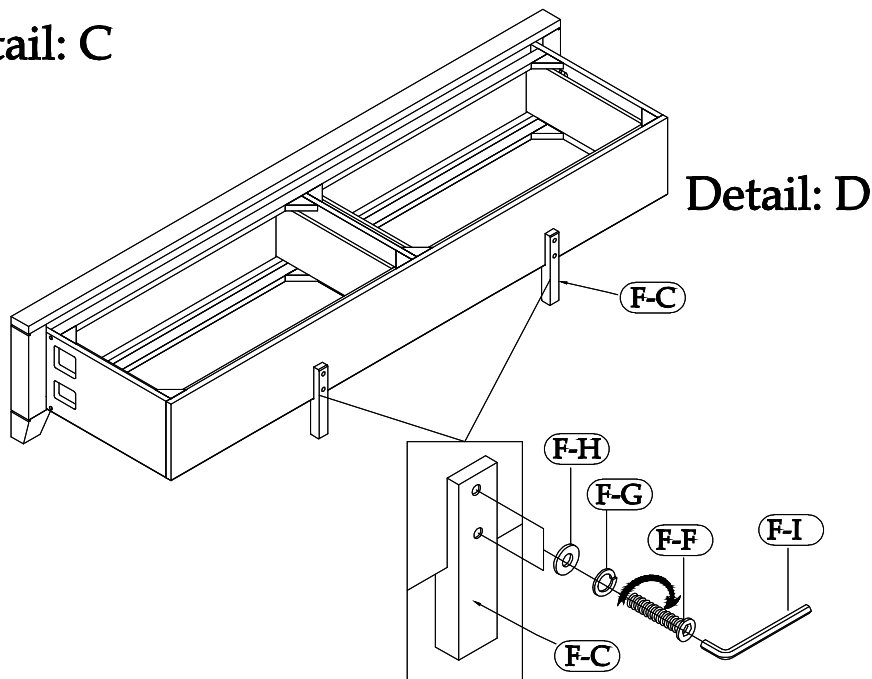


To remove the drawer:

- A. Pull the drawer fully open so the black latch is visible in the inside channel of the guides.
- B. Release the latches by simultaneously pushing one lever up and the other down.
- C. At the same time, pulling the drawer forward until the slides release.



Detail: C



Detail: D

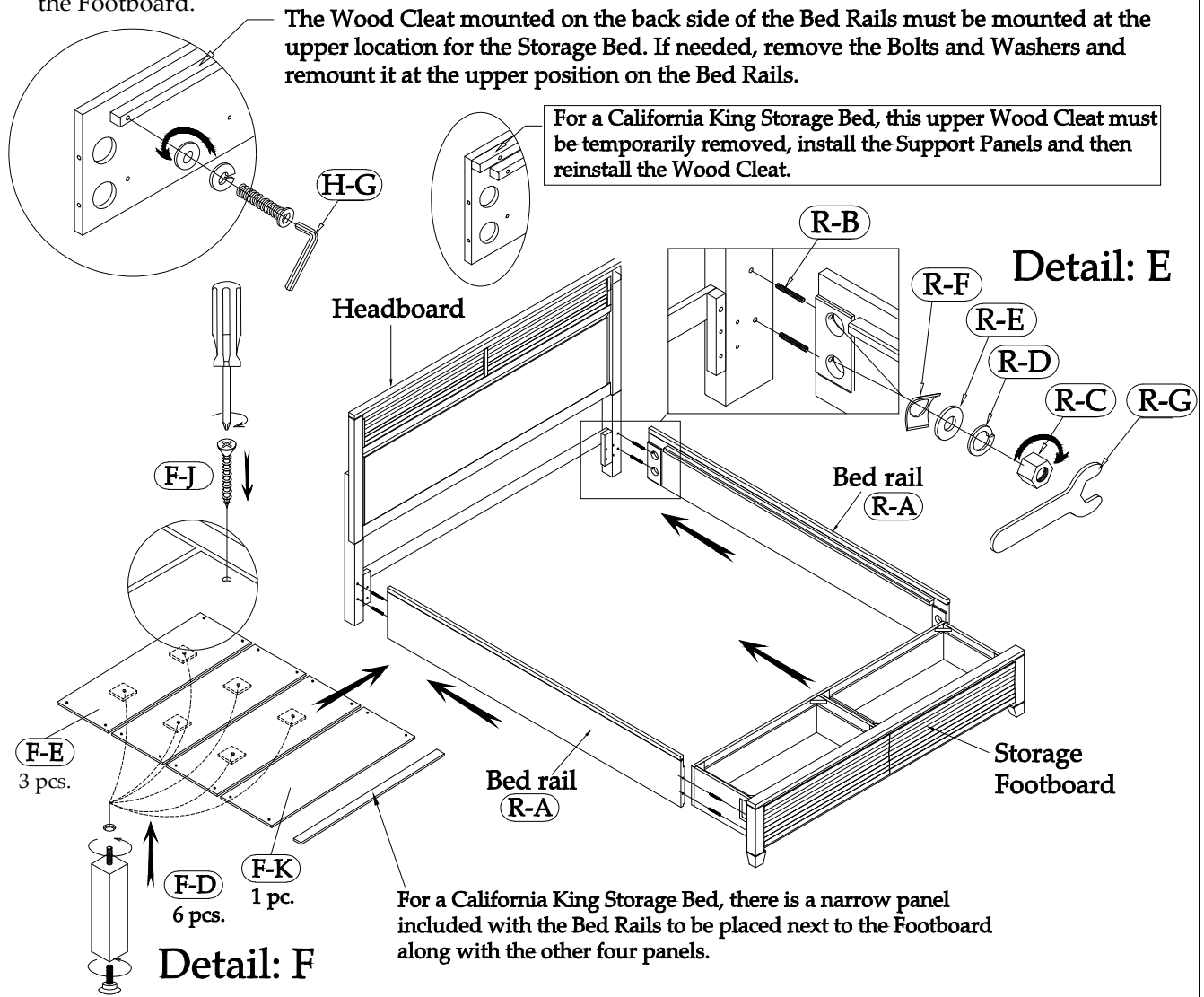
ASSEMBLY STEPS :

1. Remove both drawers from the Storage Footboard. Refer to the steps above.
2. Place the Storage Footboard (F-A) face down on a clean and soft surface.
3. Attach the Drawer Box Support Legs (F-C) using the Flat Washers (F-H), Spring Washers (F-G) and Bolts (F-F). Tighten with the Allen Wrench (F-I).

ASSEMBLY STEPS :

To prevent possible damage to furniture and personal injury, it is recommended that two people are used to perform the following steps.

5. Install two All-Thread Bolts (R-B) into the metal threaded inserts installed in the Headboard Posts and into the metal inserts on the Storage Footboard.
 6. Carefully position one end of one Bed Rail (R-A) onto the All-thread Bolts on the Headboard and connect using the Arc Washers (R-F), Flat Washers (R-E), Spring Washers (R-D), and Hex Nut (R-C). Only partially tighten the Nuts until the Footboard has been connected. Repeat for other Bed Rail.
 7. Position and connect the Storage Footboard (F-A) to the other end of the Bed Rails, attaching as in the previous Steps.
 8. Carefully align the Storage Footboard to be 'square' with the Headboard. Using the Open Wrench (R-G) tighten all Hex Nuts attaching the Side Rails to the Headboard and Storage Footboard. (See Detail E).
 9. Attach the six Support Legs (F-D) to the bottom side of three Wood Support Panels with Blocks (F-E). The Panel Support Legs must be installed into the 6" x 6" x 1/2" blocks mounted on the bottom side of the panels. (See Detail F). The Support Panel (F-K) used above the drawer compartment does not have a support leg.
 10. Position and attach the Support Panels to the Bed Rails using the Wood Screws (F-J) and your Phillips Screwdriver.
- The levelers located at the bottom of the Support Legs can be adjusted if necessary to support the panels.
11. Reinstall the Drawers into the Footboard by aligning the metal channels of the guides and push back into the Footboard.



6/0-6/6 King Storage Bed

25780 -- 6/0-6/6 Panel Headboard

25774 -- 5/0-6/6 Storage Bed Rails

or--25782 --6/0 Storage Bed Rails

25783 -- 6/0-6/6 Storage Footboard w/Platform

6/0-6/6 King Standard Bed

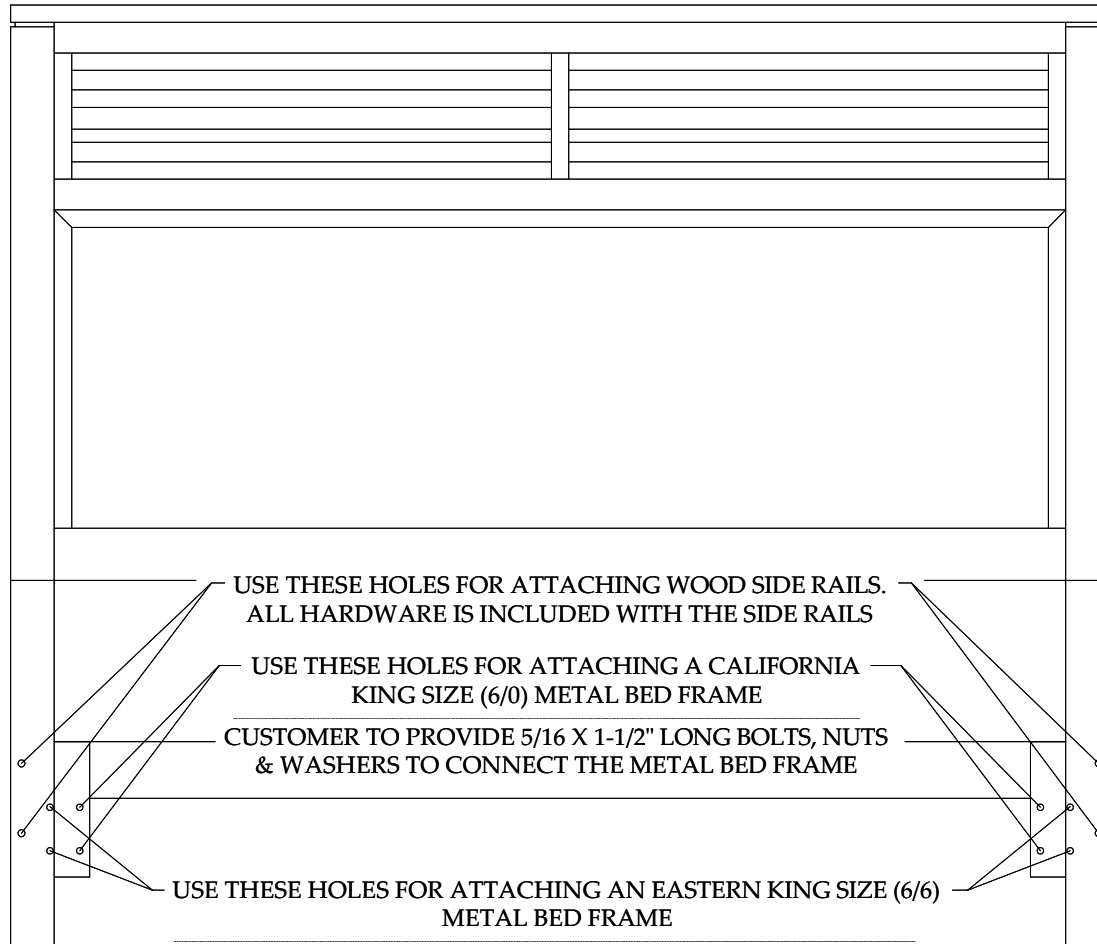
25780 -- 6/0-6/6 Panel Headboard

25772 -- 5/0-6/6 Panel Bed Rails

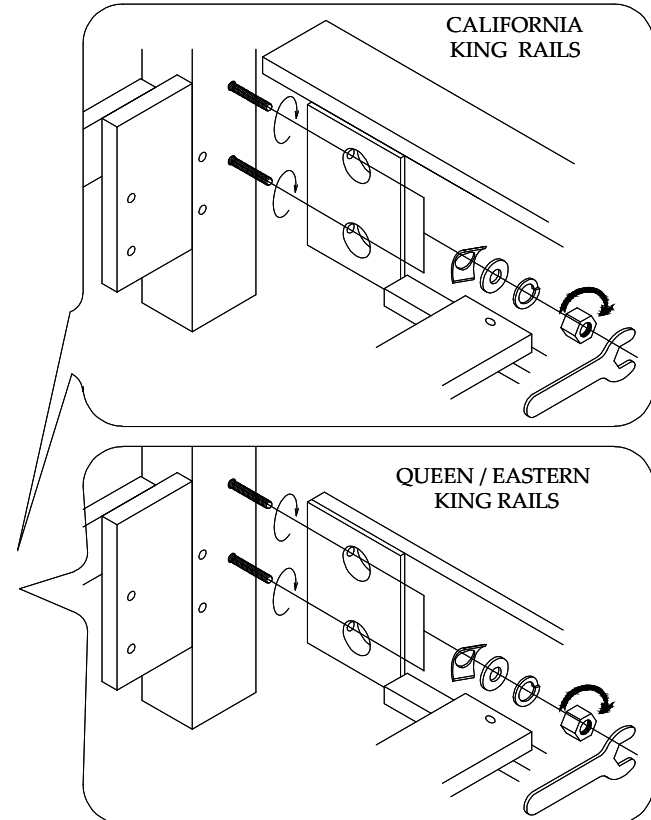
or--25784--6/0 Panel Bed Rails

25781 -- 6/0-6/6 Panel Footboard w/Slats

*The Headboard may be used alone with
an Eastern or California King Size
Metal Bed Frame*



CUSTOMER TO PROVIDE 5/16 X 3-1/2" LONG BOLTS, NUTS &
WASHERS TO CONNECT THE METAL BED FRAME



#25785 Leather King Size Headboard

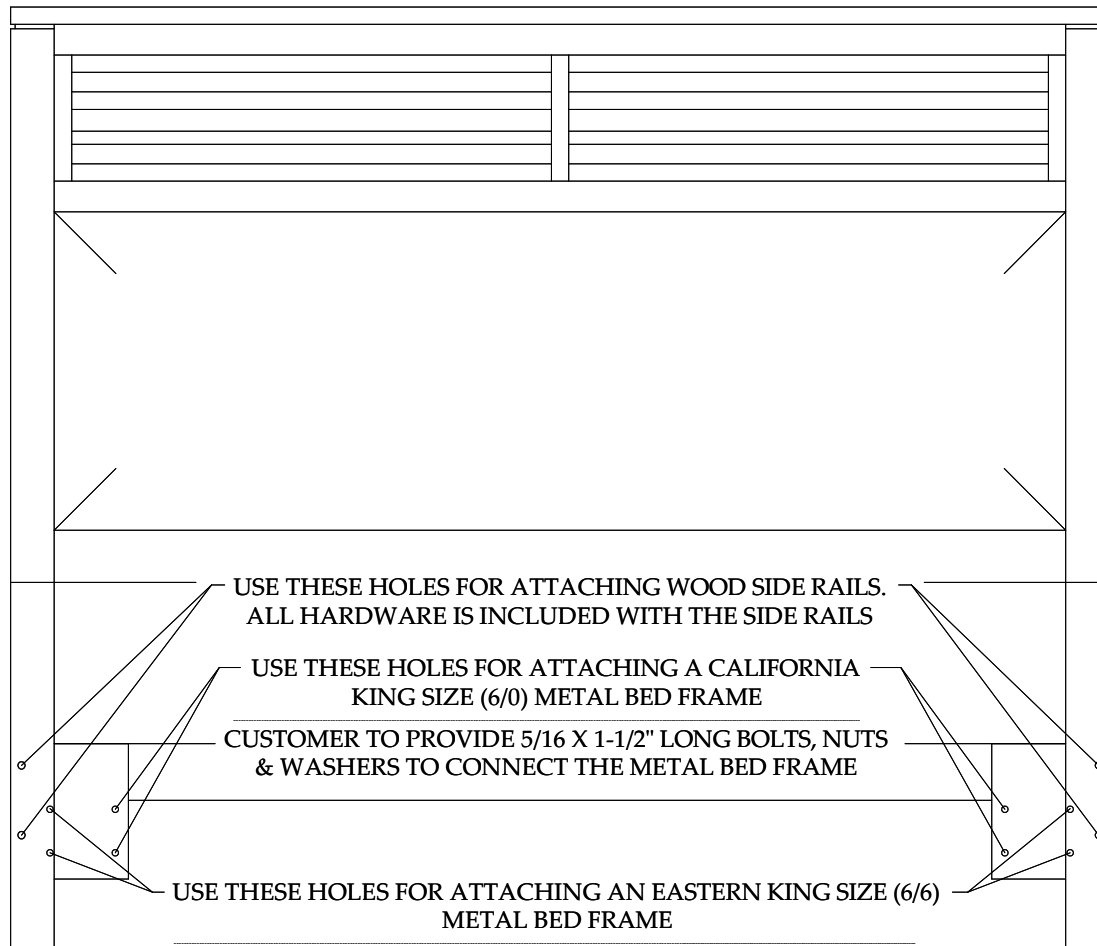
6/0-6/6 King Storage Bed

25785 -- 6/0-6/6 Leather Panel Headboard
25774 -- 5/0-6/6 Storage Bed Rails
or--25782 --6/0 Storage Bed Rails
25783 -- 6/0-6/6 Storage Footboard w/Platform

6/0-6/6 King Standard Bed

25785 -- 6/0-6/6 Leather Panel Headboard
25772 -- 5/0-6/6 Panel Bed Rails
or--25784--6/0 Panel Bed Rails
25781 -- 6/0-6/6 Panel Footboard w/Slats

*The Headboard may be used alone with
an Eastern or California King Size
Metal Bed Frame*



CUSTOMER TO PROVIDE 5/16 X 3-1/2" LONG BOLTS, NUTS &
WASHERS TO CONNECT THE METAL BED FRAME

