



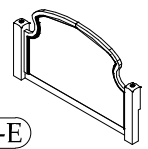
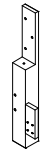

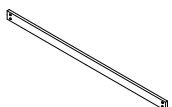


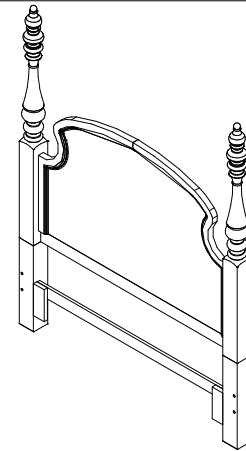


Hardware and Parts packed with the Headboard

<p>Ø5/16" x 1-1/2" Long Allen-Head Bolt</p>  <p>(H-A) 10 pcs.</p>	<p>Ø5/16" x 19 x 2mm Flat Washer</p>  <p>(H-B) 10 pcs.</p>	<p>Ø5/16" x 12 x 3mm Spring Washer</p>  <p>(H-C) 10 pcs.</p>
<p>5mm Allen Wrench</p>  <p>(H-D) 1 pc.</p>	<p>Headboard Panel</p>  <p>(H-E) 1 pc.</p>	<p>Left Leg</p>  <p>(H-F) 1 pc.</p>
<p>Right Leg</p>  <p>(H-G) 1 pc.</p>	<p>Bottom Stretcher</p>  <p>(H-H) 1 pc.</p>	<p>Upper Post</p>  <p>(H-I) 2 pcs.</p>
		<p>Post Top Finial</p>  <p>(H-J) 2 pcs.</p>



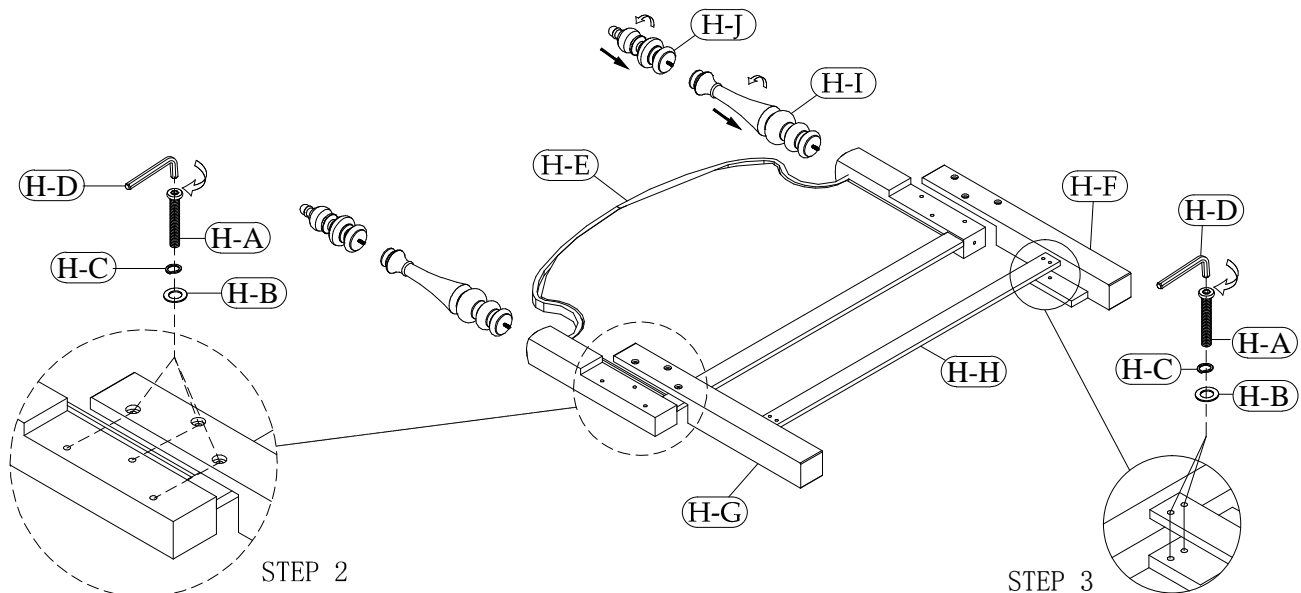
21574 4/6-5/0 Uph. Poster Headboard
21584 6/0-6/6 Uph. Poster Headboard

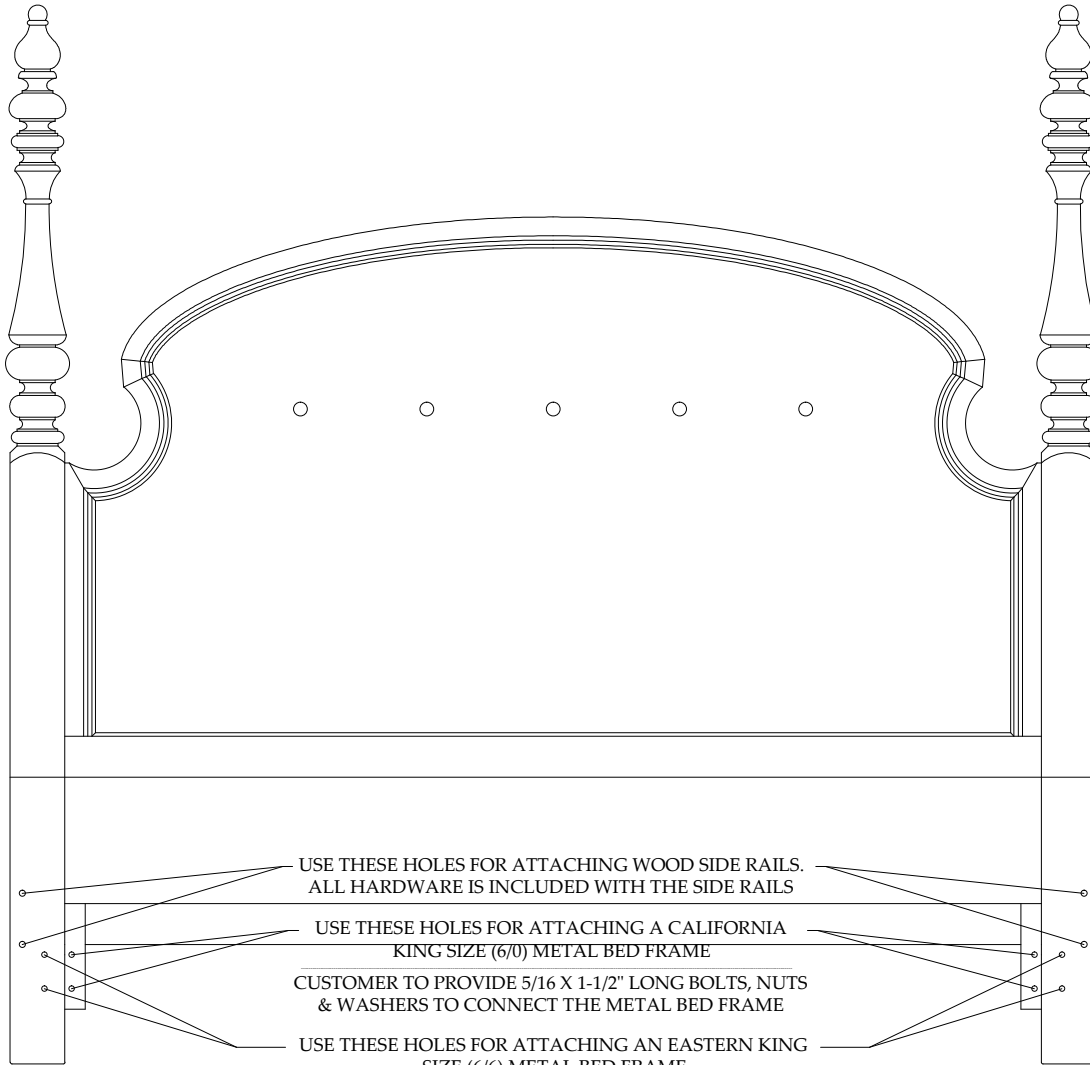
Be sure to check all packing material carefully for small parts, which may have come loose inside the carton during shipment. To prevent possible scratches or damage, this furniture should be assembled on a soft surface such as a blanket or carpet.

ASSEMBLY STEPS:

1. Place the Headboard Panel face down on the soft surface.
2. Attach the Left Leg (H-F) and the Right Leg (H-G) to the back of the Headboard Panel using the Allen-Head Bolts (H-A), Spring Washers (H-C) and Flat Washers (H-B). Do not fully tighten Bolts until after next step.
3. Attach the Bottom Stretcher (H-H) to the Legs as shown using the same Bolts and Washers as before.
4. Tighten all Bolts using the Allen Wrench (H-D).

Note: For a Tall Poster Bed, attach the Upper Post (H-I) and Post Top Finial (H-J) as shown. If a shorter Poster Bed is desired, you can use the Post Top Finial (H-J) without using the Upper Post. Carefully lean the assembled Headboard against the wall where the bed will be used.





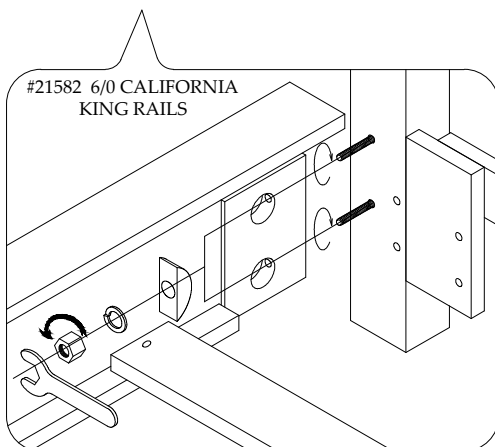
USE THESE HOLES FOR ATTACHING WOOD SIDE RAILS.
ALL HARDWARE IS INCLUDED WITH THE SIDE RAILS

USE THESE HOLES FOR ATTACHING A CALIFORNIA
KING SIZE (6/0) METAL BED FRAME

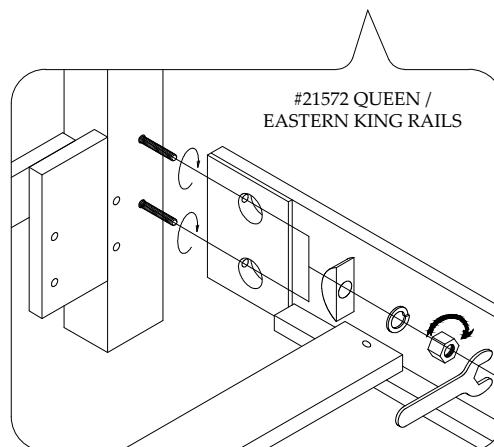
CUSTOMER TO PROVIDE 5/16 X 1-1/2" LONG BOLTS, NUTS
& WASHERS TO CONNECT THE METAL BED FRAME

USE THESE HOLES FOR ATTACHING AN EASTERN KING
SIZE (6/6) METAL BED FRAME

CUSTOMER TO PROVIDE 5/16 X 4-1/2" LONG BOLTS, NUTS
& WASHERS TO CONNECT THE METAL BED FRAME



#21582 6/0 CALIFORNIA
KING RAILS



#21572 QUEEN /
EASTERN KING RAILS

6/0 California King Upholstered Poster Bed
21584 -- 6/0-6/6 Upholstered Poster Headboard
21582 -- 6/0 Bed Rails
21585 -- 6/0-6/6 Poster Footboard w/Slats

6/6 King Upholstered Poster Bed
21584 -- 6/0-6/6 Upholstered Poster Headboard
21572 -- 5/0-6/6 Bed Rails
21585 -- 6/0-6/6 Poster Footboard w/Slats

*The Headboard may be used alone with an Eastern
King or California King Metal Bed Frame*