



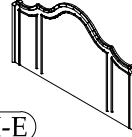
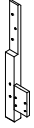
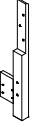
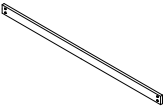
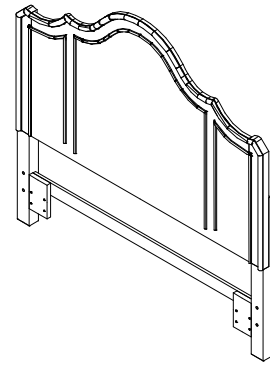


Hardware and Parts packed with the Headboard

<p>Ø5/16" × 1-1/2" Long Allen-Head Bolt</p>  <p>(H-A) 10 pcs.</p>	<p>Ø5/16" × 19 × 2mm Flat Washer</p>  <p>(H-B) 10 pcs.</p>	<p>Ø5/16" × 12 × 3mm Spring Washer</p>  <p>(H-C) 10 pcs.</p>
<p>5mm Allen Wrench</p>  <p>(H-D) 1 pc.</p>	<p>Headboard Panel</p>  <p>(H-E) 1 pc.</p>	<p>Left Leg</p>  <p>(H-F) 1 pc.</p>
<p>Right Leg</p>  <p>(H-G) 1 pc.</p>	<p>Bottom Stretcher</p>  <p>(H-H) 1 pc.</p>	



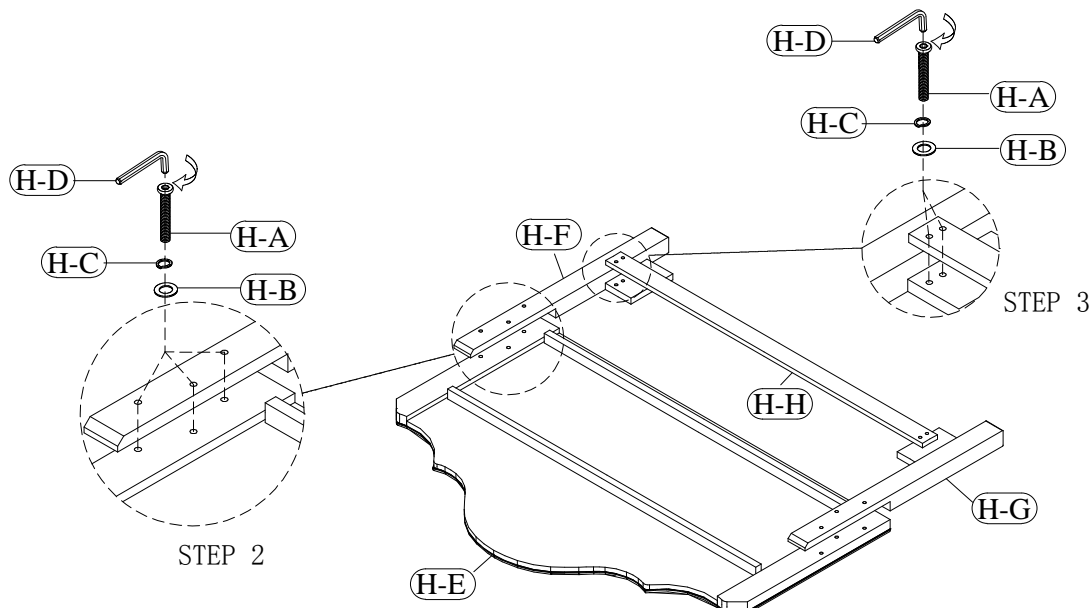
21570 4/6-5/0 Panel Headboard
21580 6/0-6/6 Panel Headboard

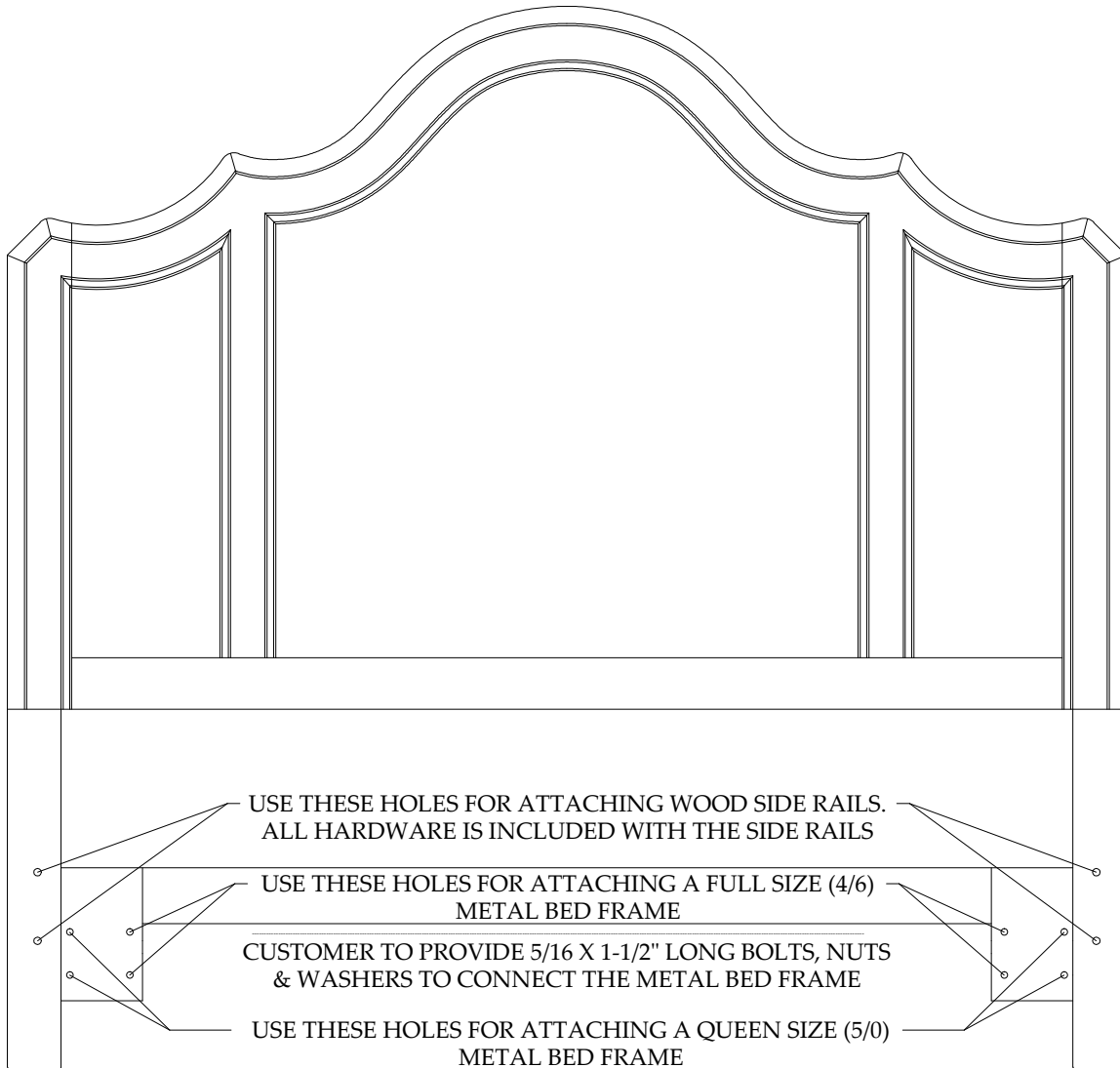
Be sure to check all packing material carefully for small parts, which may have come loose inside the carton during shipment. To prevent possible scratches or damage, this furniture should be assembled on a soft surface such as a blanket or carpet.

ASSEMBLY STEPS:

1. Place the Headboard Panel face down on the soft surface.
2. Attach the Left Leg (H-F) and the Right Leg (H-G) to the back of the Headboard Panel using the Allen-Head Bolts (H-A), Spring Washers (H-C) and Flat Washers (H-B). Do not fully tighten Bolts until after next step.
3. Attach the Bottom Stretcher (H-H) to the Legs as shown using the same Bolts and Washers as before.
4. Tighten all Bolts using the Allen Wrench (H-D).

Carefully lean the assembled Headboard against the wall where the bed will be used.





CUSTOMER TO PROVIDE 5/16 X 3" LONG BOLTS, NUTS &
WASHERS TO CONNECT THE METAL BED FRAME

5/0 Queen Panel Bed
21570 -- 4/6-5/0 Panel Headboard
21572 -- 5/0-6/6 Bed Rails
21571 -- 5/0 Panel Footboard w/Slats
OR
21577 -- 5/0 Straight Panel Footboard w/Slats

*The Headboard may be used alone
with a Queen or Full Size
Metal Bed Frame*

