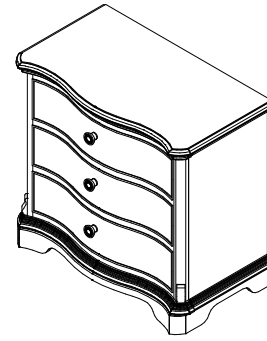
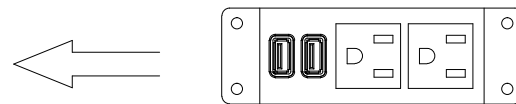
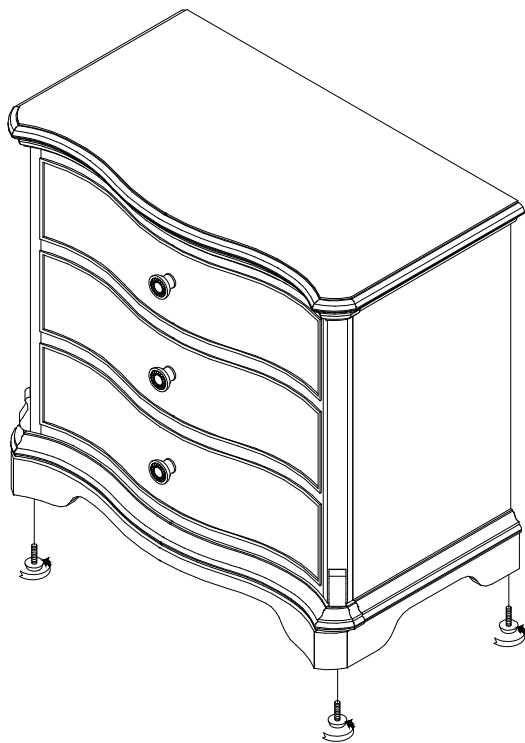


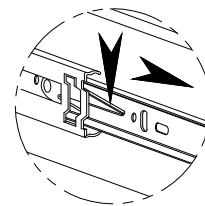
Be sure to check all packing material carefully for small parts, which may have come loose inside the carton during shipment.



21569 & 21769
3 DRAWER NIGHTSTAND



There is a two-outlet power bar with USB port mounted at the back, which can be used to conveniently supply power to personal electronic devices or other accessories, when plugged into a wall outlet.



To remove the drawer if it ever becomes necessary:

- Pull the drawer fully open so the black latch is visible in the inside channel of the guides.
- Release the latches by simultaneously pushing one lever up and the other down.
- At the same time, pulling the drawer forward until the slides release.

To reinstall the drawers, carefully align the channels of both guides and push drawer back in until fully closed. Open and close drawer fully a couple times to verify proper operation.

There are Levelers located underneath all four corners, which can be adjusted to compensate for uneven flooring if needed. To adjust, after determining which leveler needs adjusting, carefully have one person tilt the dresser while another person reaches underneath, adjusting the leveler as needed.