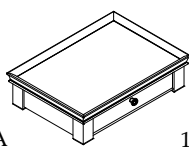
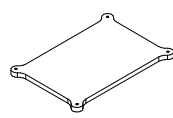


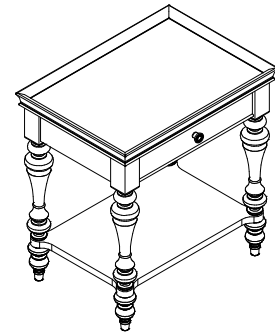


Components and Hardware List

<p>Table Top</p>  <p>A 1 pc.</p>	<p>Shelf</p>  <p>B 1 pc.</p>	<p>Center Legs</p>  <p>C 4 pcs.</p>
<p>Bottom Legs</p>  <p>D 4 pcs.</p>		

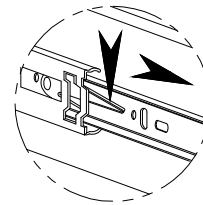
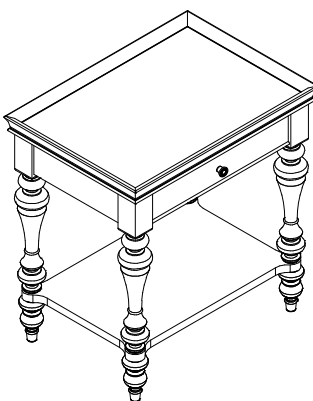
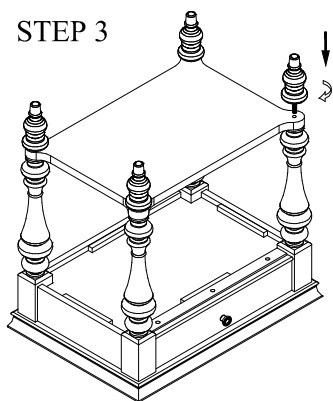
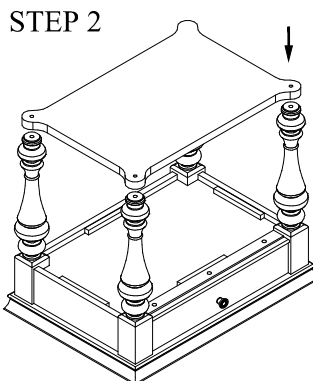
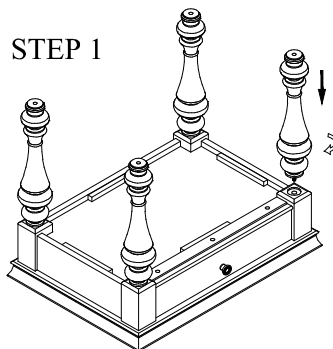


21568
LEG NIGHTSTAND
MARBLE TOP & WITH DRAWER

Be sure to check all packing material carefully for small parts, which may have come loose inside the carton during shipment.

ASSEMBLY STEPS:

1. Place the Table Top upside down on a soft surface such as a blanket or carpet. Screw the bolts of the Center Legs (C) to the Top as shown.
2. Place the Shelf (B) onto the Center Legs, aligning holes at corners as shown.
3. Screw the bolts of the Bottom Legs (D) through the Shelf, into the Center Legs as shown. Tighten hand snug.
4. Set the completed Night Stand upright. Assembly is complete.



To remove the drawer if it ever becomes necessary:

- A. Pull the drawer fully open so the black latch is visible in the inside channel of the guides.
- B. Release the latches by simultaneously pushing one lever up and the other down.
- C. At the same time, pulling the drawer forward until the slides release.

To reinstall the drawers, carefully align the channels of both guides and push drawer back in until fully closed. Open and close drawer fully a couple times to verify proper operation.